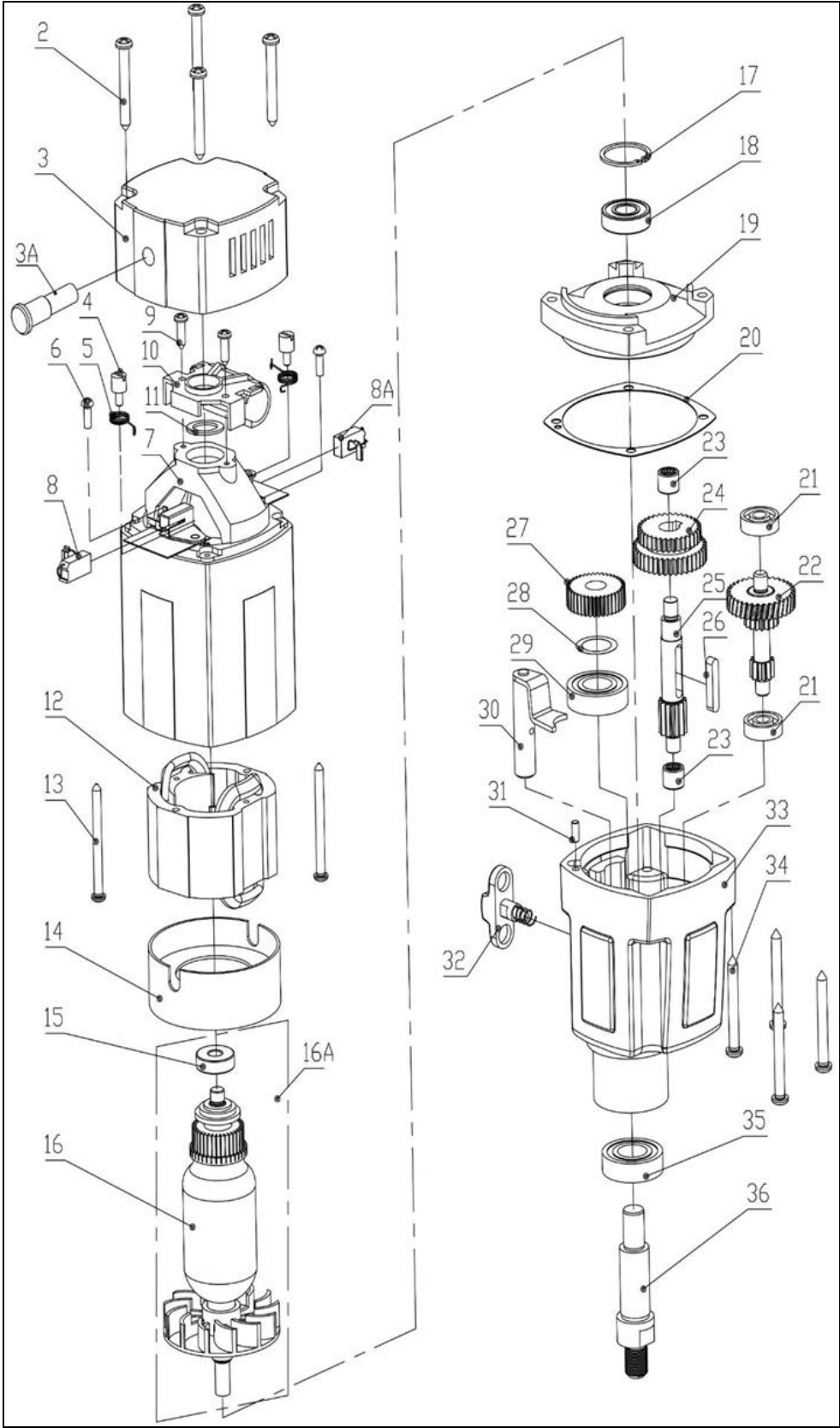
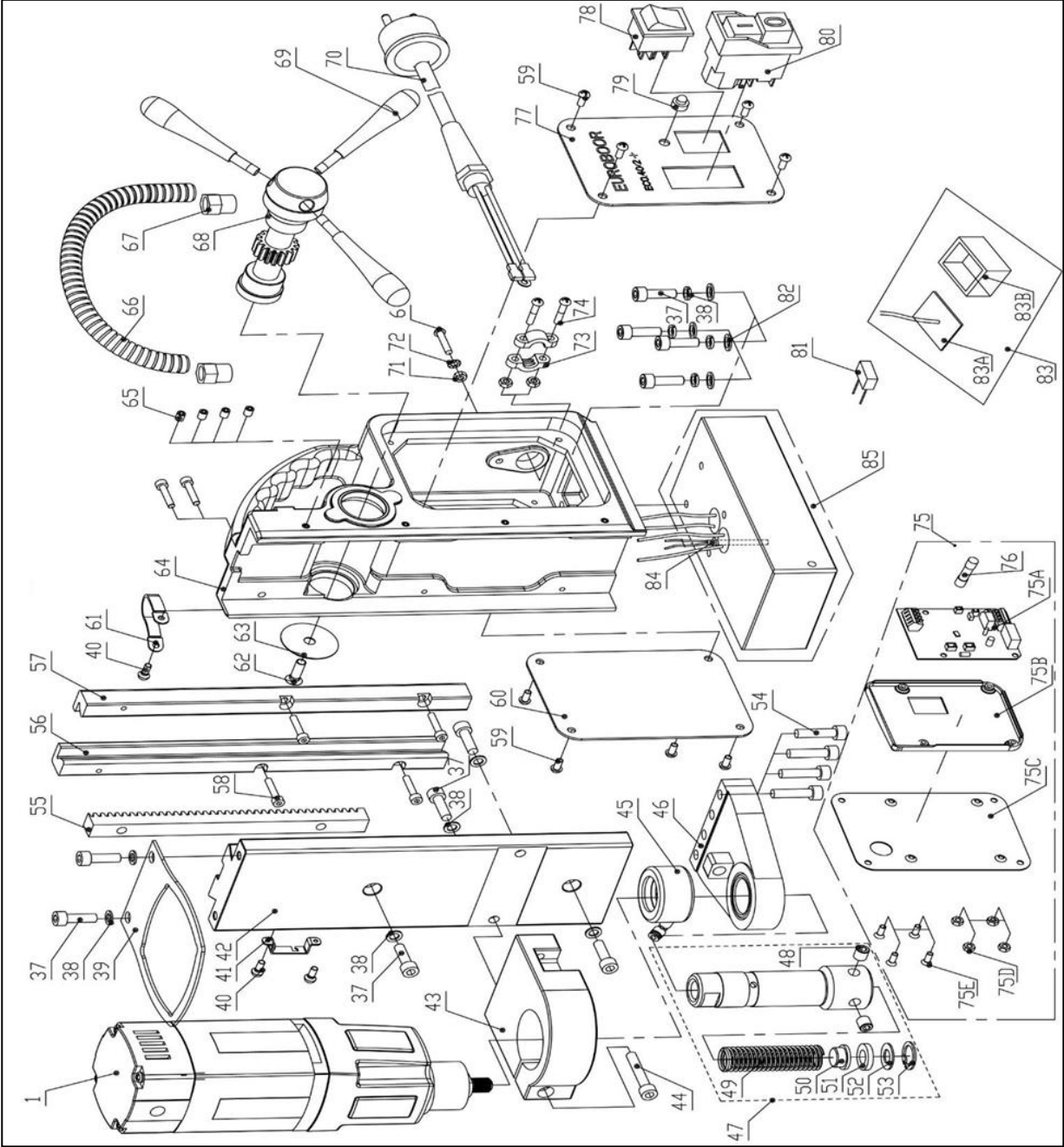
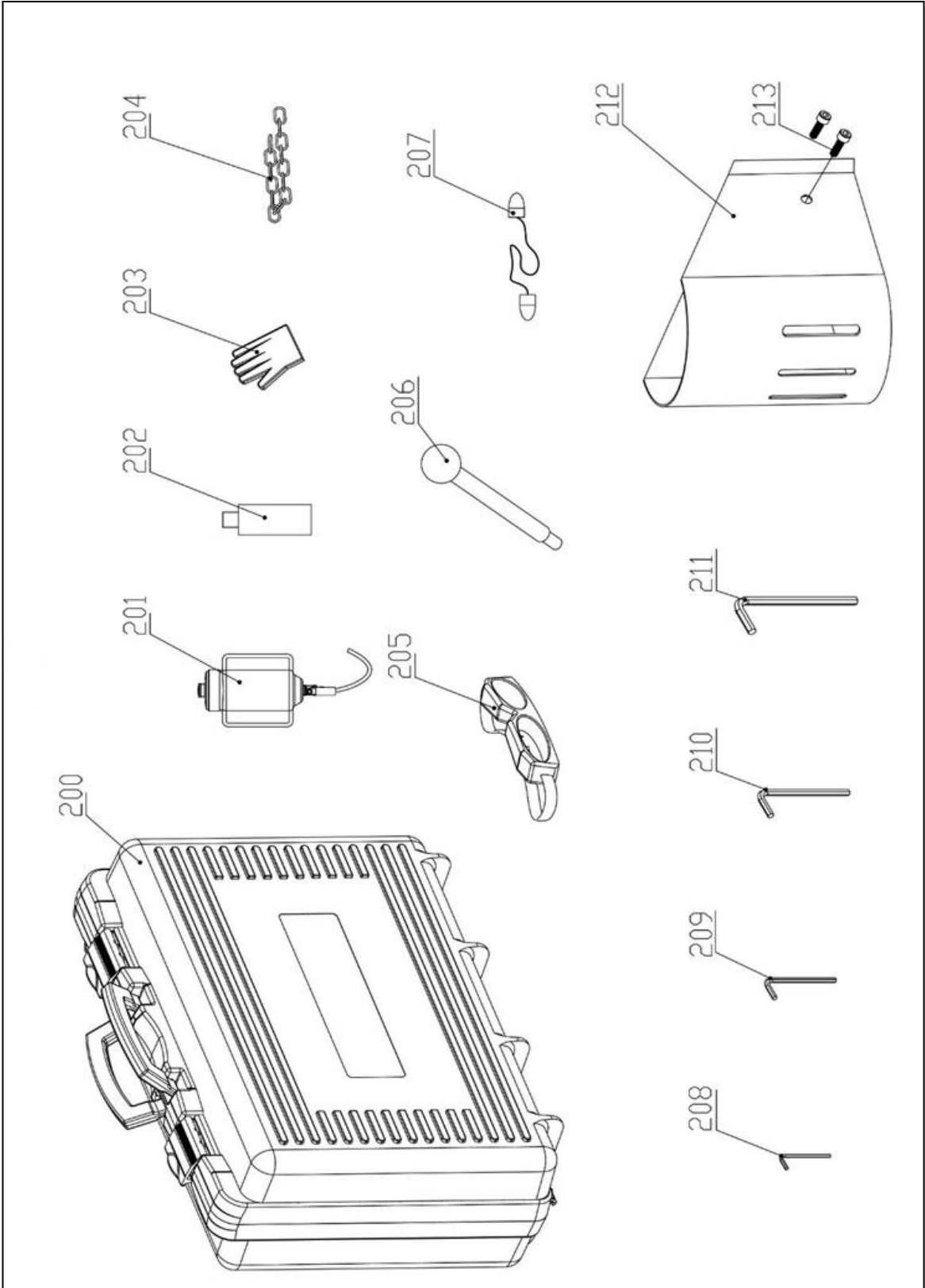


Exploded views & spare parts list

Exploded views







Spare parts list

No.	Part no.	Description	Qty
1	040.1001Z	ECO.40/2+ motor unit 220V ext. cable	1
	040.1001ZA	ECO.40/2+ motor unit 110V ext. cable	
2	036.0043	Torx screw M4.8 x 55	4
3	032.0111Z	End cover 110 - 220 Volt	1
3A	020.0278	Led indicator red alarm 110 - 220 Volt	1
4	032.0136	Screw for spring	2
5	032.0141-1	Spring	2
6	020.0181A	Screw M4 x 15	3
7	032.0241	Housing incl. carbon brush holder	1
8	032.0146	Carbon brush set 220V	1
	032.0147	Carbon brush set 110V	
8A	032.0146AUTO	Carbon brush 110 - 220 Volt	1
9	032.0116	Screw M4 x 16	2
10	032.0131-1	Adapter ring cap	1
11	100.0486	Washer 14 x 22	1
12	040.0276	Field 220V	1
	040.0277	Field 110V	
13	032.0156	Screw BK 4 x 55	2
14	032.0161	Baffle	1
15	032.0126	Bearing 608ZZ 8 x 22 x 7	1
16A	040.0266	Armature 220V	1
	040.0267	Armature 110V	
17	032.0166	Circlip 472/28/1.2	1
18	032.0171	Bearing 6001ZZ 12 x 28 x 8	1
19	040.0146	Inner gear plate	1
20	032.0125	Gasket	1
21	032.0221	Bearing 608 8 x 22 x 7	2
22	040.1004	Bevel gear assembly	1
23	040.0161	Needle bearing HK0810	2
24	040.0171/2	Gear 34/28 ECO.40/2 2015-01-> (13.81 mm)	1
25	040.0231	Axle	1
26	040.0301	Key	1
27	040.0176	Spindle gear	1
28	040.0181	Adapter ring	1
29	040.0086	Bearing 6001 DDU	1
30	040.0291	Clutch shaft	1
31	032.0211	Casing pin 4 x 12	1
32	040.0286	Gear switch	1
33	040.0242	Gear casing complete	1
34	032.0106	Screw BK4.8 x 55	4
35	040.0196	Bearing	1
36	040.0191	Spindle drive shaft	1
37	020.0156	Bolt M6 x 20	10

No.	Part no.	Description	Qty
38	020.0111	Washer M6 DIN7980	10
39	040.0041	Motor fixing plate 110 mm	1
40	020.0063	Screw M5 x 20	3
41	020.0289	Tank holder	1
42	040.0011	Slide	1
43	032.0026	Motor holder HD 66 mm	1
44	020.0146B	Screw M6 x 35	1
45	020.0145/2	Coolant ring quick steel, for 020.0142/2	1
46	020.0142/2	Steady auto coolant, for 020.0145/2	1
47	020.0116	Spindle complete 112 mm	1
48	020.0136	Grub screw M8 x 8	2
49	020.0121	Spindle spring set	1
50			
51			
52			
53			
54	020.0146	Screw M6 x 25	4
55	032.0016	Rack	1
56	020.0086/X	Rail set Aluminium (L/R) L-profile	1
57			
58	020.0086/S	Rail screw for Mark II frame SS M4 x 20	6
59	020.0101	Panel screw BKVZ M4 x 8	8
60	PP.RSEU-220	Rear Panel EB 220V	1
	PP.RSEU-110	Rear Panel EB 110V	
61	020.0298	Motor cable clamp	1
62	020.0081	End screw BKVZ M6 x 16	1
63	020.0077	End plate	1
64	020.0056/X	Frame aluminium rail (L)	1
65	020.0056/S	Screw SS M5 x 6	4
66	360.1040	Motor cable cover	1
67	020.0041/H	Coupling nut PG9 (motor cable)	2
68	020.0061/X	Capstan hub assembly	1
69	020.0315	Arm for capstan	3
70	020.0036	Main cable 220V EU	1
	020.0036/AU	Main cable Australia	
	020.0036/UK	Main cable UK 220v	
	020.0036/UK 110-16A	Main cable UK 110v 16A	
	020.0036/USA	Main cable USA	1
	020.0031	Coupling nut PG11 (main cable)	1

No.	Part no.	Description	Qty
71	360.1103	Nut M4	1
72	040.0286F	Washer M4	1
71	020.0037	Cable clamp complete	1
73			
74			
75	032.1008ZQ	Control unit 110-220V 2 pins	1
76	020.0017	Fuse 5 x 20 F2A	1
77	040+.0003X	Front panel ECO.40/2+	1
78	020.0011-1	Magnet switch	1
79	020.0206	LED indicator set	1
80	030E.0091/Y	Motor switch 220V (5-pin) YELLOW	1
	030E.0092/Y	Motor switch 110V (5-pin) YELLOW	
81	020.0257	Capacitance	1
82	020.0112	Washer M6	4
83	055.1041	Gyroscope PCB set	1
84	100.1008	Sensor	1

No.	Part no.	Description	Qty
85	032.1022	Magnet 220 Volt	1
	032.1022A	Magnet 110 Volt	
200	040/2+.2010	Case ECO.40/2+ with sticker	1
201	KSP.Q2	Coolant tank Quick Connect 2015	1
202	IBO.0.2L	Bottle 0.2LTR	1
203	SAF.300	Protective gloves	1
204	SAF.400	Safety chain (1 mtr) with lock	1
205	SAF.100	Safety goggles	1
206	KSP.P	Pin and knob for cooling tank	1
207	SAF.200	Ear plugs	1
208	IMB.US2.5	Allen key 2.5 mm	1
209	IMB.US3	Allen key 3.0 mm	1
210	IMB.US4	Allen key 4.0 mm	1
211	IMB.US5	Allen key 5.0 mm	1
212	SAF.MDMS	Safety guard small	1
213	020.0223	Screw M5 x 10	2