

Spare parts - Version 2
Serial number: 1610xxx –

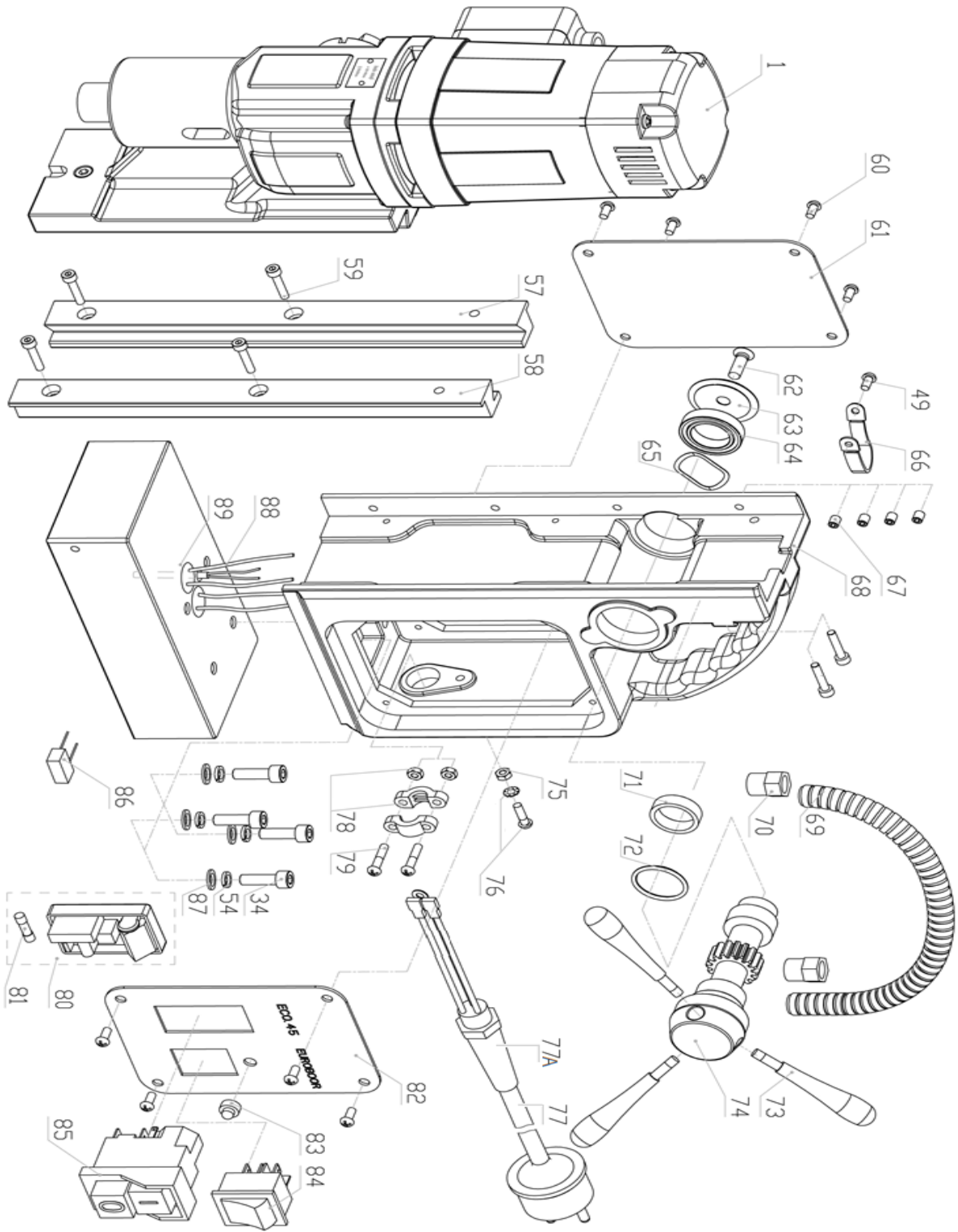
 **EUROBOOR**
FOR PROFESSIONALS BY PROFESSIONALS

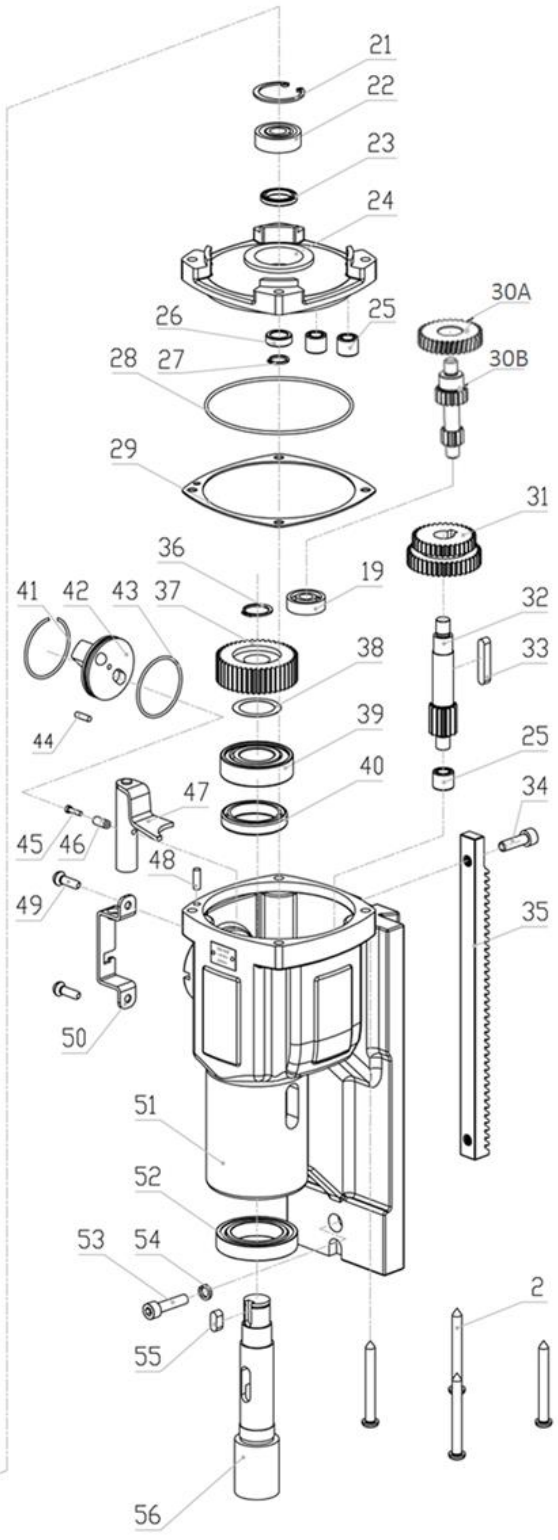
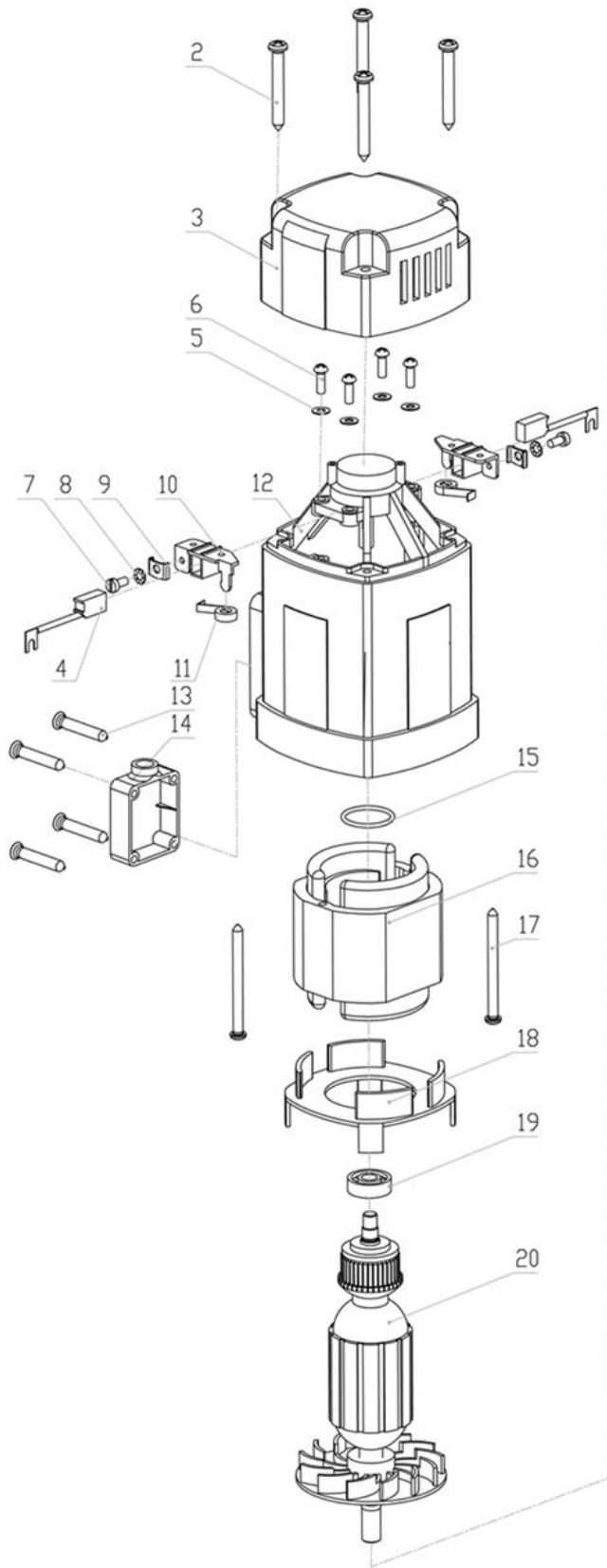
Magnetic drilling machine

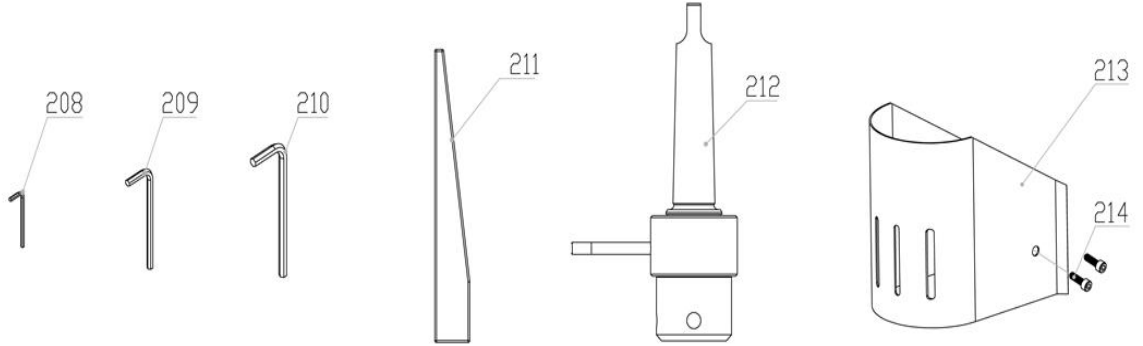
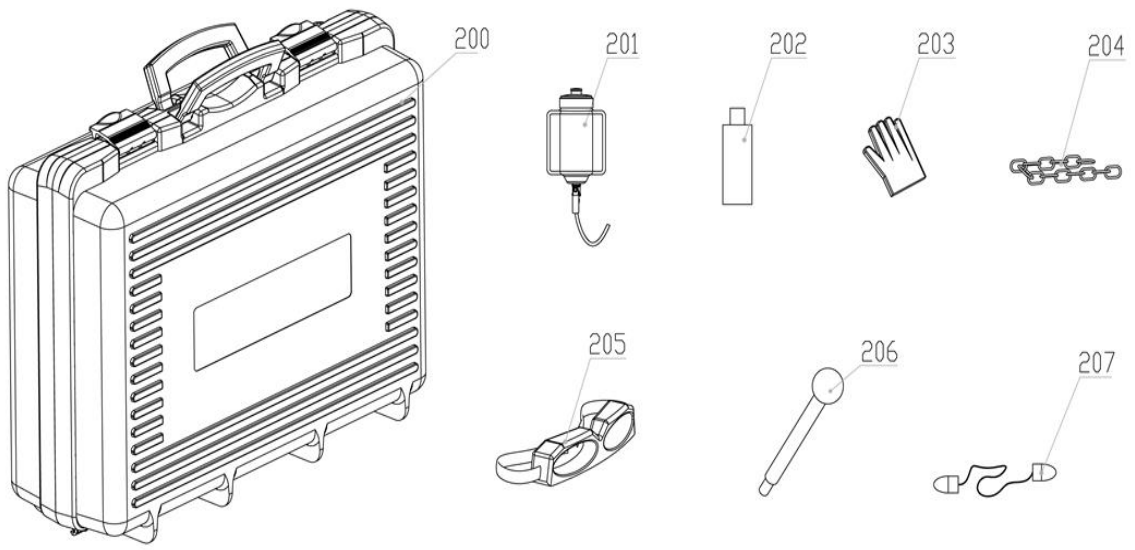
ECO.50S – V2

Is your serial number missing? Please contact Euroboor and ask them for more information.

Last update: August 25th, 2020







No	Part number	Description	Qty
1	040.1001	Motor unit 220-230V	1
	040.1001A	Motor unit 110-120V	
2	050.0106	Screw M5X45	8
3	050.0111	End Cover	1
4	050.0147	Carbon brush set 220V	1
	050.0148	Carbon brush set 110V	
5-11	050.0371	Carbon brush holder	2
12	050.1009	Housing	1
13	050.0587	Screw pkvz 4,8 x 35	4
14	050.0586	Cable Housing	1
15	050.0116	Adaptor Ring	1
16	050.0276	Field 220-240 V	1
	050.0277	Field 110-120 V	
17	020.0328	Screw M4 x 70	2
18	050.0261	Baffle	1
19	032.0126	Bearing 8x22x7 608	1
20	050.0181	Armature 220-240 V	1
	050.0186	Armature 110-120 V	
21	032.0166	Circlip 472/28/1.2	1
22	032.0171	Bearing 6001 12 x 28 x 8	1
23	050.0064	Oil bearing 15 x 21 x 3	1
24	050.0236/Y	Inner gear plate	1
25	040.0161	Needle bearing HK 0810	3
26	050.0065	Metal ring diam. 40	1
27	050.0176	Circlip ϕ 10	1
28	050.0071	O-ring 82 x 1.8	1
29	050.0207	Gasket middle	1
30A	050.0251	First gear	1
30B	050.0246	Gear shaft	1
31	050.0171	Gear 34/40Z	1
32	050.0231	Axle 13T	1
33	100.4496	Key 5x5x28	1
34	020.0156	Screw SSM6x20	5
35	050.0074	Rack - 1.5X39T	1
36	050.0076	Circlip diam. 20	1
37	050.0463	Gear 1 x 45T	1
38	050.0462	Washer 20.5 x 28 x 0.2	1
39	030.0009	Bearing 6004DDU	1
40	050.0066	Oil bearing 28 x 38 x 7	1
41	050.0078	Ring 41.5 x 36.5 x 1.5	1
42	050.1014	Gear Switch	1
43	050.0081	O-ring	1
44	050.0025	Pin	1
45	020.0329	Screw M4 x 16	1
46	050.0082	Screw holder	1
47	050.1005A	Clutch shaft	1
48	032.0211	Casing pin 4 x 12	1
49	020.0063	Screw	3
50	KSP.M/3	Coolant hanger	1

No	Part number	Description	Qty
51	040.1008	Gear casing	1
52	050.0068	Bearing 61906DDU	1
53	020.0146	Screw M6 x 25	1
54	020.0111	Washer M6 DIN7980	5
55	050.0077	Key 6 x 6 x 12	1
56	050.0461	Spindle drive shaft - MC3	1
57	020.0086/Z	Rail set Aluminium (L + R) Z-profile	1
58			
59	020.0086/S	Rail screw for Mark II frame SSM4x20	6
60	020.0101	Panel Screw 4x8	8
61	055.0002	Rear panel plate 230V	1
	055.0002A	Rear panel plate 110V	
62	020.0081	End Screw	1
63	050.0030	Ender cover diam. 36 X 3	1
64	050.0063	Bearing 6804ZZ	1
65	040.0023	Washer	1
66	020.0298	Motor cable clamb	1
67	020.0516	Screw	4
68	020.0056/Z	Frame	1
69	020.0046	Motor cable complete	1
70	020.0041/H	Coupling nut (motor cable) PG9	2
71	032.0127	Metal bearing	1
72	030.0027	Washer	1
73	020.0315	Arm for capstan	3
74	020.0061/XB	Capstan hub assembly black	1
75	020.0182	Grounding Screw/washer/Nut	1
76			
77	020.0036	Main cable complete 220-240V	1
	020.0036/AU	Main cable Australia	
	020.0036/UK	Main cable UK 220v	
	020.0036/UK 110-16A	Main cable UK 110v 16A	
	020.0036/USA	Main cable USA	
77A	020.0031	Coupling nut (Main cable) PG11	1
78	020.0037	Cable clamp	1
79			
80	020.0001/2	Control unit 220V	1
	020.0001/21	Control unit 110V	
81	020.0017	Fuse 2A	1
82	PP.50s	Front panel	1
83	020.0206	LED indicator set	1
84	020.0011	Magnet switch	1
85	030E.0091/Y	Motor switch (5-pin) 220-240V	1
	030E.0092/Y	Motor switch (5-pin) 110-120V	
86	020.0257	Capacitance	1
87	020.0111	Washer M6 DIN7980	4
88	020.0201	Sensor	1
89	050.1025	Magnet 220-240V	1
	050.1025A	Magnet 110-120V	

200	CAS.50S	Black case with inlay	1
201	KSP.Q2	Coolant System Quick Connect	1
202	IBO.10.200	Cutting Oil 200ml	1
203	SAF.300	Protective gloves	1
204	SAF.400	Safety chain (1 mtr) with lock	1
205	SAF.100	Safety goggles	1
206	KSP.P	Pin and knob for cooling tank	1
207	SAF.200	Ear plugs	1
208	IMB.US2.5	Allen key 2.5 mm	1
209	IMB.US4	Allen key 4.0 mm	1
210	IMB.US5	Allen key 5.0 mm	1
211	DRIFT3	Drift MT3	1
212	IMC.30/19-N	Arbor MT3 - 19.05 (3/4") Weldon	1
213	SAF.MDMB	Safety Guard	1
214	020.0511	Bolt M5x10	2