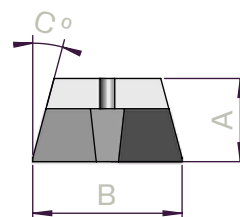
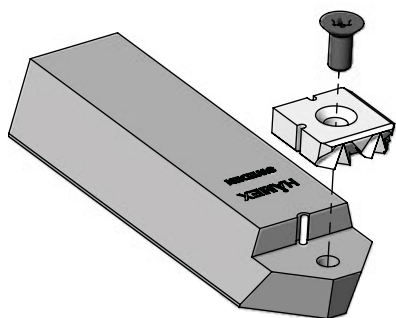
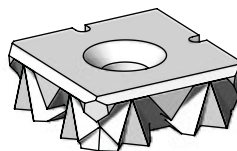
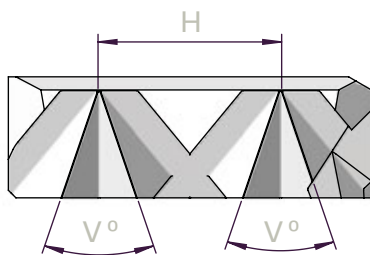


Company	Date	Contact
---------	------	---------



Type	
L	
A	
B	
C°	

Diamond



Type	
∅ D	
V°	
H	

Star

