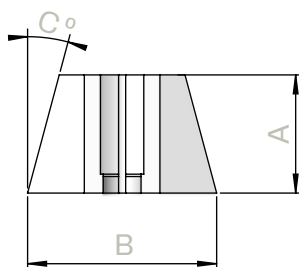
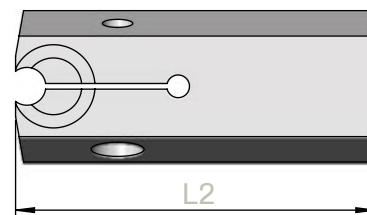
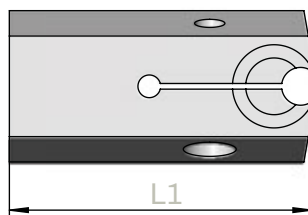
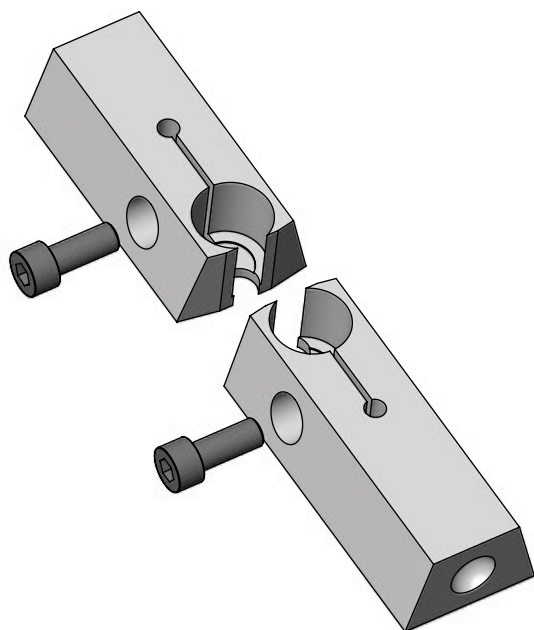


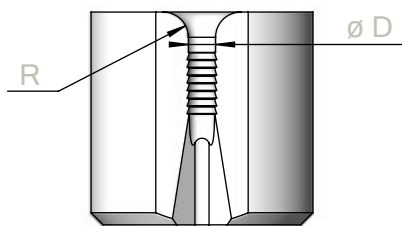
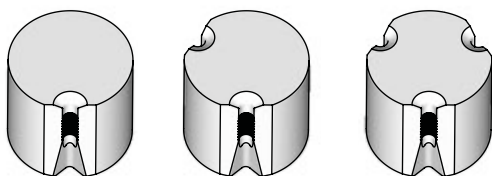
Company	Date	Contact
---------	------	---------

## Die Holder

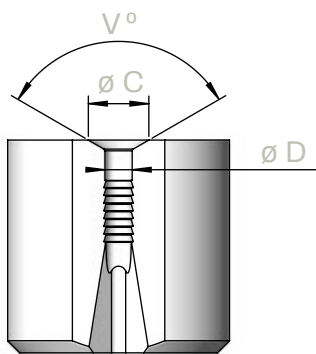


Type	
L1	
L2	
A	
B	
C°	

## Die Inserts



Radius

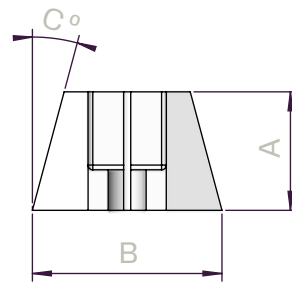
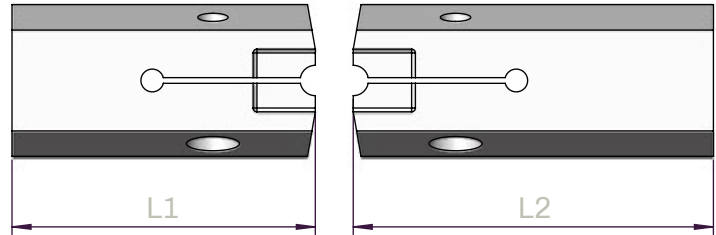
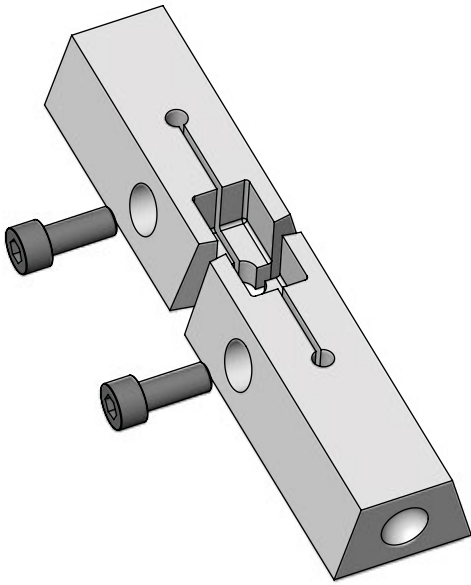


Countersunk

Type	
Ø D	
R	
Ø F	
V°	

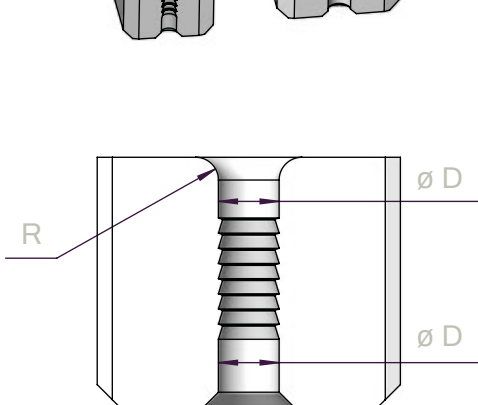
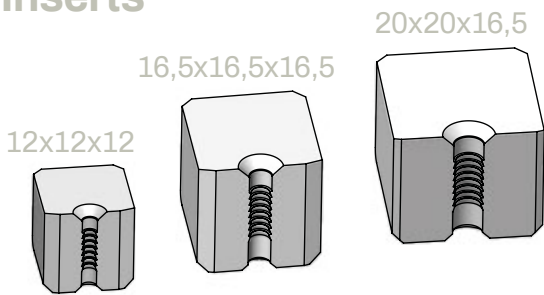
Company	Date	Contact
---------	------	---------

## Die Holder

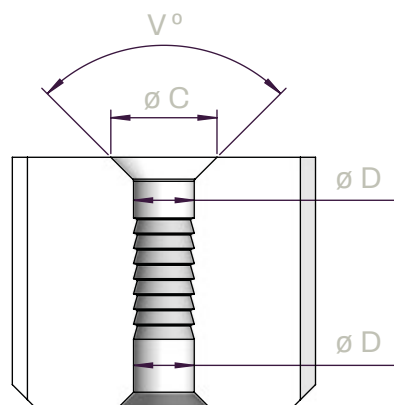


Type	
L1	
L2	
A	
B	
C°	

## Die Inserts



Radius



Countersunk

Type	
Ø D	
R	
Ø C	
V°	