



## Condensate Vessel CV-3, CV-6, CV-10

In extractive gas analysis the sample gas must be conditioned before it enters the measuring cell of the analyser.

One of these conditioning stages is moisture precipitating in so-called sample gas coolers.

This condensate must be properly removed from inside the analysis cabinet. In applications where it is not corrosive or toxic, it can then be discharged into drains or channels on site. However, often times it must first be collected for intermediate storage and properly disposed of at a later time.

The CV-3 to CV-10 series feature vessels in suitable materials with or without fill level monitor for intermediate storage inside or on the system.

Vessel sizes 3 L / 6.5 L / 10 L

Chemically resistant materials

Level switch for monitoring maximum level available (optional)

Low maintenance

Easy handling

Removable top cover

Robust mounting bracket



Technical Data

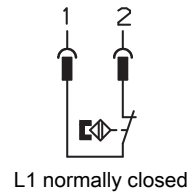
Technical Data Condensate Vessels

Material:	PVC, PVDF, PP, Viton
Medium temperature:	max. 60 °C
Connections:	G3/8 and G1/4 for condensate inlet and ventilation G1/4 for outlet

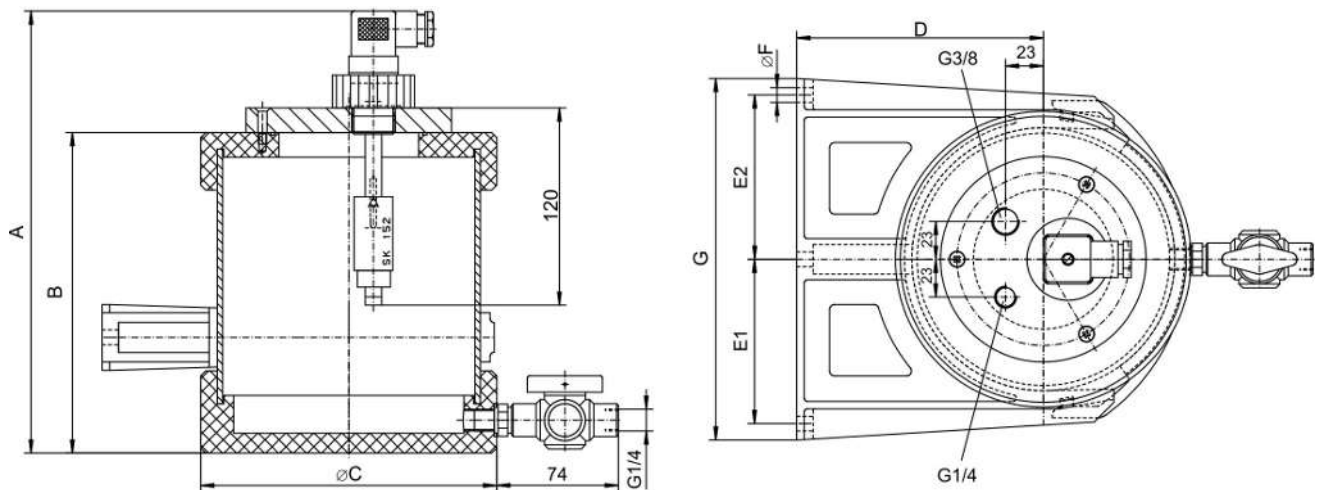
Level switch

Max. operating voltage:	230 V
Max. switching current:	0.5 A
Max. contact load:	10 VA

Contact function  
Float down  
(empty vessel)  
Contacts K8-MS



Dimensions



Vessel type	A (mm)	B (mm)	C (mm)	D (mm)	E1 (mm)	E2 (mm)	F (mm)	G (mm)
V = 3 L	269	195	Ø 180	150	100	100	3 x Ø9	220
V = 6.5 L	344	270	Ø 225	175	120	150	2 x Ø13	310
V = 10 L	454	380	Ø 225	175	120	150	2 x Ø13	310

**DANGER**

**Use in explosive areas**



The equipment is **not** suitable for use in explosive areas.

**DANGER**

**Toxic, corrosive condensate**



- a) Protect yourself from toxic, corrosive condensate when performing any type of work.
- b) Wear appropriate protective equipment.
- c) Please note the national safety rules!



Ordering instructions

Item no.	Description
44 10 085	Condensate vessel CV-3, V = 3 L without level switch
44 10 088	Condensate vessel CV-3-NS, V = 3 L with level switch
44 10 096	Condensate vessel CV-6-NS, V = 6.5 L with level switch
44 10 097	Condensate vessel CV-6, V = 6.5 L without level switch
44 10 094	Condensate vessel CV-10-NS, V = 10 L with level switch
44 10 095	Condensate vessel CV-10, V = 10 L without level switch
44 10 0943	Level switch Nivotemp M-K8MS-PVDF-L120