

Sample Gas Cooler EGK 2A Ex



Accurate measurements of gases require gas samples with stable dew points even under harsh ambient conditions.

The EGK models provide a CFC-free, compressor-type cooling system connected to a cooling block. The cooling block evenly dissipates the heat thus supporting the highly efficient heat exchangers. The temperature of the cooling block is regulated by the **Bühler Constant Regulating System**. This system allows smooth regulation and eliminates the disadvantages of the traditional on-off operating mode.

The controller is self-checking. Significant deviation from the preset is signalled by a status output.

The temperature (in °C or °F) of the cooling block is shown on a programmable LED-display. The status is indicated by a flashing display which shows too high or low temperature and operates together with a relay in fail-safe mode.

Condensate is removed either into condensate vessels or by automatic condensate drainers which can be attached to the heat exchangers within the cooler's outer contour.

- **ATEX certificate Zone 1 (Cat. 2G)**
- **CFC-free**
- **Nominal cooling capacity 615 kJ/h**
- **1 or 2 heat exchangers can be inserted: up to 4 gas paths**
- **Self-checking with status output**
- **Status display and status output**
- **Simple operation and test**
- **Easy to install**
- **Condensate draining can be mounted inside of outer shape**
- **Automatic start selectable**

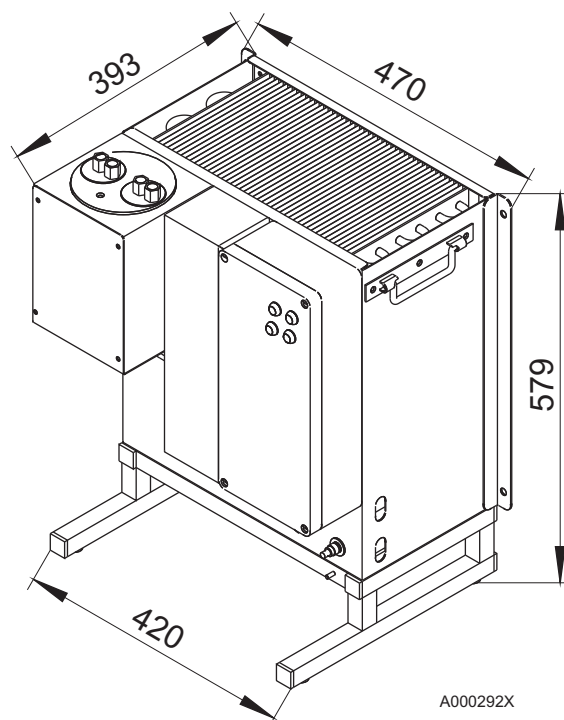
Technical Data

ATEX-class	Ⓔ II 2 G Ex px e mb q [ia] IIC T4 Gb
Ready for operation	after max. 20 minutes
Cooling capacity (at 25 °C)	> 615 kJ/h (170 W)
Ambient temperature	0 °C to 45 °C
Dew point adjustable	2 °C to 20 °C, factory setting 5 °C
Alarm threshold adjustable with respect to dew point	
upper alarm threshold	1 °C to 7 °C, factory setting 3 °C
lower alarm threshold	-1 °C to -3 °C, factory setting -3 °C
Dew point stability static	± 0.2 K (with st. steel) ± 0.5 K (with PVDF)
Over whole spec. Range:	± 2 K
Power supply	230 V, 50/60 Hz or 115 V, 50/60 Hz
Power consumption	250 VA (230 V) 300 VA (115 V)
Fuse	motor protection switch
Potential-free status outputs (fail-safe)	230 V / 3 A AC 115 V / 3 A AC 24 V / 1 A DC
Protection class electrically	IP 54
Housing material	stainless steel / polyester
Installation	upright or against wall
Dimensions (H x W x D)	approx. 700 mm x 500 mm x 500 mm
Weight incl. 2 heat exchangers	approx. 37 kg

Description

The flashing display and the status relays indicate the conditions are below or above the configured warning range (e.g. after switching on). If the cooler is stopped or in the event of service, an error code will appear.

Dimensions (mm)



Heat Exchanger

The energy content of the sample gas and, as a result, the required cooling capacity of the gas cooler is determined by 3 parameters: gas temperature ϑ_G , dewpoint τ_e (moisture content) and flow v . The outlet dew point rises with increasing energy content (heat) of the gas. The required cooling capacity is determined by the maximum acceptable level of the outlet dew point.

The following table shows cooler performance assuming the following conditions: $\tau_e=65^\circ\text{C}$ and $\vartheta_G=90^\circ\text{C}$. Indicated is the v_{max} in l/h cooled air (i.e. after the moisture has condensed). If the actual values stay below the parameters τ_e and ϑ_G , v_{max} can be increased. For example (TG), instead of $\tau_e=65^\circ\text{C}$, $\vartheta_G=90^\circ\text{C}$ and $v=250$ l/h the values $\tau_e=50^\circ\text{C}$, $\vartheta_G=80^\circ\text{C}$ and $v=350$ l/h could be achieved.

Please contact one of Buhler's application specialists for assistance and further information.

Heat Exchanger	TS	TG	TV	DTS	DTG	DTV ⁴⁾
Flow rate v_{max} ¹⁾	530 l/h	280 l/h	125 l/h	2*250 l/h	2*140 l/h	2*115 l/h
Inlet dewpoint $\tau_{e,\text{max}}$ ¹⁾	80 °C	80 °C	65 °C	80 °C	65 °C	65 °C
Gas inlet temperature $\vartheta_{G,\text{max}}$ ¹⁾³⁾	180(135) °C	135°C	135 °C	180(135) °C	135 °C	135 °C
Max. cooling capacity Q_{max}	450 kJ/h	230 kJ/h	120 kJ/h	450 kJ/h	230 kJ/h	185 kJ/h
Gas pressure p_{max}	160 bar	3 bar	3 bar	25 bar	3 bar	2 bar
Pressure drop Δp ($v=150$ l/h)	8 mbar	8 mbar	8 mbar	each 5 mbar	each 5 mbar	each 15 mbar
Dead volume V_{tot}	69 ml	48 ml	129 ml	28/25 ml	25/25 ml	each 21 ml
Sample gas connections	G 1/4" i ²⁾	GL 14	DN 4/6	tube 6mm	GL 14	DN 4/6
Condensate out connections	G 3/8" i ²⁾	GL 25	G 3/8" i	tube 10mm	GI184	DN 5/8

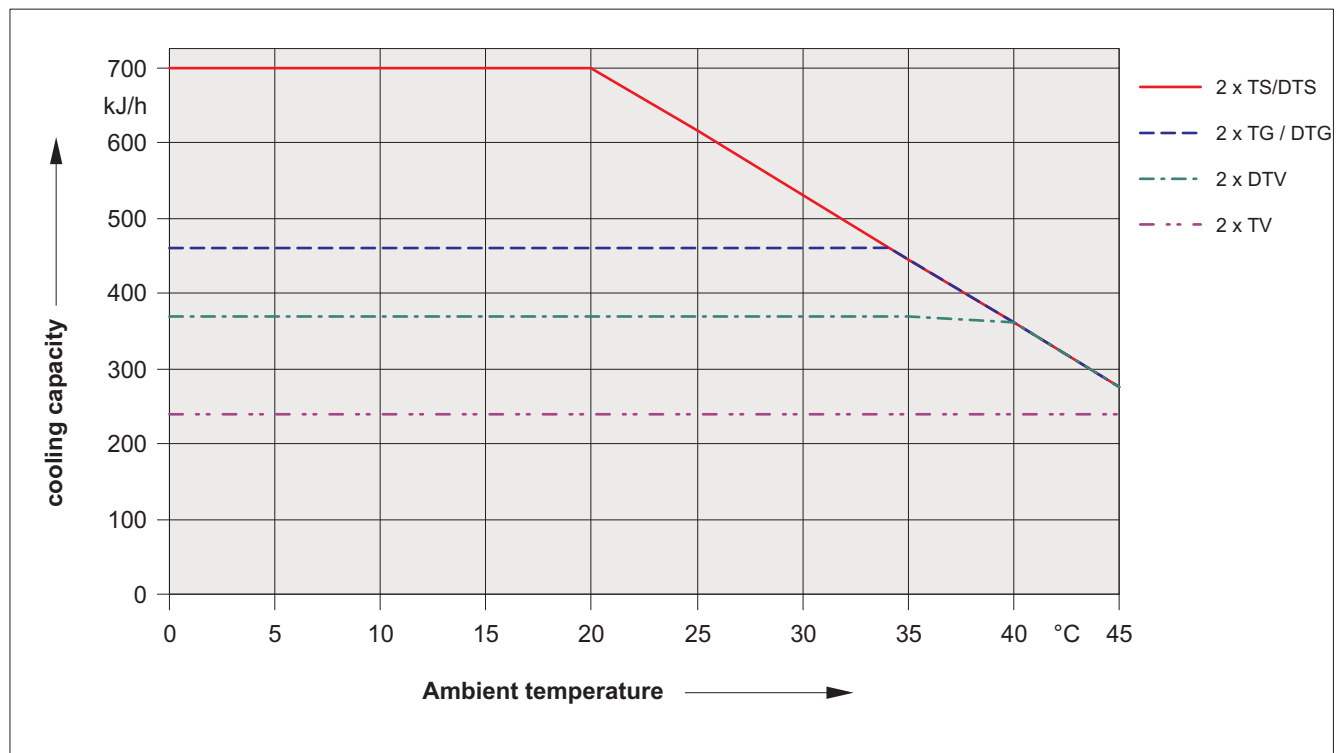
¹⁾ With maximum heat transfer of the heat exchanger and max. cooling capacity of the cooler

²⁾ NPT-threads upon request

³⁾ Values in parentheses due to temperature class

⁴⁾ Use of automatic condensate drainers and glass vessels not possible

Performance Data



Please indicate with order

Please extract the part number for the cooler fulfilling your requirements from the type code below.

Please note: Each gas path should be equipped with a peristaltic pump or an automatic condensate drain.

Part No.	4	5	9	0					0	0	0	1	EGK 2A Ex
Power Supply¹⁾													
	1												
	2												
Gas Path / Material / Version													
	0	0	0										
1 Gas Path / Material / Version													
	1	1	0										
	1	2	0										
	1	3	0										
2 Gas Paths / Material / Version													
	2	1	0										
	2	2	0										
	2	3	0										
	2	6	0										
	2	7	0										
	2	8	0										
3 Gas Paths / Material / Version													
	3	1	0										
	3	2	0										
	3	3	0										
4 Gas Paths / Material / Version													
	4	6	0										
	4	7	0										
	4	8	0										
Condensate Discharge													
			0										
			3										
			4										

¹⁾ Operating the cooler in the hazardous area is allowed only with sufficient motor protector switch.

²⁾ Automatic condensate drains or condensate vessel cannot be connected.

Accessories

91 320 200 09	Motor protection switch mounted outside of hazardous area for cooler 230 V, 50/60 Hz
91 320 200 29	Motor protection switch mounted outside of hazardous area for cooler 115 V, 50/60 Hz
91 320 200 32	Motor protection switch mounted inside of hazardous area for cooler 230 V, 50/60 Hz
91 320 200 35	Motor protection switch mounted inside of hazardous area for cooler 115 V, 50/60 Hz
44 100 05	Condensate vessel GL 1; glass, 0,4 l
44 100 19	Condensate vessel GL 2; glass, 1 l