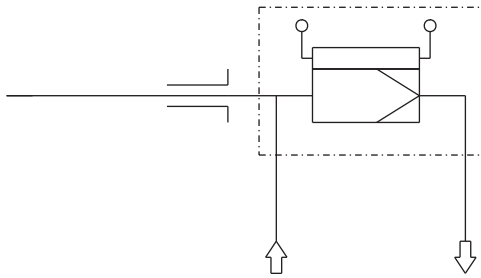


# Sample gas probe GAS 222.15

## Flow Diagram



## Description:

- Heated sample gas probe with downstream filter
- Filter element can be replaced without tools
- Effective insulation and protection shield
- Selfregulating 180 °C with low temperature alarm
- For dust concentration up to 2 g/m<sup>3</sup>
- Not for hazardous areas



## Technical Data:

- Material: 1.4571
- Seals: Graphite/1.4404 and see filter elements
- Operating temperature: max. 200 °C
- Max. working pressure: 6 bar
- Voltage: 115/230 V, 50/60 Hz
- Temperature: self-regulating +180 °C
- Low temperature alarm  
Contact is open at operating temperature,  
closes at < 140 °C, current max. 4 A
- Ambient temperature -20 to +80 °C

## Order information: Base unit:

- GAS 222.15 p/n 4622215

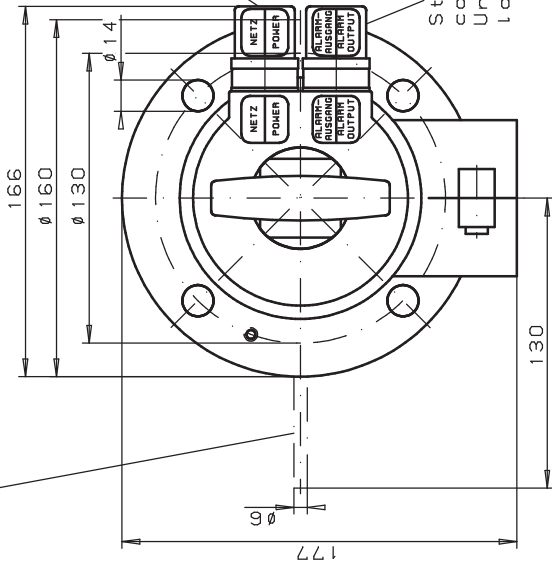
## Options:

To customize the base unit to meet the needs of any application, please refer to data sheet DE461099 "Accessories for Gas Sample Probes."

- Various probe tubes
- Unheated extensions
- Filters
- Calibration gas port
- ANSI flange 3"
- Mounting bracket for heated sample gas line

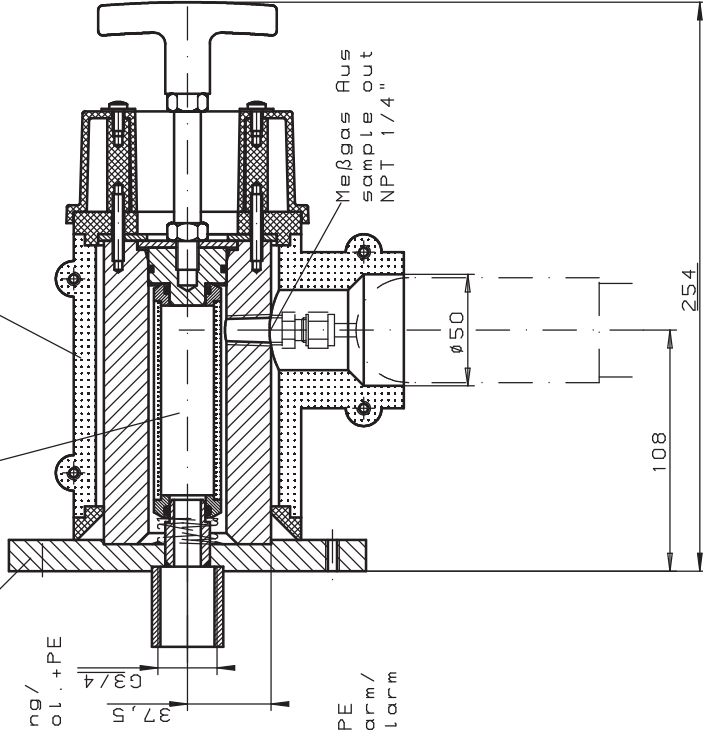
For general information see data sheet "Gas Sample Probes GAS 222" DE461000.

Option Kalibriergasanschluß Ø6/  
option calibration gas port Ø6



Flansch/flange DN65 PN6

Filter/filter  
Zubehör/accessories  
Isolierung/insulation



Steckverbindung/  
connector 3-pol.+PE  
Netz/power

Steckverbindung/  
connector 3-pol.+PE  
Untertemperaturalarm/  
low temperature alarm



GAS 222.15

Werkstoffe/materials

-Flansch, Kopf/flange, head  
-Betriebs-temp. Sonde/operating temp. probe  
-Heizung/heating  
-Temperatur/temperature

-Untertemperaturalarm/low temperature alarm  
max. Schaltstrom/max. current  
-Umgebungstemperatur/ambient temperature

1. 4571/SS 316TI  
max. 200 °C / 392 °F  
100-250VAC 400W  
180 °C / 356 °C  
selbstregelnd/self regulating  
150 °C / 302 °F  
4A  
- 20 bis/to + 80 °C  
- 4 bis/to +176 °F

Meßstab 1:2 (Gewicht)

Werkstoff:

Benennung:

**Gasentnahmesonde**  
**sample gas probe**  
**GAS 222.15**

Zeichn.-Nr. 46/068-01-3H

Art.-Nr. 4622215

ARBEITSANWEISUNG:

ALLE RECHTE  
VORBEHALTEN

Maße ohne  
Toleranzangabe  
nach ISO 2768-mk

h	19.04.02/Br	Datum	Name
g	28.08.01/Br	Bearb.	08.07.97/Br/inkomb
f	28.10.98/Br	Gepr.	
e	14.10.98/Br		
d	05.08.98/Br		
c	neu 10.11.97/Br		
b	neu 04.08.97/Br		BUHLER Meß+Regeltechnik
a	neu 08.08.97/Br		Rattingen

Zust. Hnd. Datum Name Ers für 46/068-01-4