

Switch Amplifiers for SM-6, SM-6-V

We offer various switch amplifiers for connecting the limit switches to flow meters.

These may only be installed outside explosive areas and have a number of additional safety or monitoring functions.

Mounts to 35 mm standard rail per DIN EN 60715

Inherently safe inputs

ATEX, FM, UL, CSA, IECEx approval

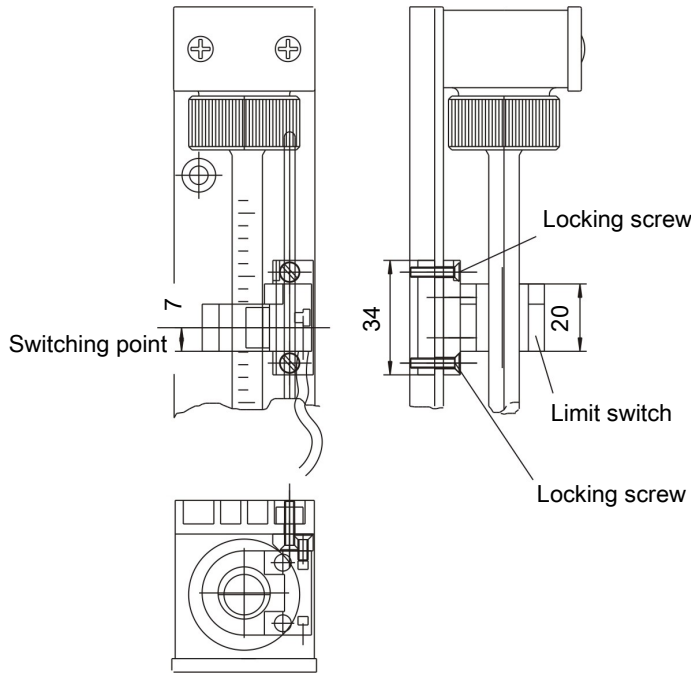


Description

Model KFD/KFA: Single channel switch amplifier for inherently safe control circuits with one signal output (change-over), one LED each for monitoring the voltage and alarm output function.

Model KCD: Single channel amplifier inside a compact terminal box with LED switching status indicator.

Limit switch dimensions



Limit Switch Technical Data

Limit switch	Ø10	Ø15
Protection class:	IP 67	IP 67
Ambient temperature:	-20 °C to +100 °C	-20 °C to +70 °C
Housing material:	PBT	PBT
Operation:	bi-stable	bi-stable
Cord length:	2 m	2 m
Approval:	PTB 99 ATEX 2128X ⊠ II 2 G Ex ia II C T6...T1 Gb	PTB 99 ATEX 2128X ⊠ II 2 G Ex ia II C T6...T1 Gb

Switch Amplifier Technical Data

Switch amplifier	KFD2-SR2-Ex 1.W	KFA5-SR2-Ex 1.W	KFA6-SR2-Ex 1.W	KCD2-E2L
Supply voltage:	20 - 30 V DC	103.5 - 126 V AC 45 - 65 Hz	207 - 253 V AC 45 - 65 Hz	10 - 30 V DC
Inherently safe per:	EN 60079-11	EN 60079-11	EN 60079-11	no
Line monitor:	yes	yes	yes	yes
Approvals: (FM, UL, CSA, IECEx in accordance with the operating instructions)	PTB 00 ATEX 2080 ⊠ II(1)G [Ex ia Ga] IIC	PTB 00 ATEX 2081 ⊠ II(1)G [Ex ia Ga] IIC	PTB 00 ATEX 2081 ⊠ II(1)G [Ex ia Ga] IIC	
Output (not inherently safe):	Change-over contact	Change-over contact	Change-over contact	NO contact PNP transistor
Switching current output:	230 V AC, 2 A cos φ > 0.7 40 V DC, 2 A ohmic load	230 V AC, 2 A cos φ > 0.7 40 V DC, 2 A ohmic load	230 V AC, 2 A cos φ > 0.7 40 V DC, 2 A ohmic load	200 mA DC
Ambient temperature:	-20 °C ...+60 °C	-20 °C ...+60 °C	-20 °C ...+60 °C	-25 °C ...+70 °C
Protection class:	IP 20	IP 20	IP 20	IP 20
Dimensions:	20x119x115 mm (WxHxD)	20x119x115 mm (WxHxD)	20x119x115 mm (WxHxD)	20x63x44 mm (WxHxD)

Spare parts and accessories

Item no.	Description
91 000 700 04	Switch amplifier, KFD2-SR2-Ex 1.W, 24 V DC
91 000 700 05	Switch amplifier, KFA5-SR2-Ex 1.W, 115 V AC
91 000 700 06	Switch amplifier, KFA6-SR2-Ex 1.W, 230 V AC
91 000 700 07	Switch amplifier, KCD2-E2L, 24 V DC
49 490 21	Limit switch with mounting bracket Ø10
49 490 19	Limit switch with mounting bracket Ø15