

Blowback Controller RSS 24 / RSS 230



The blowback controllers RSS 24 and RSS 230 are meant for controlling the cleaning cycles of a probe filter. They are designed for the use with probe types GAS 222.30, GAS 222.31 and ECO-01, but may as well be used to control other external valves. All necessary components are included in an IP 65 housing

The blowback and sample time can be varied in a wide range. They are programmed at the programmable controller inside the housing, preventing the parameters from being reset unwillingly.

On the front panel are rotary switches for the power line and the operational mode (automatic or manual). With a push button the blowback may be initiated at any time.

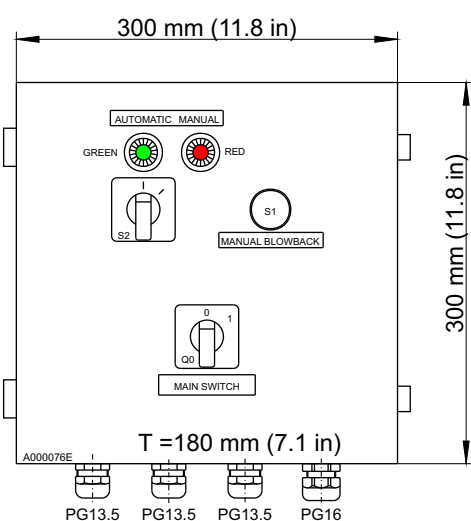
A green light shows the automatic mode, a red one the manual mode. Both lights are driven by the internal controller thus they can be seen as a status control. The status signals can be led outside via the electrical terminals.

The blowback controllers are wall mounted. At the backside there are 4 threaded nuts M6 for fixing. The electrical connections are made via cable glances on the bottom.

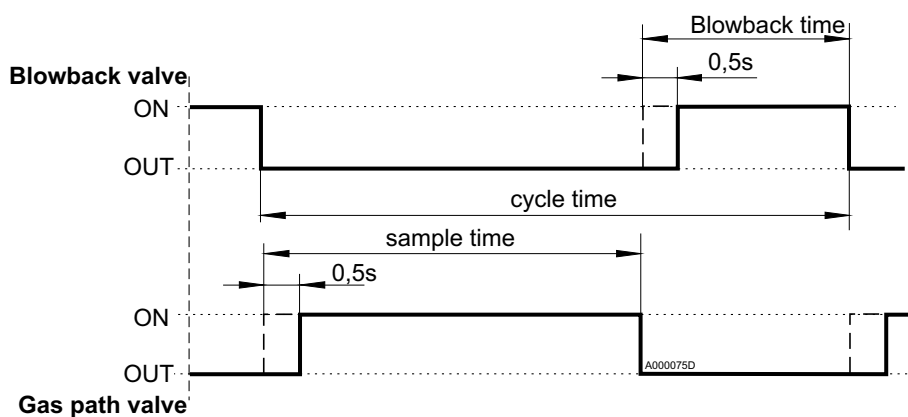
External valves must be equipped with a safety circuit. If the blowback controller is delivered with a Bühler gas probe, the safety circuits are already included inside the valve connectors.

Technical Data

| Type | RSS 24 | RSS 230 |
|---------------------------|---------------------------|------------------------------|
| Power supply | 24 V DC \pm 10% | 85 - 265 V AC 50/60 Hz |
| Fuse | 5 A (slow) | 1 A (slow) |
| Relays output | max 10 A / 24 V DC / 75 W | max 10 A / 230 V AC / 690 VA |
| Ambient temperature | 0 - 55 °C | 0 - 55 °C |
| Blowback time | 0 - 60 s | 0 - 60 s |
| Sample time | 1 min - 99:59 h | 1 min - 99:59 h |
| Protection class | IP65 | IP65 |
| Weight | approx. 3 kg | approx. 3 kg |
| Dimensions (H x W x D mm) | 300 x 300 x 180 | 300 x 300 x 180 |



Time Flow Diagram



Please indicate with order

| Part no. | Type |
|------------|--------------------------------------------------------|
| 46 22 2199 | Blowback controller RSS 24, power supply 24 V DC |
| 46 22 2299 | Blowback controller RSS 230, power supply 115/230 V AC |