

Measure and Display up to **11 Items** Simultaneously

Rugged Outdoor Design

Multi-parameter Water Quality Meters

U-50 Series

5 languages display

English 

Japanese 

Russian 

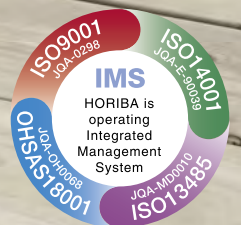
Spanish 

Portuguese 

Multi-parameter Water Quality Meters



CE
CE marking compliant



Measure and Display 11 Parameters Simultaneously with Newly Designed Control Unit and Sensor Technology.

Intuitive software assures ease of use and operation efficiency.

Experience the durability and performance of an instrument that exceeds your expectations in the field testing of ground water and surface water applications.

Measure and Display up to **11 Items** Simultaneously

Control Unit Features:

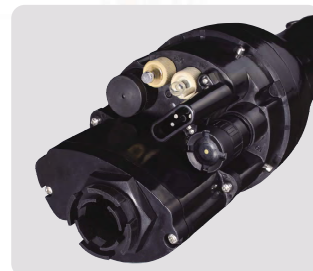
- Easy to read LCD Display
- One-hand operation
- On-screen icon displays battery power and GPS, USB and probe unit connectivity
- Quick-connect connector (cable to control unit)
- Shock resistant cover
- Backlight display



Operating instructions



Rugged Outdoor Design



Sensor Probe Unit Features:

- Turbidity Sensor conforms to US EPA method 180.1 (U-53/U-53G)
- Turbidity Sensor conforms to EN ISO 7027 (U-54/U-54G)
- Minimum dissolved oxygen sensor maintenance with screw-on type membrane cap
- Chemical resistant materials of construction
- Optional ToupH pH electrode* that is difficult to break
- Field replaceable sensors

*Prevents damage during maintenance.



Design and Performance that Makes Measurement Easy in a Variety of Applications



●Measurement at a Drainage Ditch or Wharf

Instantaneously monitor, collect and store data while moving the submersed sensor probe unit.



●Measurement in Marshes

The control unit's waterproof design allows the user to work without concern of splashing or accidentally dropping the control unit in the water. The backlight display allows the user to take measurements in the dark.



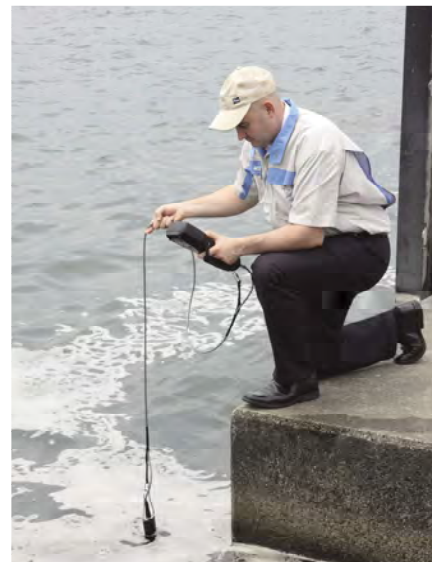
●Measurements in Surface Water

The long 30 meter cable option allows the user to deploy the sensor probe unit and collect measurement data at varying depths. The GPS models facilitate environmental surveys of oceans, lakes and rivers.



●Measuring Ground Water from an Intake

With the sensor probe lowered and submersed at an intake, 10,000 data sets can be stored in the control unit and transferred to a PC later.

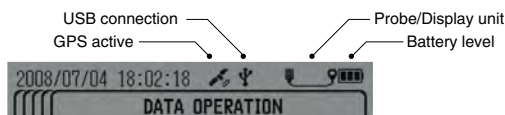


Exceptional Performance and Optimal Design for field ap

Control Unit >>>

Easy to read LCD Display and Easy Operation

- All 11 parameters measurement data is listed on screen.
- Text size can be changed to large font.
- Small control unit design for operation with one hand.
- Icon display information.



- Operation instructions on-screen.
- Variable display contrast compensates for extreme ambient lighting conditions.

Control Unit Design for Field Operations

- Auto-calibration feature provides hassle free calibration of pH, dissolved oxygen, conductivity, turbidity and depth.
- Shock resistant cover designed for rough treatment in the field and is easily cleaned.
- Cable can be easily connected and disconnected with quick-connect fitting.



Data Management

- Auto hold function freezes average data values on the screen to offer more time to verify or transcribe data.
- Diagnostic functions notify the user of errors.
- Integral USB connection for data transfer to a PC. USB cable is sold separately and includes software.
- Selectable measurement units allow the operator to report data without the need to convert data to desired units of measure.



■ GPS Compatible (U-52G/53G/54G)

The system can be used in conjunction with the Global Positioning System (GPS) to record latitude, longitude, and other location data for individual measurements. This is particularly useful for environmental surveys.

pH

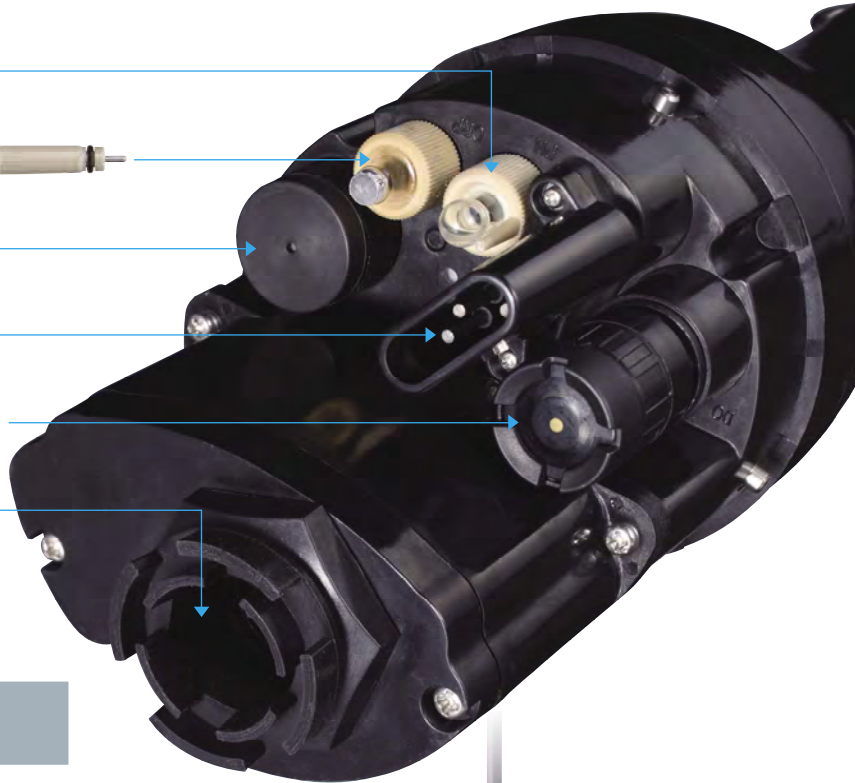
Oxidation Reduction Potential

Reference

Conductivity

Dissolved Oxygen

Turbidity



Sensor Probe Unit >>>

Multiple Sensors Housed in Each Probe

- Multiple sensors allow for the measurement of 11 parameters simultaneously. (pH, pH (mv), ORP, DO, COND, Salinity, TDS, Seawater Specific Gravity, Temperature, Turbidity, Water depth)
- Turbidity Sensor U-53 conforms to US EPA method 180.1. Precision has been improved over conventional instruments. The Model U-53 high precision field replaceable turbidity sensor with wiper has a resolution of 0.01 NTU.
- Turbidity sensor of U-54 conforms to EN ISO 7027. The model U-54 has a resolution of 0.01 NTU.
- Improved stability of the dissolved oxygen sensor has been achieved with a new 3 electrode design for fast response and polarographic sensor for ease of maintenance.
- pH and ORP electrodes can be replaced individually to reduce replacement costs.

■ U-5X series specification comparison list

	U-51	U-52	U-52G	U-53	U-53G	U-54	U-54G
pH	●	●	●	●	●	●	●
ORP (Oxidation Reduction Potential)	●	●	●	●	●	●	●
Dissolved Oxygen	●	●	●	●	●	●	●
Conductivity	●	●	●	●	●	●	●
Salinity	●	●	●	●	●	●	●
TDS (Total Dissolved Solids)	●	●	●	●	●	●	●
Seawater Specific Gravity	●	●	●	●	●	●	●
Temperature	●	●	●	●	●	●	●
Turbidity (LED)	—	●	●	—	—	●	●
Turbidity (Tungsten lamp)	—	—	—	●	●	—	—
Water depth	—	—	●	●	●	●*	●*
GPS	—	—	●	—	●	—	●

Note: *U-54/G(2m) don't have the feature of water depth.



U-50 Series Specifications

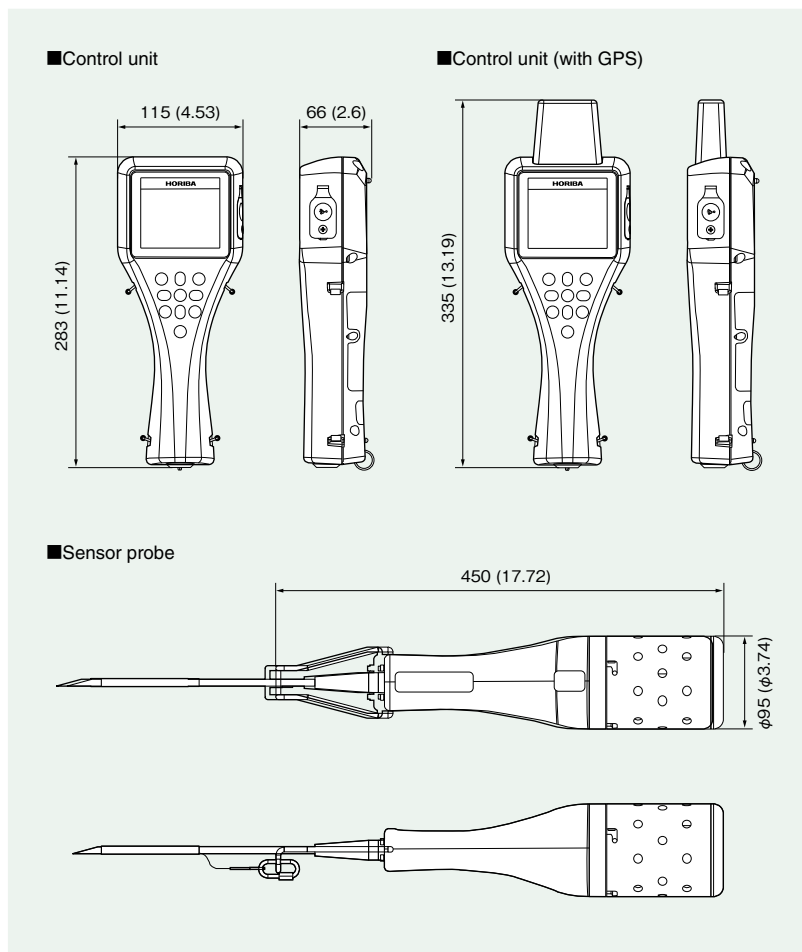


		U-51	U-52	U-52G	U-53	U-53G
Sensor Probe	Measurement temperature				-10 to 55°C	
	Maximum sensor diameter	Approx. 96 mm				
	Probe length	Approx. 340 mm				
	Cable length	Standard: 2 m, option: 10, 30 m				
	Mass	Approx. 1,800 g (Approx. 3.97 lbs)				
	Automatic calibration (uses pH4)	●		●		●
	Turbidity wiper	—			●	●
	Measurement depth	Max. 30 m				
	Liquid contact part material (liquid end material)	PPS, glass, SUS316L, SUS304, FKM, PEEK,Q, titanium, FEP membrane, POM				
	Water resistance	JIS protection level 8				
Control Unit	Outer dimensions	115 (W) x 66 (D) x 283 (H) mm				
	Mass	Approx. 800 g (Approx. 1.76 lbs)				
	LCD	320 x 240 liquid crystal display with backlight (black and white)				
	Data memory	10,000				
	Communication	USB				
	Battery	C batteries x 4				
	Water resistance	JIS protection level 7 (when sensor cable is fitted)				
	Battery Life	Approx. 70 hours (without backlight)		Approx. 500 measurements		
	Storage temperature	-10 to 60°C				
	Ambient temperature	-5 to 45°C				
pH ●Two-point calibration ●Automatic temperature	Measurement principle	Glass electrode method				
	Range	pH0 to 14				
	Resolution	0.01pH				
	Repeatability	±0.05pH				
	Accuracy	±0.1pH				
Oxidation Reduction Potential (ORP)	Measurement principle	Platinum electrode method				
	Range	-2000 mV to +2000 mV				
	Resolution	1 mV				
	Repeatability	±5 mV				
	Accuracy	±15 mV				
Dissolved Oxygen (DO) ●Salinity conversion (0 to 70 PPT/automatic) ●Automatic temperature compensation	Measurement principle	Polarographic method				
	Range	0 to 50.0 mg/L				
	Resolution	0.01 mg/L				
	Repeatability	±0.1 mg/L				
	Accuracy	0 to 20 mg/L: ±0.2 mg/L 20 to 50 mg/L: ±0.5 mg/L				
Conductivity (COND) ●Auto range ●Automatic temperature conversion (25°C)	Measurement principle	4 AC electrode method				
	Range	0 to 10 S/m (0 to 100 mS/cm)				
	Resolution	0.000 to 0.999 mS/cm: 0.001 mS/cm	1.00 to 9.99 mS/cm: 0.01 mS/cm	10.0 to 99.9 mS/cm: 0.1 mS/cm		
	Repeatability	0.0 to 99.9 mS/m: 0.1 mS/m	0.100 to 0.999 S/m: 0.001 S/m	1.00 to 9.99 S/m: 0.01 S/m		
	Accuracy	±0.05% F.S.				
Salinity	Measurement principle	Conductivity conversion				
	Range	0 to 70 PPT (permillage)				
	Resolution	0.1 PPT				
	Repeatability	±1 PPT				
	Accuracy	±3 PPT				
Total Dissolved Solid (TDS) ●Conversion factor setting	Measurement principle	Conductivity conversion				
	Range	0 to 100 g/L				
	Resolution	0.1% F.S.				
	Repeatability	±2 g/L				
	Accuracy	±5 g/L				
Seawater specific gravity ●Display σ_t , σ_0 , σ_{15}	Measurement principle	Conductivity conversion				
	Range	0 to 50 σ_t				
	Resolution	0.1 σ_t				
	Repeatability	±2 σ_t				
	Accuracy	±5 σ_t				
Temperature	Measurement principle	Thermistor method				
	Range	-10 to 55°C				
	Resolution	0.01°C				
	Repeatability	*±0.10°C (at calibration point)				
	Accuracy	JIS class B platinum thermometer sensor (±0.3+0.005 t)				
Turbidity (TURB)	Measurement principle	LED light source and 30° scattering method		Tungsten lamp source and 90° scattering method		
	Range	0 to 800 NTU		0 to 1000 NTU		
	Resolution	0 to 99.9 NTU: 0.1 NTU	100 to 800 NTU: 1 NTU	0 to 9.99 NTU: 0.01 NTU	10 to 99.9 NTU: 0.1 NTU	100 to 1000 NTU: 1 NTU
	Repeatability	*±5% (Reading) or ± 0.5 NTU whichever is greater		±3% (Reading) or ±0.1 NTU whichever is greater		
Water depth	Measurement principle	Pressure method				
	Range	0 to 30 m				
	Resolution	0.05 m				
	Repeatability	±1% F.S.				
	Accuracy	±0.3 m				
GPS	12 channel parallel	—	—	●	—	●

Note:

- * Battery life based on continuous operation using alkaline C dry batteries when the monitor temperature is over 20°C and the backlight OFF.
- * Accuracy is measured by calibrating 4 points for turbidity and electrical conductivity and 2 points for all other measurements against standard solution.
- * Repeatability is measured by the ability to reproduce the results against the standard solution (at 25°C normal pressure condition).

■ Dimensions unit: mm (in)



■ Option

Item	Model	Code
Carrying case	U-5030	3200174772
Flow chamber	—	3200156570
Probe guard	—	3200167002
Cable (with data-collection software)	—	3200174823

HORIBA continues contributing to the preservation of the global environment through analysis and measuring technology.



⚠ Please read the operation manual before using this product to assure safe and proper handling of the product.

- The contents of this catalog are subject to change without prior notice, and without any subsequent liability to this company.
- The color of the actual products may differ from the color pictured in this catalog due to printing limitations.
- It is strictly forbidden to copy the content of this catalog in part or in full.
- All brand names, product names and service names in this catalog are trademarks or registered trademarks of their respective companies.

<http://www.horiba.com> e-mail: info@horiba.co.jp

● HORIBA, Ltd.
Head Office
 2 Miyano Higashi, Kisshoin
 Minami-ku, Kyoto, Japan
 Phone: 81 (75) 313-8123
 Fax: 81 (75) 321-5725

● Tokyo Sales Office
 1-7-8 Higashi-Kanda
 Chiyoda-ku, Tokyo, Japan
 Phone: 81 (3) 3861-8231
 Fax: 81 (3) 3861-8259

● HORIBA TRADING (SHANGHAI) CO., Ltd.
Shanghai Office
 Room 1701, United Plaza,
 1468 Nanjing Rd. West,
 Shanghai, 200040, China
 Phone: 21-6289-6060
 Fax: 21-6289-5553

● Beijing Office
 Room 1801, Capital Tower Beijing,
 Tower 1 No.6Jia, Jianguomenwai Ave.,
 Chaoyang District, Beijing,
 100022 China
 Phone: 10-8567-9966
 Fax: 10-8567-9066

● HORIBA KOREA Ltd.
 112-6 Sogong-Dong
 Choong-ku, Seoul, Korea
 Phone: 82 (2) 753-7911
 Fax: 82 (2) 756-4972

● HORIBA INSTRUMENTS Pte. LTD.
 10 Ubi Crescent
 #05-11/12, Ubi Techpark
 Singapore 408564
 Phone: 65 6745-8300
 Fax: 65 6745-8155

● HORIBA India Private Limited
Delhi Office
 1212A, Hemkunt Tower,
 98 Nehru Place,
 New Delhi - 110019 INDIA
 Phone: +91 11-4669-5001/5002

● Pune Office
 502, Purushottam Plaza,
 Baner Road, Baner,
 Pune - 411045 INDIA
 Phone: +91 20-2729-1121

● HORIBA INSTRUMENTS INCORPORATED
Irvine Facility
 17671 Armstrong Avenue
 Irvine, CA 92614, U.S.A.
 Phone: 1 (949) 250-4811
 Fax: 1 (949) 250-0924

● HORIBA INSTRUMENTS LIMITED
 Kyoto Close
 Summerhouse Road
 Moulton Park, Northampton
 NN3 6FL, U.K.
 Phone: 44 (1604) 542500
 Fax: 44 (1604) 542699

● HORIBA GmbH
 Kaplanstrasse 5
 A-3430 Tulln,
 Austria
 Phone: 43 (2272) 65225
 Fax: 43 (2272) 65230

HORIBA CZECHIA
 Organizacni slozka Praha
 Petrohradská 13
 CZ-101 00 Praha 10,
 Czech Republic
 Phone: 420 (2) 717-464-80
 Fax: 420 (2) 717-470-64

● HORIBA EUROPE GmbH
Head Office
 Hans-Mess-Str.6
 D-61440 Oberursel/Ts.
 Germany
 Phone: 49 (6172) 1396-0
 Fax: 49 (6172) 137385

Leichlingen Facility
 Julius-kronenberg Strasse
 D-42799 Leichlingen
 Germany
 Phone: 49 (2175) 8978-0
 Fax: 49 (2175) 8978-50

● HORIBA FRANCE
 12, Avenue des Tropiques
 91955 LES ULIS
 France
 Phone: 33 (1) 69-29-96-23
 Fax: 33 (1) 69-29-95-77

Bulletin:HRE-1930D

Printed in Japan T-TF(SK)00