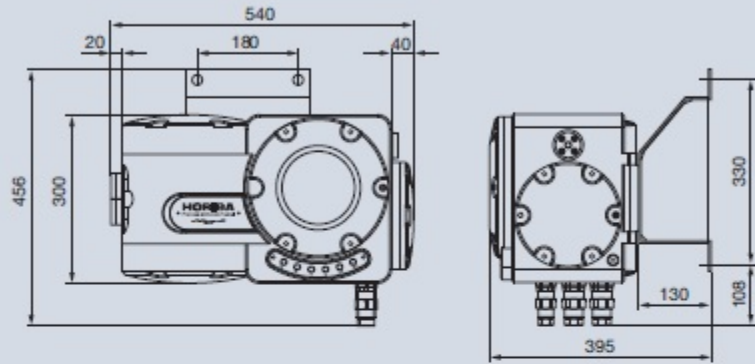
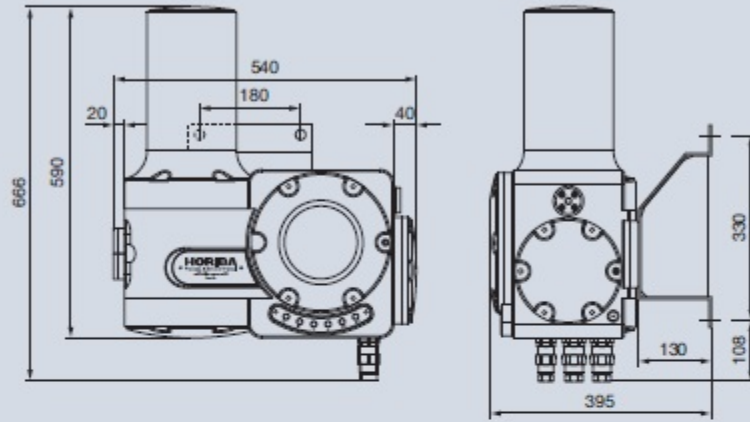


■ Dimensional Outlines unit: mm

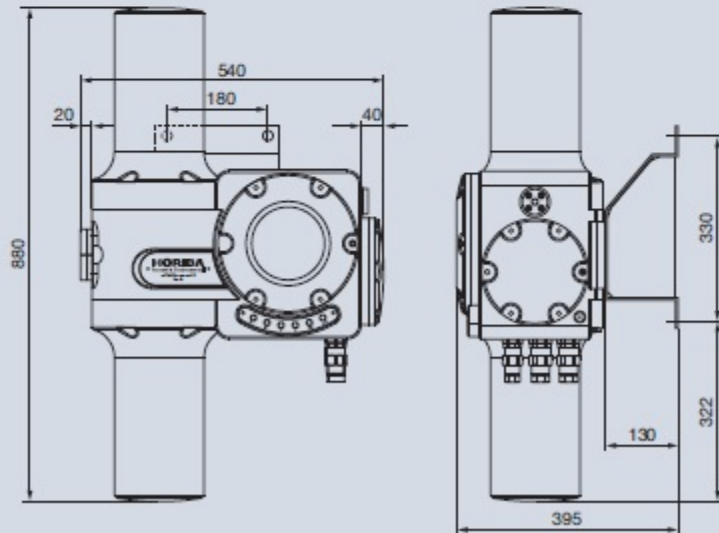
MPA-51d/p • TCA-51d/51p • EIA-51d/51p • PMA-51d



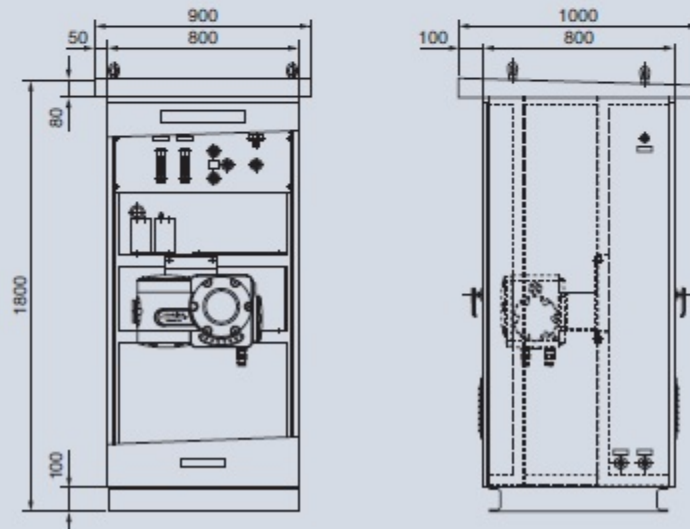
EIA-51d/51p



TIA-51d/51p

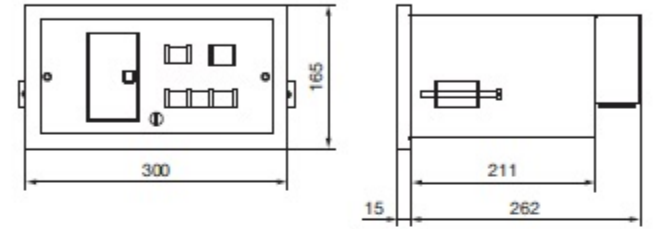


Enclosure

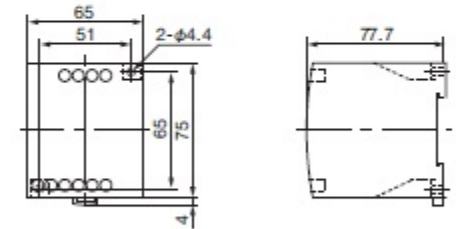


■ Peripheral instruments  
(Required for Pressurized apparatus)

Sequence Controller



Relay Barrier



Protective gas control unit

