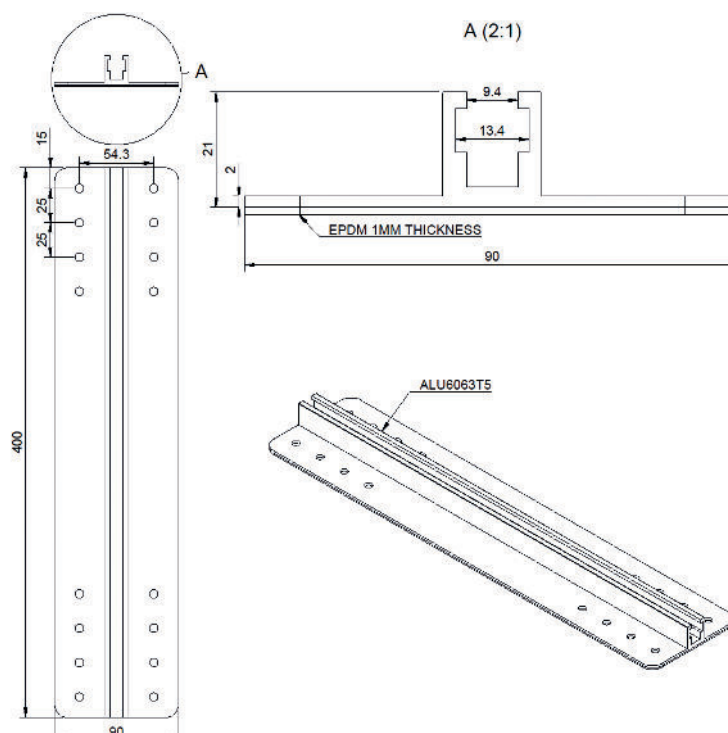


Steel deck plate portrait 40 cm

DATASHEET



Article code	1AHM15SD006
Material	ALU6063T5 + EPDM
Color	alu
Weight	410 gr
Application	pitched roof, steel deck trapezoid
Packaging	35 pcs./carton, 1.260 pcs./pallet



Headquarters

Transportstraat 1B
3980 Tessenderlo, Belgium

> +32 (0)11 46 00 70
info@allimex-greenpower.eu

> allimexgreenpower.com
We care. We dare. We deliver

