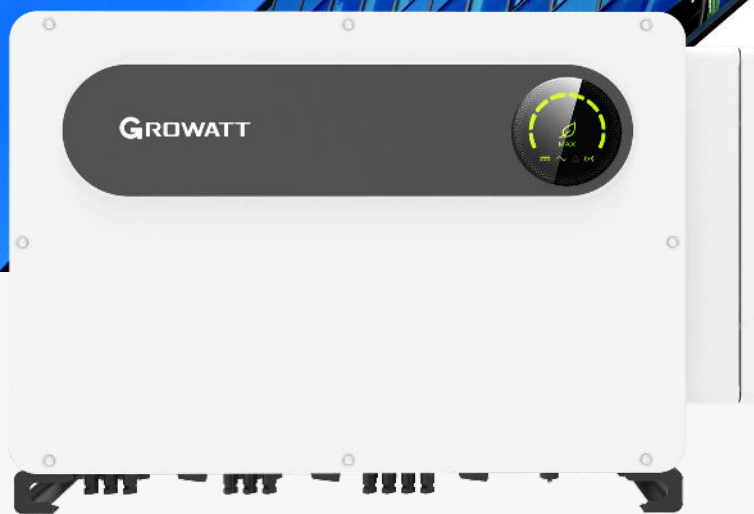
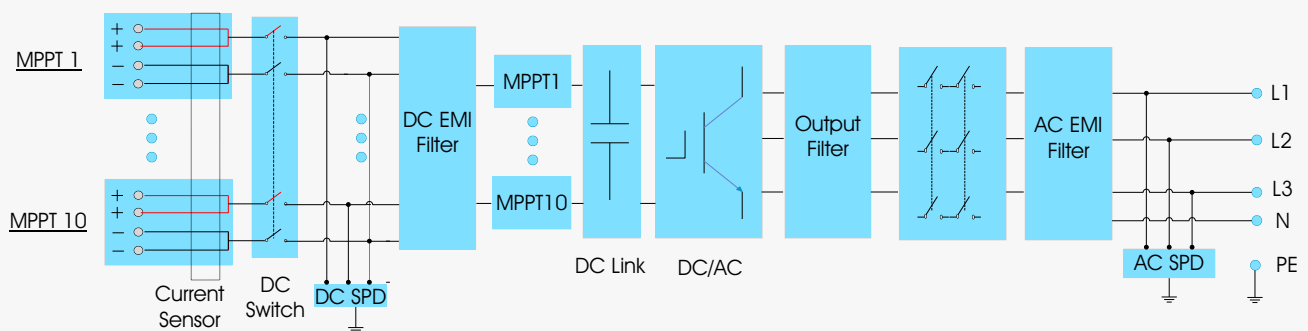


# MAX 100~125KTL3-X LV

- 10 MPPTs fusefree design
- Smart I/V scan and diagnosis
- Intelligent string monitoring
- AC&DC type II SPD
- IP66 protection



## Topology Diagram



| Datasheet  | MAX 100KTL3-X LV                            | MAX 110KTL3-X LV           | MAX 120KTL3-X LV           | MAX 125KTL3-X LV           |
|--|---|----------------------------|----------------------------|----------------------------|
| <b>Input data (DC)</b>   |   |                            |                            |                            |
| Max. DC voltage  |   |                            | 1100V                      |                            |
| Start voltage  |   |                            | 195V                       |                            |
| Nominal voltage  |   |                            | 600V                       |                            |
| MPP voltage range  |   |                            | 180V-1000V                 |                            |
| No. of MPP trackers  |   |                            | 10                         |                            |
| No. of PV strings per MPP tracker  |   |                            | 2                          |                            |
| Max. input current per MPP tracker   |   |                            | 32A                        |                            |
| Max. short-circuit current per MPP tracker   |   |                            | 40A                        |                            |
| <b>Output data (AC)</b>  |   |                            |                            |                            |
| AC nominal power   | 100000W                                     | 110000W                    | 120000W                    | 125000W                    |
| Max. AC apparent power   | 110000VA                                    | 121000VA                   | 132000VA                   | 137500VA                   |
| Nominal AC voltage (range*)  | 220V/380V, 230V/400V (340-440V)             |                            |                            |                            |
| AC grid frequency (range*)   | 50/60 Hz(45~55Hz/55-65 Hz)                  |                            |                            |                            |
| Max. output current  | 158.8A@400V<br>167.1A@380V                  | 174.6A@400V<br>183.8A@380V | 190.5A@400V<br>200.5A@380V | 198.5A@400V<br>208.9A@380V |
| Adjustable power factor  | 0.8leading ...0.8lagging                    |                            |                            |                            |
| THDi   | <3%   |                            |                            |                            |
| AC grid connection type  | 3W/N/PE                                     |                            |                            |                            |
| <b>Efficiency</b>  |   |                            |                            |                            |
| Max. efficiency  |   |                            | 98.8%                      |                            |
| European efficiency  | 98.4%                                       | 98.5%                      | 98.5%                      | 98.5%                      |
| MPPT efficiency  | 99.9%                                       |                            |                            |                            |
| <b>Protection devices</b>  |   |                            |                            |                            |
| DC reverse polarity protection   | Yes   |                            |                            |                            |
| DC switch  | Yes   |                            |                            |                            |
| AC/DC surge protection   | Type II / Type II                           |                            |                            |                            |
| Insulation resistance monitoring   | Yes   |                            |                            |                            |
| AC short-circuit protection  | Yes   |                            |                            |                            |
| Ground fault monitoring  | Yes   |                            |                            |                            |
| String detection   | Yes   |                            |                            |                            |
| Anti PID function  | Optional                                    |                            |                            |                            |
| Arc fault detection (AFCI)   | Optional                                    |                            |                            |                            |
| <b>General data</b>  |   |                            |                            |                            |
| Dimensions (W / H / D)   | 970/640/345mm                               |                            |                            |                            |
| Weight   | 84kg  |                            |                            |                            |
| Operating temperature range  | -30°C ... +60°C                             |                            |                            |                            |
| Nighttime power consumption  | < 1W  |                            |                            |                            |
| Topology   | Transformerless                             |                            |                            |                            |
| Cooling  | Smart air cooling                           |                            |                            |                            |
| Protection degree  | IP66  |                            |                            |                            |
| Relative humidity  | 0~100%                                      |                            |                            |                            |
| Altitude   | 4000m                                       |                            |                            |                            |
| DC connection  | H4/MC4 (Max.6mm <sup>2</sup> )              |                            |                            |                            |
| AC connection  | OT Terminal (Max. 240mm <sup>2</sup> )      |                            |                            |                            |
| Display  | LED/WIFI+APP                                |                            |                            |                            |
| Interfaces: RS485 / USB /PLC/GPRS/4G/WIFI  | Yes/Yes/Optional/Optional/Optional/Optional |                            |                            |                            |
| Warranty: 5 years / 10 years   | Yes /Optional                               |                            |                            |                            |
| CE, UKCA, IEC62116, IEC61727, CQC, VDE0126, VFR2019, EN50549-1/-2, C10/C11, UNE206007, G99<br>CEI 0-21/0-16, N4105, UNE206006, MEA, PEA, KSC8565 |   |                            |                            |                            |

\* The AC voltage range and frequency range may vary depending on specific country grid standard.  
All specifications are subject to change without notice.