

eMH1 Basic WALLBOX

WITH CHARGING CABLE

11 kW

The eMH1 1W1108 is the smallest wallbox with an attached charging cable and Type 2 connector for the private domain. Thanks to its extremely compact dimensions, the eMH1 is the perfect indoor and outdoor solution for efficient charging of EV with a Type 2 charging socket. Our DC fault current detection is already integrated as standard and, in conjunction with a commercially available type A residual current circuit breaker, ensures a particularly high level of safety in operation.



General information

| | |
|------------------------------|--|
| Model | eMH1 |
| Model number | 1W1108 |
| EAN number | 4011721176024 |
| Commodity code | 85371091 |
| Packaging unit (PU) | 1 unit |
| Packaging (dimensions HxWxD) | 355 x 330 x 270 mm |
| Components included | Wallbox, printed installation guide, drilling template, mounting kit, 2 keys |

Input/mains supply

| | |
|-----------------|--|
| Grid connection | max. 5 x 6 mm ² |
| Rated voltage | 230/400 V |
| Rated current | 16 A |
| Rated frequency | 50 Hz |
| Upstream fuse | 16 A |
| Terminal block | 6 mm ² feed-through terminal block PE: 6 mm ² feed-through terminal block |

Output/vehicle connection

| | |
|-----------------------|---|
| Connection system | Single charging cable with Type 2 connector in acc. with IEC62196-2, ca. 6.35 m |
| Output voltage | 230/400 V |
| Max. charging current | 16 A |
| Maximum output | 11 kW |

Protection/integrated components

| | |
|----------------------------|---|
| RCCB | min. RCCB Type A, 30 mA, required in pre-installation |
| DC fault current detection | electronic, $I_{\Delta n \text{ d.c.}} \geq 6 \text{ mA}$ |
| Installation contactor | 4-pole (charging procedure activation) |
| Welding detection | No charging possible with welded contactors |
| Temperature monitoring | Gradual lowering of charging current in case of overheating |

Charging monitor/status indicators

| | |
|----------------------------|---------------------------------------|
| Charge controller | EVCC2 |
| Communication | in acc. with IEC 61851-1 Mode 3 |
| Operating status indicator | LED (stand-by, EV detected, charging) |
| Firmware indicator | LED (flashes on startup) |
| Error display | LED (various flash patterns) |
| Interface | RS485 |

Standards/guidelines

| |
|-----------------------|
| IEC 61851-21-2 |
| IEC 61851-1 Ed. 3 |
| IEC 60364-7-722 Ed. 1 |

Operating conditions

| | |
|--------------------------------|---------------------------|
| Storage temperature | -30 to 85°C |
| Operating temperature | -30 to 50°C |
| Relative humidity | 5 to 95%, no condensation |
| Class of protection | I |
| Overvoltage category | III |
| Degree of pollution | 3 |
| Degree of protection (housing) | IP54 |

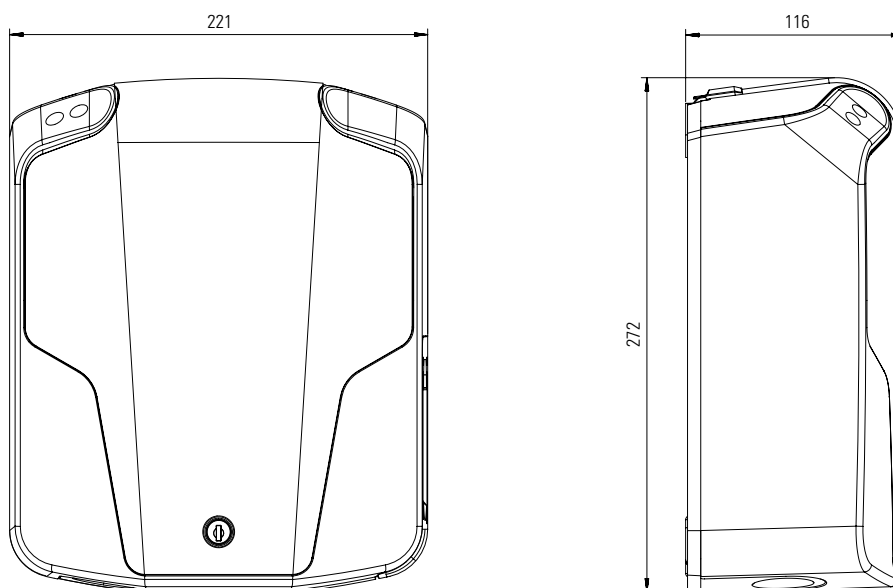
Housing

| | |
|--------------------|--------------------------------------|
| Type | Wall-mounted housing |
| Fixing type | Wall bracket (mounting kit provided) |
| Material (housing) | Plastic |
| Housing color | RAL9005 |
| Material (cover) | Plastic |
| Cover color | RAL9005 |
| Locking mechanism | Lockable cover with integrated lock |
| Dimensions (HxWxD) | 272 x 221 x 116 mm |
| Weight | Approx. 4.5 kg |

Optional accessories

| | |
|---|---------|
| Mounting Pole | STEMH10 |
| Foundation | EMH9999 |
| Bracket | WHEMH10 |
| Wall bracket with key switch | 1W0001 |
| homeCLU load management | SBCH1 |
| see website at www.ablmobility.de | |

Dimensioned drawing



Subject to change: All features, specifications and other information are subject to change without notice.