



NEW
5 BUSBAR

FU 360 / 370 / 380 / 390 / 400 M NEXT

Monocrystalline Photovoltaic Module - 72 Cells

Engineered
in Italy



GENERAL FEATURES

- **15-year product warranty**
- **Bigger high-efficiency PERC cells** optimized for low irradiance, decrease ohmic losses and increase the yield
- **Increased power up to 10%** on standard dimensions
- **Higher yield at low irradiance**
- For installations **up to an altitude of 7000 m**
- Maximum **resistance against hail** (83 km/h)
- Quality control with **electroluminescence (EL) tests** on each module

CERTIFICATIONS

- > **IEC 61215:2016 - IEC 61730:2016 & Factory Inspection ***
- > **Fire Resistance - Class 1**
- > **Salt Corrosion Resistance** IEC 61701
- > **Ammonia Corrosion** IEC 62716
- > **Dust and Sand Resistance** IEC 60068-2-68

NEW

GUARANTEES

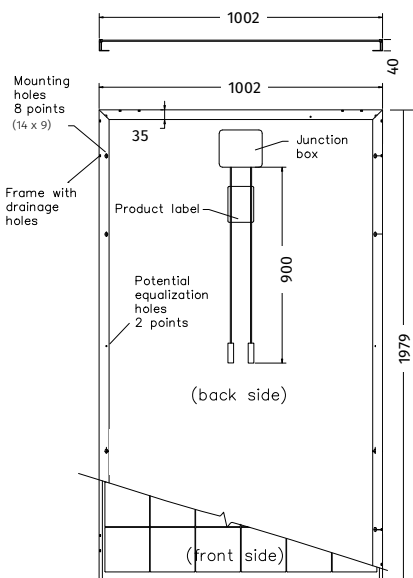
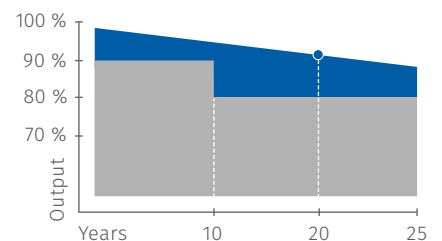
Performance guarantee

Max power decrease **0.5%/year**
97% at the end of first year
90% at the end of 20th year
87% at the end of **25th year**

Product guarantee

15 YEARS

■ Market standard performances
■ FuturaSun performances



Note: dimensions in mm
tolerance +/- 2 mm

ELECTRICAL DATA

MODULE NEXT		FU 360 M	FU 370 M	FU 380 M	FU 390 M	FU 400 M
<i>Standard Test Conditions STC: 1000 W/m² - AM 1.5 - 25 °C - tolerance: Pmax (±3%), Voc (±4%), Isc (±5%)</i>						
Module power (Pmax)	W	360	370	380	390	400
Open circuit voltage (Voc)	V	48.34	48.94	49.51	50.09	50.63
Short circuit current (Isc)	A	9.33	9.46	9.59	9.73	9.89
Maximum power voltage (Vmpp)	V	39.86	40.37	40.88	41.37	41.81
Maximum power current (Impp)	A	9.04	9.17	9.30	9.43	9.57
Module efficiency	%	18.15	18.66	19.16	19.67	20.17

<i>Nominal Module Operating Temperature NMOT: 800 W/m² - T=45 °C - AM 1.5</i>						
Module power (Pmax)	W	264.4	271.8	279.10	286.5	293.8
Open circuit voltage (Voc)	V	44.59	45.14	45.67	46.20	46.70
Short circuit current (Isc)	A	7.67	7.78	7.89	8.00	8.13
Maximum power voltage (Vmpp)	V	36.07	36.54	37.00	37.44	37.84
Maximum power current (Impp)	A	7.33	7.44	7.54	7.65	7.76

TEMPERATURE RATINGS

Short circuit voltage (Isc)	%/°C	0.0344
Open circuit voltage (Voc)	%/°C	-0.273
Module power (Pmax)	%/°C	-0.389
NMOT *	°C	45
Operating temprature	°C	from -40 to +85

*Certification on going

**Nominal Module Operating Temperature

MECHANICAL SPECIFICATIONS

Dimensions	1979 x 1002 x 40 mm
Weight	22.6 kg
Glass	Tempered, transparent, 3.2 mm
Cell encapsulation	EVA (Ethylene Vinyl Acetate)
Cells	72 monocrystalline cells 158.75 x 158.75 mm
Backsheet	Composite multilayer film
Frame	Anodized aluminium frame with mounting and drainage holes
Junction box	Certified according to IEC 62790, IP 68 approved
Cables	Solar cable, length 900 mm (1500 mm upon request) assembled with MC4-combinable plugs
Maximum reverse current (Ir)	20 A
Maximum system voltage	1000 V (1500 V on request)
Maximum load (wind/snow)	5400 Pa (including safety factor 1.5)
Protection Class	II - accordance to IEC 61730

Authorized Dealer



FuturaSun srl

Riva del Pasubio, 14 - 35013 Cittadella - Italy
Tel + 39 049 5979802 Fax + 39 049 0963081
www.futurasun.com - info@futurasun.it

2019_72m_360-400_en