

# BAUER

Solartechnik GmbH



## BS-6MBB5-GG

Monocrystalline solar module 300 - 310 W



### PERFORMANCE GUARANTEE

30 years product warranty and a linear performance guarantee over a period of 30 years



### CERTIFICATION

Permanent in-house quality control, multiple certifications by accredited inspection bodies



### EFFICIENCY

High efficiency for optimum yield - innovations directly influence the production process



### POSITIVE POWER TOLERANCE

Exclusive delivery of solar modules with positive power tolerance only



### PERC BIFACIAL TECHNOLOGY

Double-sided solar cells and a transparent back side increase the potential power output by up to 30%



### WEATHERPROOF

Standardized mechanical load test guards against damage from wind and weather



### GERMAN GUARANTOR

In case of need it is ensured that a German company assumes the claim settlement



### SAFETY

High-quality components ensure maximum protection in all weather conditions



### HANDLING

Low storage / transport cost and easy installation thanks to an intelligent packaging concept



PROVEN & GUARANTEED BY  
**BAUER SOLARTECHNIK**  
HIGH QUALITY STANDARDS BY GERMAN ENGINEERS

## Mechanical Data

Cell type	monocrystalline / PERC bifacial
Cell formation	6 x 10 (60)
Module dimensions	1664 x 998 x 35 mm
Weight	24,9 kg
Front & back cover	2,5 mm hardened solar glass
Frame material	anodized aluminium alloy
Embedding material	EVA
Connection	junction box $\geq$ IP 67
Number of diodes	3 bypass diodes
Cabel / connector	4 mm <sup>2</sup> , 1100 mm, MC4-compatible

## Temperature coefficients

Nom. operating cell temp. (NOCT)	45°C $\pm$ 2
Temperature coefficient of $I_{sc}$	+0,050 %/K
Temperature coefficient of $V_{oc}$	-0,290 %/K

## Operational conditions

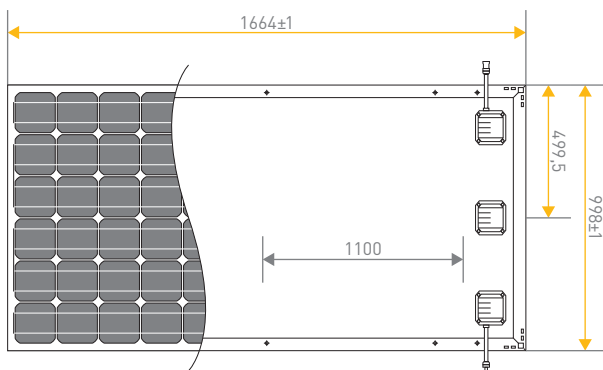
Maximum system voltage	1000 V DC (TÜV)
Operating temperatur	-40 bis 85°C
Maximum series fuse rating	20 A
Static load (snow/wind)	5400 Pa
Hail	$\varnothing$ 25 mm bei 23 m/s

## Electrical data<sup>1</sup>

### BS-300-6MBB5-GG BS-305-6MBB5-GG BS-310-6MBB5-GG

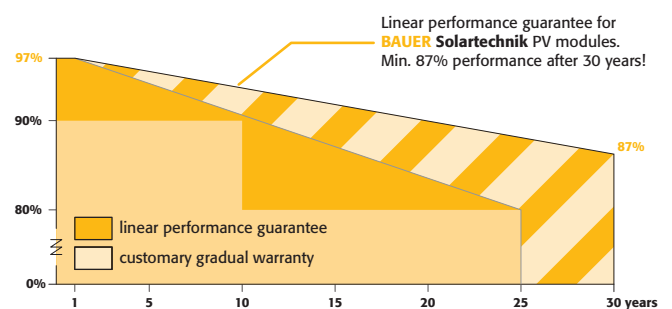
Nominal maximum power $P_{max}$ (W <sub>p</sub> )	300 W	305 W	310 W
Power output tolerance $P_{max}$ (%)	0 ~ +3	0 ~ +3	0 ~ +3
Optimum operating voltage $V_{mpp}$ (V)	33,50	33,90	34,20
Optimum operating current $I_{mpp}$ (A)	8,97	9,02	9,08
Short circuit current $I_{sc}$ (A)	9,66	9,76	9,82
Open circuit voltage $V_{oc}$ (V)	40,00	40,20	40,50
Module efficiency $\eta_m$ (%)	18,06	18,37	18,67

## Dimensions



## Warranty conditions<sup>2</sup>

Product warranty	30 years
Performance guarantee	30 years (min. 87% after 30 years)



## Packaging units

Modules per pallet	30 Stück
Module per truck	840 Stück

## Qualification & certification

EN IEC 61730-1:2018   EN IEC 61730-2:2018	CE
IEC 61215-1(ed.1)   IEC 61215-1-1(ed.1)   IEC 61215-2(ed.1)	

<sup>1</sup>Values under Standard Test Conditions (STC): air mass 1,5 AM, irradiance 1000 W/m<sup>2</sup>, cell temperature 25°C. STC measuring tolerance:  $\pm 3$  % ( $P_{max}$ ),  $\pm 10$  % ( $V_{max}$ ,  $I_{mpp}$ ,  $V_{oc}$ ,  $I_{sc}$ ). <sup>2</sup>Nominal value is specified in the written warranty conditions. Note: Please read safety instructions and installation manual before using this product. Subject to change. © 2019 Bauer Energiekonzepte GmbH. Effective 1st of august 2019.



Distribution:

**BAUER** **ENERGIEKONZEPTE**

Bauer Energiekonzepte GmbH  
Hinter der Mühle 2 · D-55278 Selzen

Telefon: +49 (0) 6737 - 8081 - 60  
Fax: +49 (0) 6737 - 8081 - 66

info@bauer-energiekonzepte.de  
www.bauer-energiekonzepte.de