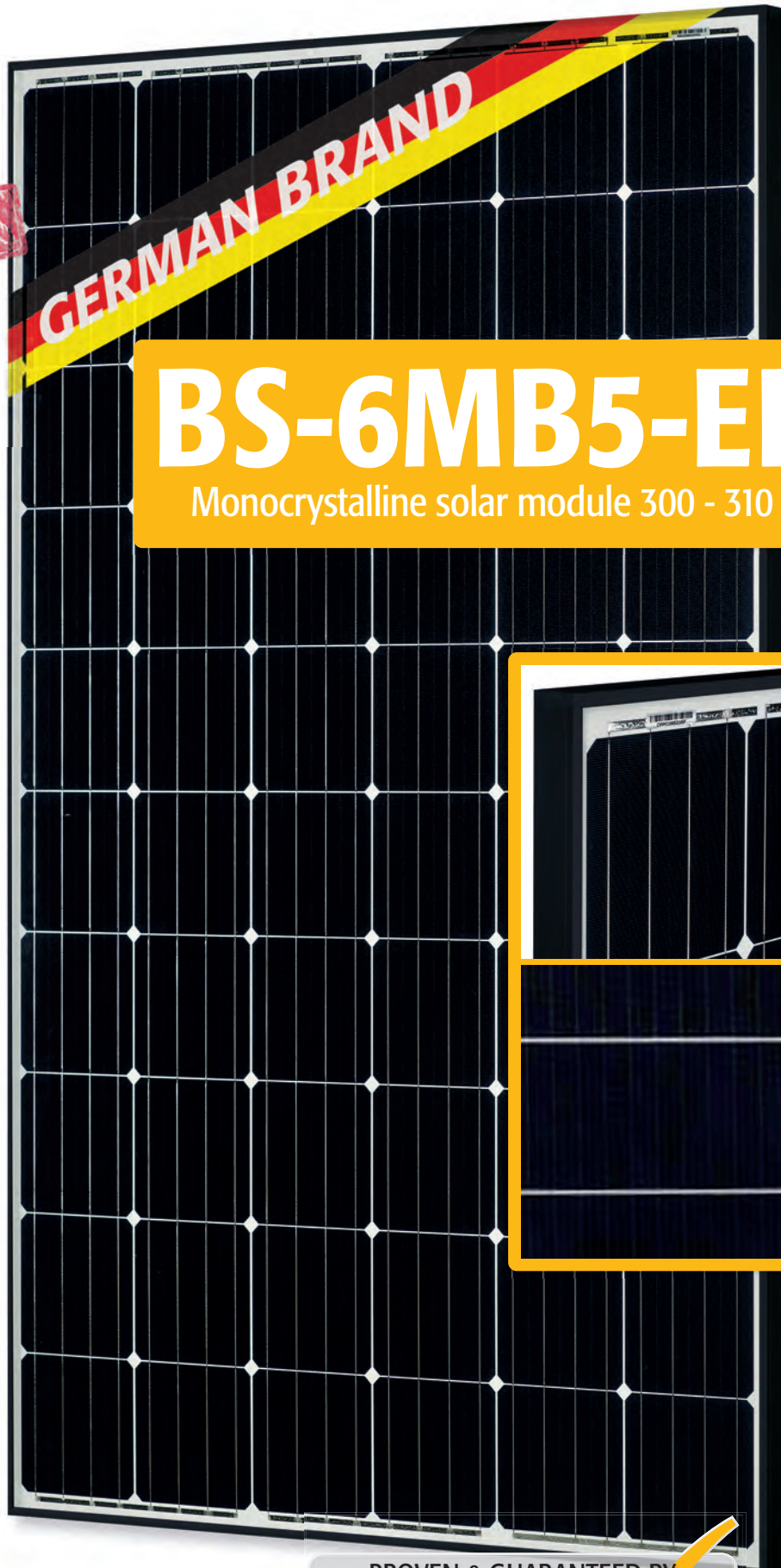


# BAUER

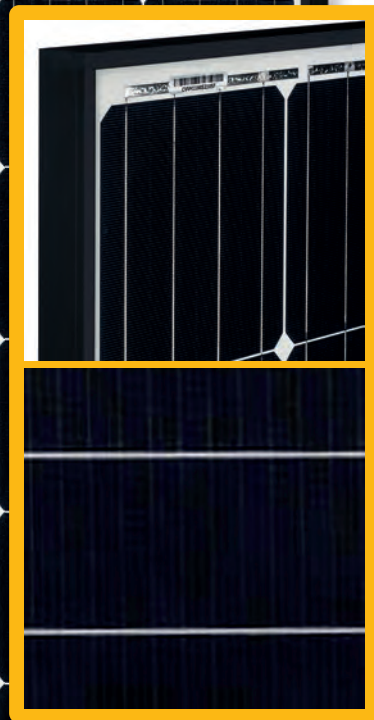
Solartechnik GmbH



## BS-6MB5-EL

Monocrystalline solar module 300 - 310 W

-  **PERFORMANCE GUARANTEE**  
20 years product warranty and a linear performance guarantee over a period of 25 years
-  **CERTIFICATION**  
Permanent in-house quality control, multiple certifications by accredited inspection bodies
-  **EFFICIENCY**  
High efficiency for optimum yield - innovations directly influence the production process
-  **POSITIVE POWER TOLERANCE**  
Exclusive delivery of solar modules with positive power tolerance only
-  **WEATHER-RESISTANT**  
Standardized mechanical load test guards against damage from wind and weather
-  **GERMAN GUARANTOR**  
In case of need it is ensured that a German company assumes the claim settlement
-  **SAFETY**  
High-quality components ensure maximum protection in all weather conditions
-  **HANDLING**  
Low storage / transport cost and easy installation thanks to an intelligent packaging concept



## Mechanical Data

Cell type	monocrystalline / PERC
Cell formation	6 x 10 (60)
Module dimensions	1640 x 990 x 35 mm
Weight	18,3 kg
Front cover	tempered glass, 3,2 mm
Frame material	anodized aluminium alloy
Module back	TPT foil
Embedding material	EVA
Connection	junction box $\geq$ IP 67
Number of diodes	3 x 2 bypass diodes
Cabel / connector	4 mm <sup>2</sup> , 900 mm, MC4-compatible

## Temperature coefficients

Nom. operating cell temp. (NOCT)	45°C $\pm$ 2
Temperature coefficient of $I_{sc}$	+0,050 %/K
Temperature coefficient of $V_{oc}$	-0,290 %/K

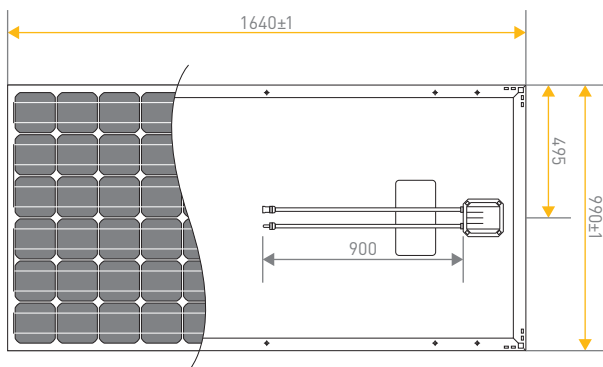
## Operational conditions

Maximum system voltage	1000 V DC (TÜV)
Operating temperatur	-40 bis 85°C
Maximum series fuse rating	20 A
Static load (snow/wind)	5400 Pa
Hail	$\varnothing$ 25 mm bei 23 m/s

## Electrical data<sup>1</sup>

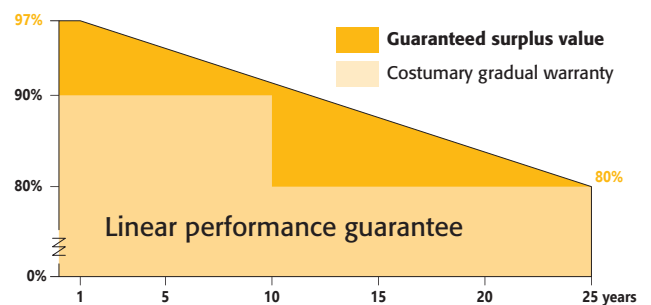
	BS-300-6MB5-EL	BS-305-6MB5-EL	BS-310-6MB5-EL
Nominal maximum power $P_{max}$ (W <sub>p</sub> )	300 W	305 W	310 W
Power output tolerance $P_{max}$ (%)	0 ~ +3	0 ~ +3	0 ~ +3
Optimum operating voltage $V_{mpp}$ (V)	32,20	32,40	32,60
Optimum operating current $I_{mpp}$ (A)	9,31	9,42	9,52
Short circuit current $I_{sc}$ (A)	9,60	9,72	9,81
Open circuit voltage $V_{oc}$ (V)	39,80	39,90	40,00
Module efficiency $\eta_m$ (%)	18,48	18,78	19,09

## Dimensions



## Warranty conditions<sup>2</sup>

Product warranty	20 years
Performance guarantee	25 years (min. 80% after 25 years)



## Packaging units

Modules per pallet	30 pcs
Modules per truck	840 pcs

## Qualification & certification

IEC 61215:2005  
IEC 61730-1:2004 / IEC 61730-2:2004



<sup>1</sup>Values under Standard Test Conditions (STC): air mass 1,5 AM, irradiance 1000 W/m<sup>2</sup>, cell temperature 25°C. STC measuring tolerance:  $\pm 3$  % ( $P_{max}$ ),  $\pm 10$  % ( $V_{max}$ ,  $I_{mpp}$ ,  $V_{oc}$ ,  $I_{sc}$ ). <sup>2</sup>Nominal value is specified in the written warranty conditions. Note: Please read safety instructions and installation manual before using this product. Subject to change. © 2019 Bauer Energiekonzepte GmbH. Effective 1st of august 2019.



Vertrieb:

**BAUER**   
ENERGIEKONZEPTE

Bauer Energiekonzepte GmbH  
Hinter der Mühle 2 · D-55278 Selzen

Telefon: +49 (0) 6737 - 8081 - 60  
Fax: +49 (0) 6737 - 8081 - 66

info@bauer-energiekonzepte.de  
www.bauer-energiekonzepte.de