

## MONO CRYSTALLINE HALF-CUT CELL MODULE

370 / 375 / 380 / 385 / 390 Watts

# Black Panther

## Overview

Ground breaking technology; higher power output of up to 10W, improved system performance - the ideal solution for end users who want a fast turnaround on their investments. A fully certified premium quality and high efficiency module made with A Grade materials.

## Key Benefits



Certified by Independent Engineering Bodies



Boost Power Output up to 10W



Engineered in EU



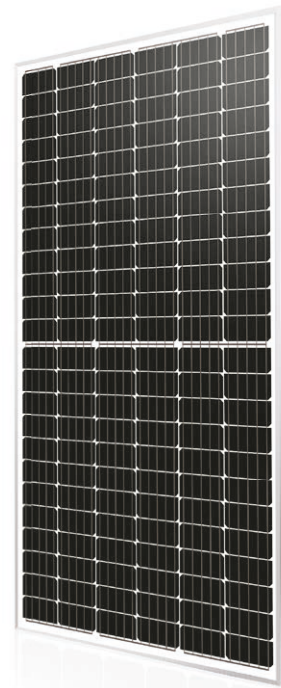
Reduce Resistive Losses



Better Performance in Reduced Irradiance Conditions



Higher Light Conversion



Guaranteed mechanical resistance to severe weather conditions



Guaranteed Positive Tolerance up to 5W



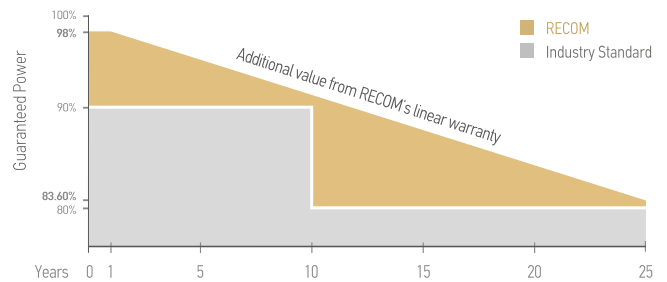
100% electro-luminescence tested

## Tests, Certifications and Warranties

Standard Tests	IEC 61215, IEC 61730
Factory Quality Tests	ISO 9001: 2008, ISO 14001: 2004
Certifications	Fire Rating Type 1, conformity to CE, PV CYCLE
Insurance	Product liability insurance provided by Allianz
Surface Maximum Load Capacity	Above 5400Pa
Positive Tolerance	Guaranteed positive tolerance of up to 5W
Junction Box	IP67 Rated, 3 diodes

Warranties	<ul style="list-style-type: none"> <li>• 15-year limited product warranty</li> <li>• 15-year manufacturer warranty on 88.55% of the nominal performance</li> <li>• 25-year transferable linear power output warranty</li> </ul>
------------	---------------------------------------------------------------------------------------------------------------------------------------------------------------------------------------------------------------------------------

## Linear Performance Warranty



First Year Output  $\geq 98\%$     2-24 Year Decline  $\leq 0.60\%$     25 Year Output  $\geq 83.60\%$

# MONO CRYSTALLINE HALF-CUT CELL MODULE

RCM-xxx-6MH (xxx=370-390)

## Electrical Characteristics

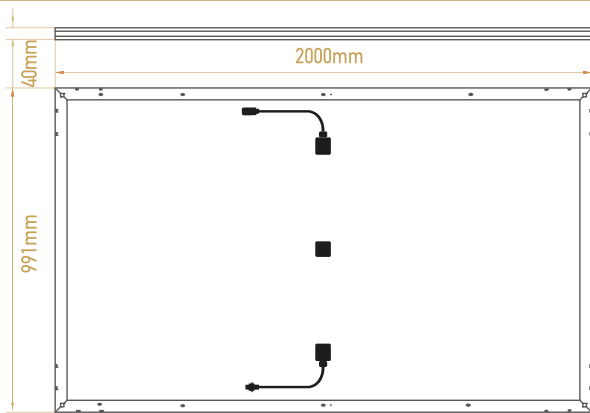
Rated Power	370W	375W	380W	385W	390W
Power Tolerance	0~+5W	0~+5W	0~+5W	0~+5W	0~+5W
Maximum Power Voltage (Vmp)	39.50V	39.80V	40.13V	40.46V	40.79V
Maximum Power Current (Imp)	9.42A	9.47A	9.52A	9.57A	9.62A
Open Circuit Voltage (Voc)	47.50V	47.80V	48.10V	48.40V	48.70V
Short Circuit Current (Isc)	9.97V	10.03V	10.09V	10.15V	10.21V
Module Efficiency	18.77%	19.02%	19.28%	19.54%	19.80%
Maximum Series Fuse	25A	25A	25A	25A	25A
Maximum System Voltage	1.500 VDC (IEC)				

Tested at Standard Test Conditions. Measurement tolerances:  $\pm 3\%$

## Mechanical Data

Dimensions	2000mm x 991mm x 40mm
Weight	22.6 Kg
Frame	Anodized aluminum
Front Glass	3.2mm ARC, low iron, tempered glass
Output Cables	TUV (2Pfg1169:2007), UL 4703, UL44 4.0mm <sup>2</sup> (0.006 in <sup>2</sup> ), MC4 type connectors

## Dimensions



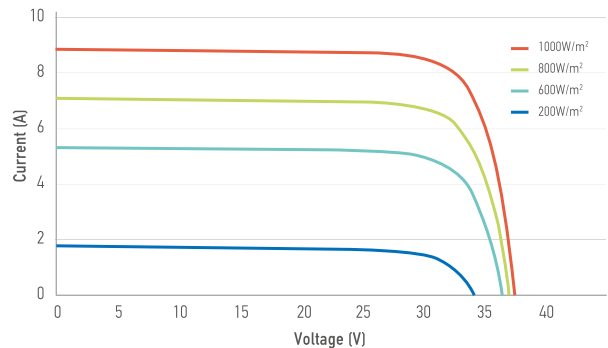
\*\*Release 2018-05, v6.1.

RECOM assumes no liability or responsibility for any typographical error, layout error, misinformation, any other error, omission, contained herein.

recom-solar.com

## I-V Curve

The module relative power loss at low light irradiance of 200W/m<sup>2</sup> is less than 3%.



## Temperature Characteristics

Pmax Temperature Coefficient	-0.41% / °C
Voc Temperature Coefficient	-0.32% / °C
Isc Temperature Coefficient	+0.05% / °C
Operating Temperature	-40~+85 °C
Nominal Operating Cell Temperature (NOCT)	45 $\pm$ 2 °C

## Packing Configuration

Container	40'HC
Pieces per Pallet	26
Pallets per Container	24
Pieces per Container	624

The specification and key features described in this datasheet may deviate slightly and are not guaranteed. Due to on-going innovation, research and product enhancement, RECOM Solar reserves the right to make any adjustment to the information described herein at any time without notice. Please always obtain the most recent version of the datasheet which shall be duly incorporated into the binding contract made by the parties governing all transactions related to the purchase and sale of the products described herein. Please read the safety and installation instructions before using the modules.