



L Series Full Black Mono Solar Module

SR-M660L	SR-M660300L
	SR-M660305L
300~315W	SR-M660310L
	SR-M660315L



0~3% positive tolerance



3.2mm high transmission, low iron tempered AR glass



Better performance under low light environment



Withstand wind loads up to 2400Pa and snow loads up to 5400Pa

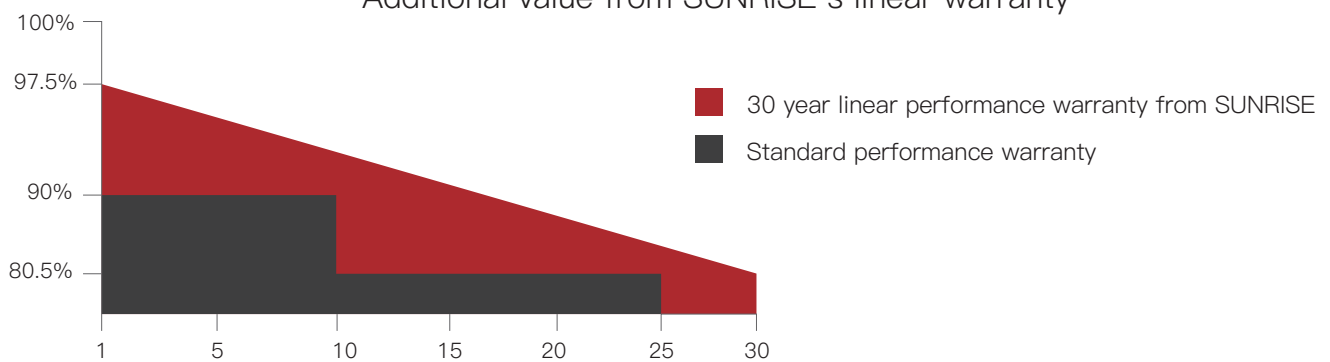


30 year leading linear performance warranty



PID-free

Additional value from SUNRISE's linear warranty

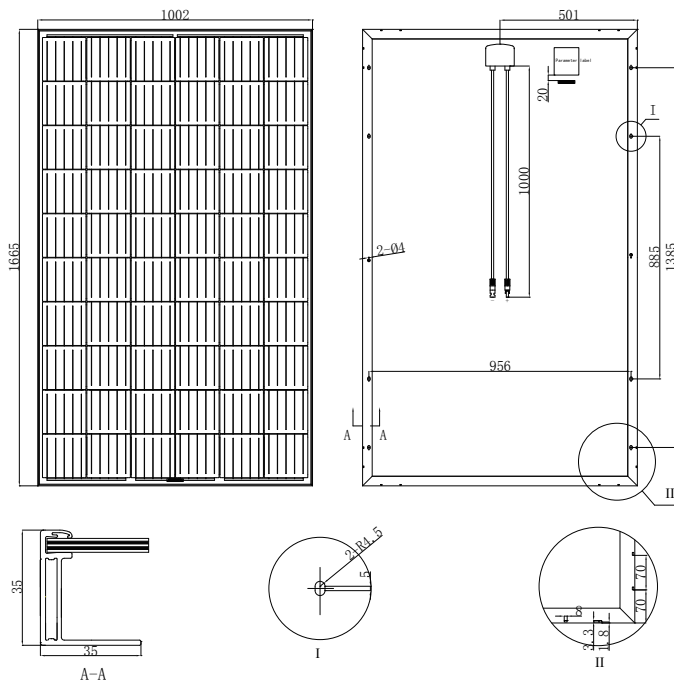


Module Type		SR-M660300L		SR-M660305L		SR-M660310L		SR-M660315L	
Test Environment		STC	NOCT	STC	NOCT	STC	NOCT	STC	NOCT
Tolerance	(%)	0~+3		0~+3		0~+3		0~+3	
Module Efficiency	(%)	17.99		18.29		18.59		18.88	
Maximum Power	P _{max} (W)	300	226	305	229	310	232	315	237
Open Circuit Voltage	V _{oc} (V)	39.91	36.91	40.16	37.15	40.39	37.42	40.64	37.59
Short Circuit Current	I _{sc} (A)	9.75	8.09	9.85	8.18	9.9	8.26	10.06	8.35
Maximum Power Voltage	V _m (V)	32.61	30.67	32.82	30.87	33.01	31.06	33.21	31.23
Maximum Power Current	I _m (A)	9.2	7.3	9.3	7.39	9.4	7.46	9.49	7.53
Cell Type	(mm)	158.75×158.75(Mono-Crystalline Silicon)							
Number of Cells	(Pcs)	60(6×10)							
Maximum System Voltage	(V)	DC1000							
Temp. Coeff. of Voc	(%/°C)	-0.35							
Temp. Coeff. of Isc	(%/°C)	0.05							
Temp. Coeff. of P _m	(%/°C)	-0.45							
Operating Temperature	°C	-40 to 85							
Nominal Operating Cell Temperature (NOCT)	°C	45±2							
Max. Series Fuse	(A)	15							
Pressure Bearing	(Pa)	5400							
Wind Bearing	(Pa)	2400							

STC: Irradiance 1000W/m², Cell temperature 25°C, AM1.5

NOCT: Irradiance 800W/m², Ambient temperature 20°C, Wind speed 1m/s

ENGINEERING DRAWINGS

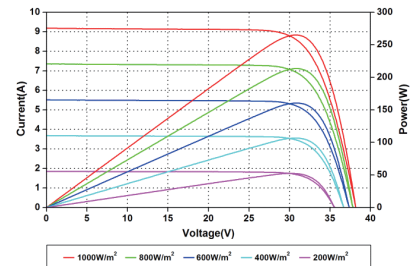


Manufactured in China

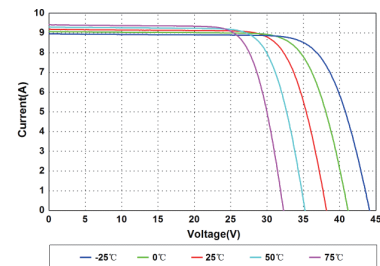
MATERIAL DETAILS

Frame	Anodized aluminum
Glass	3.2mm low-iron tempered sudee glass
Cell	6×10 pcs 158.75mm mono solar cell
Junction Box	Rated Current≥15A, I _p ≥67, TUV & UL
Cable&Connector	4mm ² , MC4 or MC4 compatible

IV CURVES



Current-Voltage and Power-Voltage Curves at Different Irradiances



Current-Voltage Curves at Different Temperatures

PACKING DETAILS

Dimension	(mm)	1665×1002×35
Weight	(kg)	19
Loading Capacity		348 pcs/20'GP 924 pcs/40'HC
Packing	pcs/pallet	30