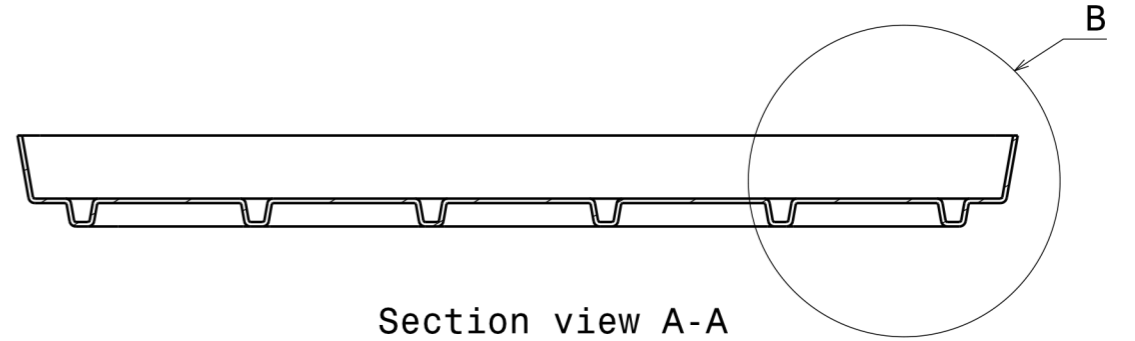
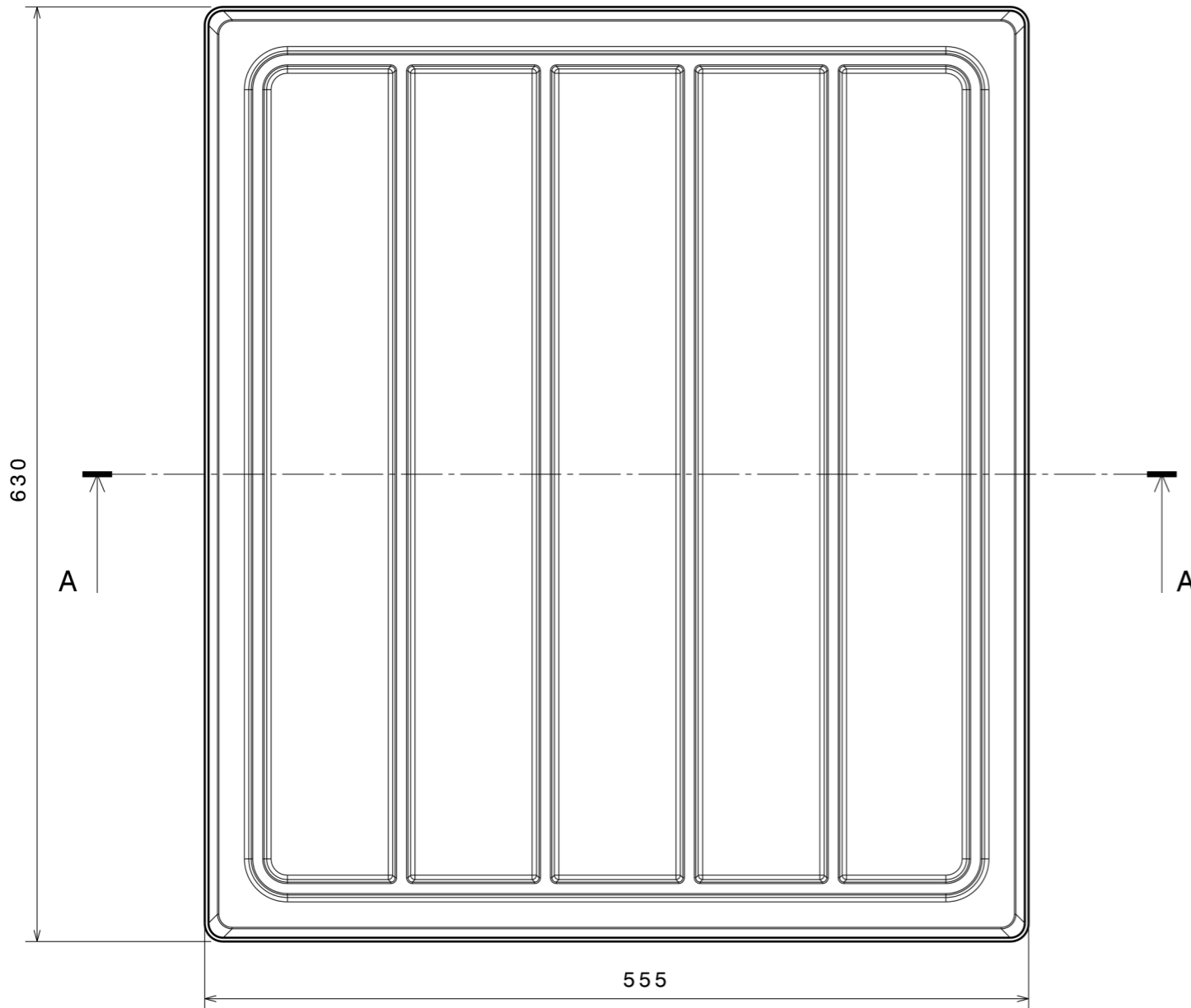




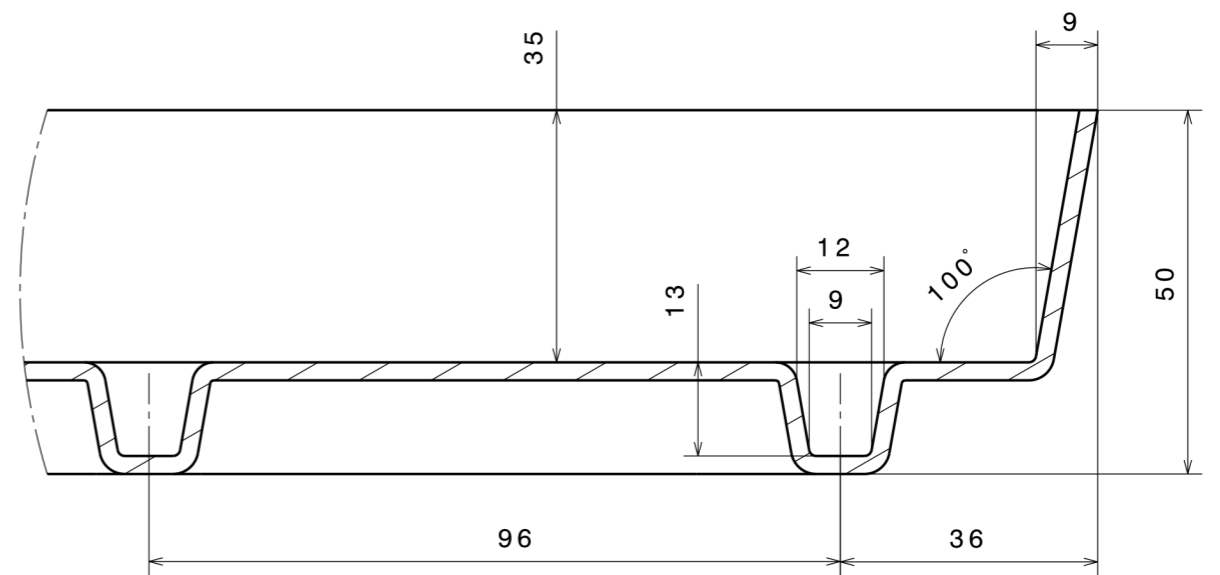
Front view



Section view A-A



Top view



Detail B

Tolerances at 20°C:

0000 - 1000 mm:	± 1,50 mm
1000 - 2000 mm:	± 2,00 mm
2000 - 3000 mm:	± 3,00 mm
3000 - 4000 mm:	± 4,00 mm
4000 - 5000 mm:	± 5,00 mm
5000 and above:	± 6,00 mm

Coefficient of Thermal expansion: 0,10 mm/(m·K)

Customer:	Ref:	Date:01.09.05	Order no:
Approved by costumer:		Material:HIPS	Color: Grey
Date: _____ - -200		UV-filter on toplayer: No	
Sign: _____		Type: 1/2-CC	
		Size: 555 x 630	
		Scale:	A3

