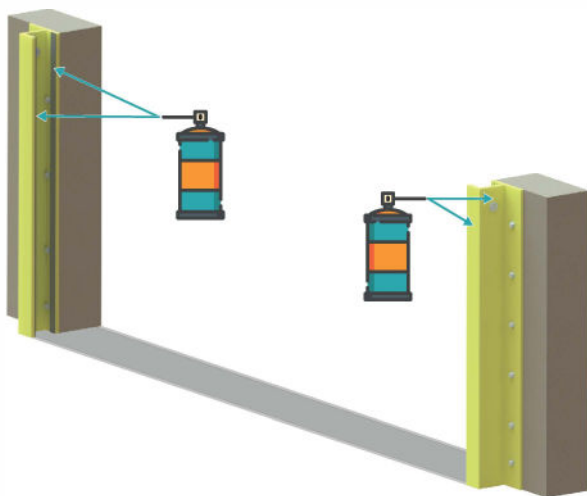
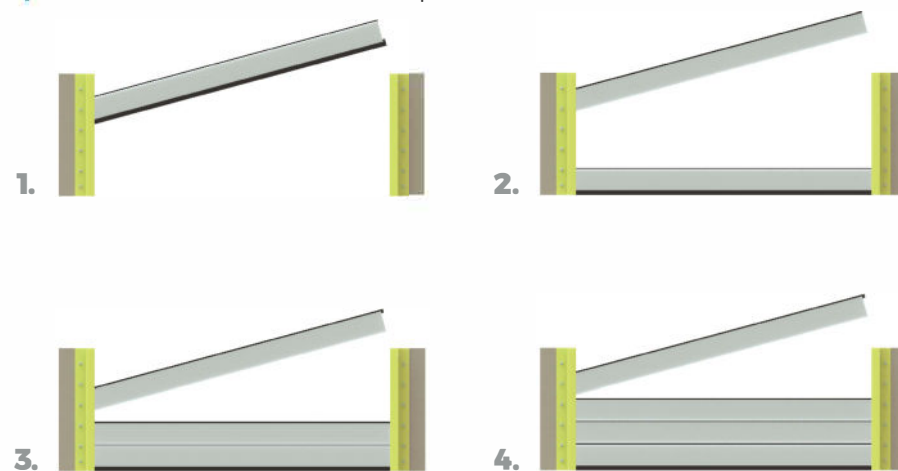


Installations instruktion för Flobar

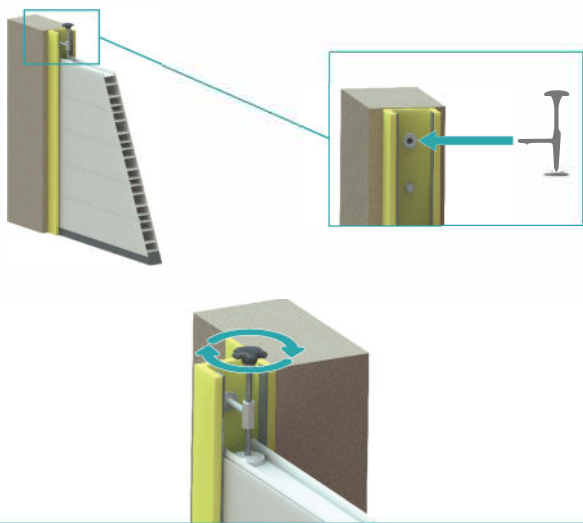
- 1.** Before assembly of the barrier beams, generously spray all the seals in the posts and on the barrier beams with the dedicated silicon oil attached to the system.



- 2.** Always start the assembly of the flood-protection barrier with the start panel equipped with the bottom seal. Insert one end of the beam in the guiding element at an angle and follow by inserting the other end. Next, level the beam horizontally (Picture 12). Repeat the actions when assembling other barrier beams. The barrier beams should be assembled with the seals up.



- 3.** Once all the beams are assembled, place the compression keys in the fixing holes located in the guiding elements and compress the system by turning the handles of the vertical compression screws.



- 4.** In the correctly compressed system, the bottom seal is compressed to the height of approximately 2 cm.

