



Catalogue
CATERING
Chapter
OVENS

Model
 APE-202 400/230V 3N/3 50/60Hz

19010954

24/01/2019

ADVANCE PLUS OVEN, APE-202

Innovative technology in the kitchen :

Professional quality

- Precision, excellence and perfect results
- Save time and money

Capacity for 40 1/1-GN trays or 20 2/1-GN trays.

"Touch control" screen.

4 cooking methods: Steam, Adjustable Steam (Humidity control during cooking), Regeneration and Convection (up to 300°C).

Preheating option.

Fagor Easy cooking mode.

Fagor Cooking, range of cooking programmes.

Fagor Multi-Tray System, control cooking by tray.

Delayed programming for: Cooking, Low-temperature cooking and Washing.

Memory function: records the different cooking methods used.

3 Speeds - 2 power ranges.

Cold-Down chamber cooling system.

"Auto-reverse" system to reverse fan rotation.

5 wash programmes.

Multisensor temperature probe.

PC management software: History, recipes. HACCP, manuals...

HACCP cooking data recording system.

Steam generator equipped with limescale detector.

Steam generator automatically empties every 24 hours of cooking.

Semi-automatic limescale removal system.

Error detection system.

"Repair service" mode system.

IPX-5 protection.

Retractable shower.

Built-in trolley and structure for trays.

Power: 62.4 KW.

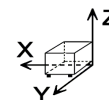
Accessories in option:

Loading trolley for dishes CEP-202

Thermal cover LT-202

- GN trays, grids, moulds...

DIMENSIONS



X Width	1162 mm	X Gross width	1250 mm
Y Depth	1074 mm	Y Gross depth	1200 mm
Z Height	1841 mm	Z Gross height	2080 mm
Net Weight	401,0 kg	Gross Weight	468,0 kg
Net volume	2,298 m3	Gross volume	3,120 m3

ELECTRICITY TECHNICAL SPECIFICATIONS

Electric power	62,400 kW
Heating power	60,00 kW
Voltage	400/230V - 3N/3
Amperage	97/161
Electric frequency	50/60Hz

WATER TECHNICAL SPECIFICATIONS

Water max consumption	40,00 L/h
Pressure	H2O: 200-400kPa(2-4bar)

OTHERS

Noise level	60,00 dB
-------------	----------



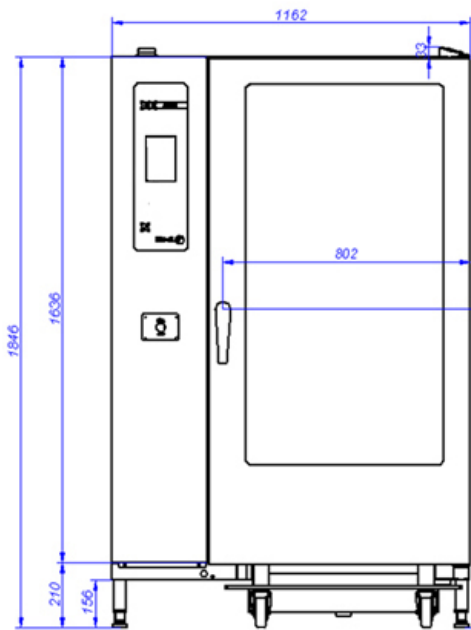
Catalogue
CATERING

Chapter
OVENS

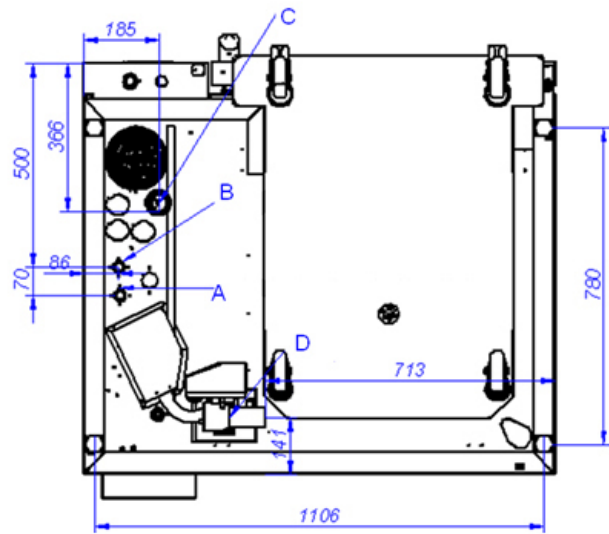
Model
APE-202 400/230V 3N/3 50/60Hz

19010954

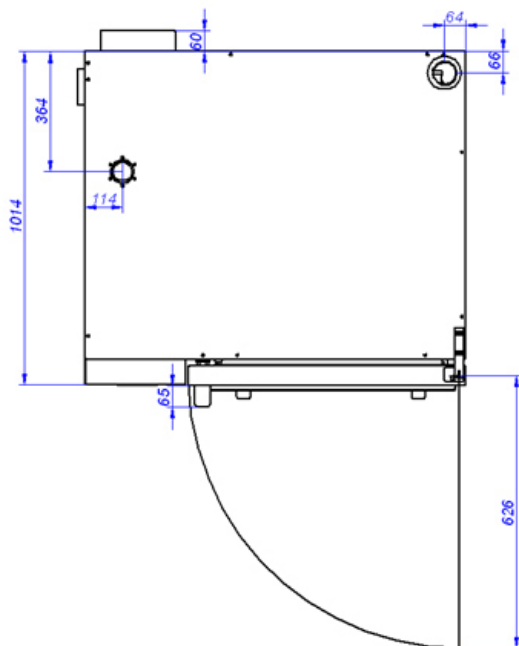
24/01/2019



APE-202



VISTA DE LA BASE DESDE LA PARTE INFERIOR
VIEW FROM THE BOTTOM OF THE MACHINE



A: Entrada de agua blanda
B: Entrada de agua dura
D: Desagüe

C: Alimentación eléctrica

A: Soft water inlet
B: Water inlet
D: Drain

C: Electrical connection