



**Catalogue**  
**CATERING**  
**Chapter**  
**OVENS**

**Model**  
 APE-061 400/230V 3N/3 50/60Hz

19010970

24/01/2019

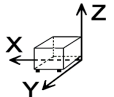
ADVANCE PLUS OVEN, APE-061  
 Innovative technology in the kitchen :

Professional quality  
 - Precision, excellence and perfect results  
 Save time and money

- Capacity for 6 1/1-GN trays.
- "Touch control" screen.
- 4 cooking methods: Steam, Adjustable Steam (Humidity control during cooking), Regeneration and Convection (up to 300°C).
- Preheating option.
- Fagor Easy cooking mode.
- Fagor Cooking, range of cooking programmes.
- Fagor Multi-Tray System, control cooking by tray.
- Delayed programming for: Cooking, Low-temperature cooking and Washing.
- Memory function: records the different cooking methods used.
- 3 Speeds - 2 power ranges.
- Cold-Down chamber cooling system.
- "Auto-reverse" system to reverse fan rotation.
- 5 wash programmes.
- Multisensor temperature probe.
- PC management software: History, recipes. HACCP, manuals...
- HACCP cooking data recording system.
- Steam generator equipped with limescale detector.
- Steam generator automatically empties every 24 hours of cooking.
- Semi-automatic limescale removal system.
- Error detection system.
- "Repair service" mode system.
- Quick door-closing system.
- IPX-5 protection.
- Retractable shower.
- Power: 10.2 kW.

Accessories in option:  
 Support SH-61  
 Neutral Support-cabinet ANH or hot cabinet ACH  
 - GN trays, grids, moulds...

**DIMENSIONS**



X Width	898 mm	X Gross width	980 mm
Y Depth	867 mm	Y Gross depth	1001 mm
Z Height	846 mm	Z Gross height	1100 mm
Net Weight	143,0 kg	Gross Weight	176,0 kg
Net volume	0,659 m3	Gross volume	1,079 m3

**ELECTRICITY TECHNICAL SPECIFICATIONS**

Electric power	10,200 kW
Heating power	9,00 kW
Voltage	400/230V - 3N/3
Amperage	18/28
Electric frequency	50/60Hz

**WATER TECHNICAL SPECIFICATIONS**

Water max consumption	22,00 L/h
Pressure	H2O: 200-400kPa(2-4bar)



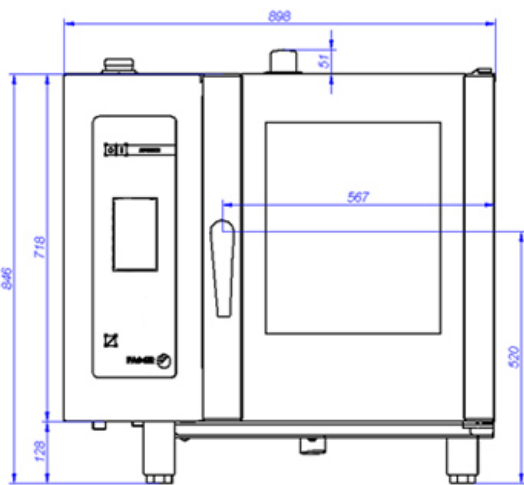
Catalogue  
**CATERING**

Chapter  
**OVENS**

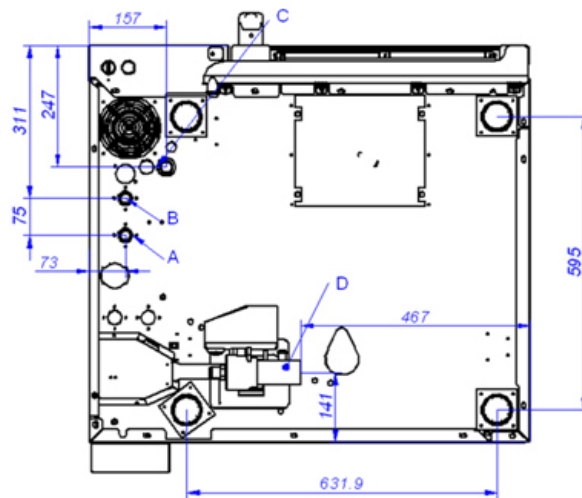
Model  
**APE-061 400/230V 3N/3 50/60Hz**

19010970

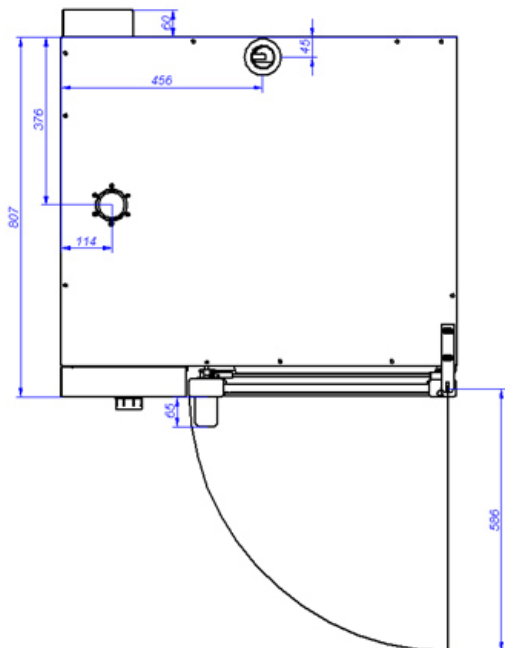
24/01/2019



**APE-061**



VISTA DE LA BASE DESDE LA PARTE INFERIOR  
VIEW FROM THE BOTTOM OF THE MACHINE



A: Entrada de agua blanda  
B: Entrada de agua dura  
D: Desagüe

C: Alimentación eléctrica

A: Soft water inlet  
B: Water inlet  
D: Drain

C: Electrical connection