



**Catalogue**  
**CATERING**  
**Chapter**  
**OVENS**

**Model**  
 AE-202 400/230V 3N/3 50/60Hz

19010961

24/01/2019

**ELECTRIC ADVANCE COMBI OVEN, AE-202**

High quality, fast cooking :

Professional quality  
 Easy to use and efficient  
 perfect results  
 Affordable

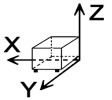
Capacity for 20 2/1-GN trays or 40 1/1-GN trays.  
 Built-in structure for trays with incorporated loading trolley CEB-202

Push-button and "Scrolling" controls.  
 5 cooking methods: Steam, Low-temperature steam, Regeneration, Combination and Convection (up to 300°C).  
 Preheating option.  
 Overnight cooking or low-temperature programme.  
 3 Speeds - 2 power ranges.  
 Cold-Down chamber cooling system.  
 "Auto-reverse" system to reverse fan rotation.  
 Multisensor core temperature probe.  
 Steam generator equipped with limescale detector.  
 Steam generator automatically empties every 24 hours of cooking.  
 Semi-automatic limescale removal system.  
 Error detection system. "Repair service" mode system.  
 IPX-5 protection.  
 AUTOMATIC CLEANING - Wash program for the cooking chamber.  
 Retractable shower.  
 Door with double glass.

Accessories in option:

Structure for dishes with incorporated Loading trolley CEP-202  
 Thermal cover LTE-202

**DIMENSIONS**



X Width	1162 mm	X Gross width	1250 mm
Y Depth	1074 mm	Y Gross depth	1200 mm
Z Height	1841 mm	Z Gross height	2080 mm
Net Weight	395,0 kg	Gross Weight	461,0 kg
Net volume	2,298 m3	Gross volume	3,120 m3

**ELECTRICITY TECHNICAL SPECIFICATIONS**

Electric power	62,400 kW
Heating power	60,00 kW
Voltage	400/230V - 3N/3
Amperage	97/161
Electric frequency	50/60Hz

**WATER TECHNICAL SPECIFICATIONS**

Water max consumption	40,00 L/h
Pressure	H2O: 200-400kPa(2-4bar)

**OTHERS**

Noise level	60,00 dB
-------------	----------



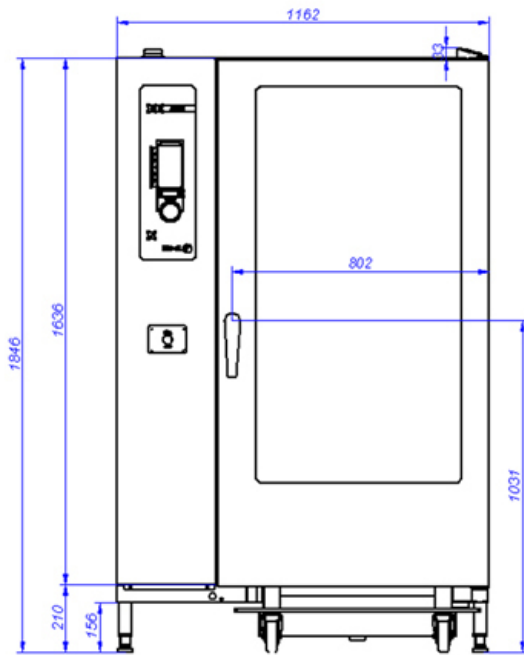
Catalogue  
**CATERING**

Chapter  
**OVENS**

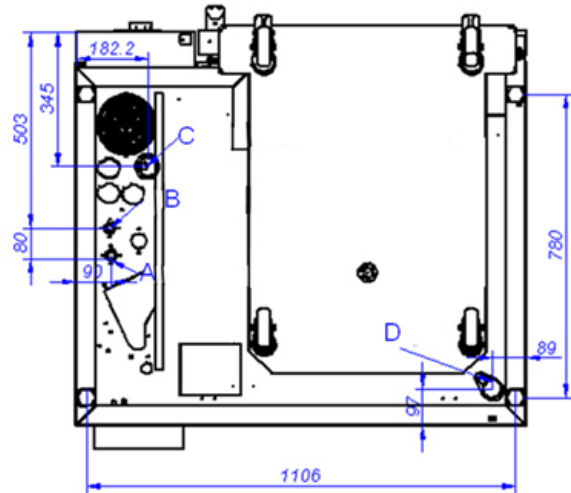
Model  
**AE-202 400/230V 3N/3 50/60Hz**

19010961

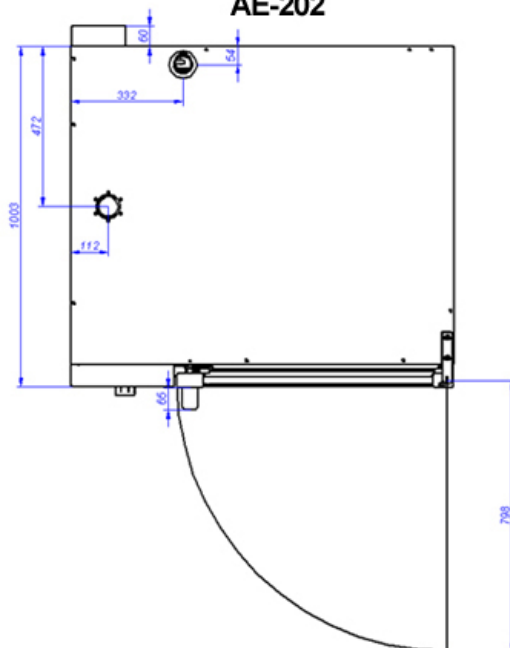
24/01/2019



**AE-202**



VISTA DE LA BASE DESDE LA PARTE INFERIOR  
VIEW FROM THE BOTTOM OF THE MACHINE



A: Entrada de agua blanda  
B: Entrada de agua dura  
D: Desagüe

C: Alimentación eléctrica

A: Soft water inlet  
B: Water inlet  
D: Drain

C: Electrical connection