



Catalogue
CATERING
Chapter
OVENS

Model
 ACE-061 400/230V 3N/3 50/60Hz

19010988

24/01/2019

ADVANCE CONCEPT INJECTION COMBI OVEN, ACE-061

Technology made simple:

- Easy to use
- efficient
- Simple
- Perfect results

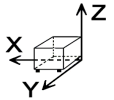
Capacity for 6 1/1-GN trays.

Digital push-button controls and two "Scroll" buttons.
 5 Cooking methods: Steam, Combi, Delta, Regeneration and Convection (up to 300°C).
 Steam generated by injection in the cooking chamber.
 Electronic temperature core probe.
 Preheating option.
 3 Speeds - 2 power ranges.
 Cold-Down chamber cooling system.
 "Auto-reverse" system to reverse fan rotation.
 Error detection system.
 Quick door-closing system. Double glass.
 "Repair service" mode system.
 IPX5 Protection.
 AUTOMATIC CLEANING - Wash program for the cooking chamber.

Accessories in option:

- Support SH-11
- Structure for trays EB-61
- Structure for dishes EP-61
- Loading trolley CP-11
- External shower

DIMENSIONS



| | | | |
|------------|----------|----------------|----------|
| X Width | 898 mm | X Gross width | 980 mm |
| Y Depth | 867 mm | Y Gross depth | 1001 mm |
| Z Height | 846 mm | Z Gross height | 1100 mm |
| Net Weight | 117,0 kg | Gross Weight | 149,0 kg |
| Net volume | 0,659 m3 | Gross volume | 1,079 m3 |

ELECTRICITY TECHNICAL SPECIFICATIONS

| | |
|--------------------|-----------------|
| Electric power | 10,200 kW |
| Heating power | 9,00 kW |
| Voltage | 400/230V - 3N/3 |
| Amperage | 18/28 |
| Electric frequency | 50/60Hz |

WATER TECHNICAL SPECIFICATIONS

| | |
|----------|-------------------------|
| Pressure | H2O: 200-400kPa(2-4bar) |
|----------|-------------------------|



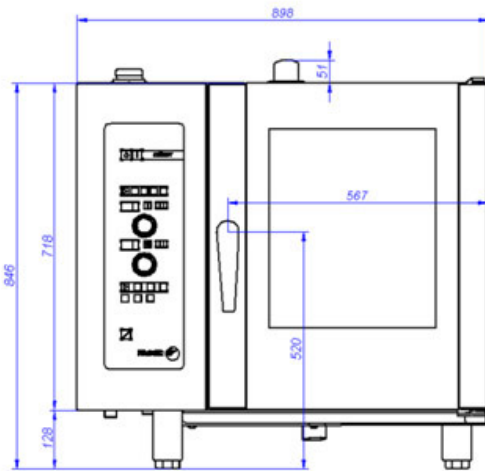
Catalogue
CATERING

Chapter
OVENS

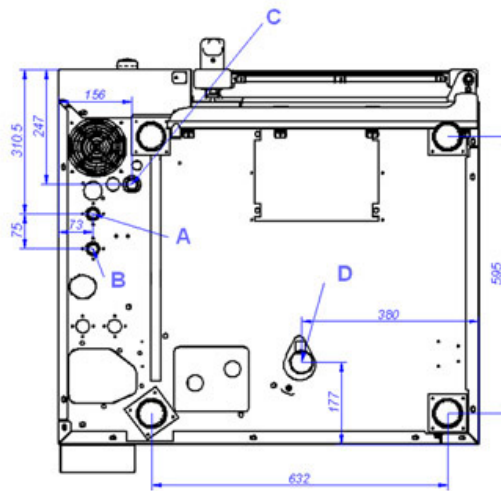
Model
ACE-061 400/230V 3N/3 50/60Hz

19010988

24/01/2019



ACE-061



VISTA DE LA BASE DESDE LA PARTE INFERIOR
VIEW FROM THE BOTTOM OF THE MACHINE

- A: Entrada de agua blanda
- B: Entrada de agua dura
- D: Desagüe

- C: Alimentación eléctrica

- A: Soft water inlet
- B: Water inlet
- D: Drain

- C: Electrical connection

