

The Banshee Excel™ CH sounder represents the most modern, acoustically advanced and by far the most versatile conventional electronic sounder available on the market today.

The sounder comes with 32 user-selectable tones incorporating low frequencies, high frequencies, European, American and Australian norms and all industry-standard frequency patterns.

Tested and approved to EN 54 Part 3, the Banshee Excel™ CH sounder boasts leading acoustics, aesthetically pleasing design and low power consumption. The unit is designed for ease of installation and is complemented by a wide selection of accessories to suit all applications.

Banshee Excel™ CH is manufactured in flame retardant ABS and is available in three colours, making it suitable for a wide range of alarm and signalling applications. The sounder is fitted with a professional capsule driven horn and uses the push and twist bayonet fitting Banshee<sup>MT</sup> base compatible with other products in the Banshee Excel™ range.



**FEATURES**

- 32 user-selectable tones - industry standard compatible
- Very low current consumption
- EN 54-3 tested and fully approved in accordance with CPR
- LPCB approved
- Uses same bases as Banshee<sup>MT</sup> - simple push and twist bayonet mounting with locking screw
- Available in three colours - red, white or grey
- Easy to install with side and rear cable entry
- Robust 'two in two out' 2.5 mm<sup>2</sup> terminals
- Three selectable volume levels
- Rated to IP 66 or IP 45
- Extensive family of accessories for a wide range of applications
- Recyclable

**SPECIFICATION**

Operating Voltage (V dc):	9-30
Operating Voltage EN 54-3 (V dc):	24 (20 -28)
Tone Current Consumption (mA):	See Sound Output Table#
Sound Output (dBA Typ @1 m):	See Sound Output Table#
Tones Available:	See Sound Output Table#
Body Colours:	Red, White or Grey
Operating Temperature:	-25°C to +70°C
Volume Control:	High, Medium (-10 d B(A)) Low (-20 d B(A))
Environment Category / IP Rating:	Type A/IP 45 Std Base Type B/IP 66 Deep Base

The unit meets minimum requirements of IP 21C Shallow Base and IP 33C Deep Base in accordance with EN 54-3

**APPROVALS**



**PART NUMBERS - SOUNDER**

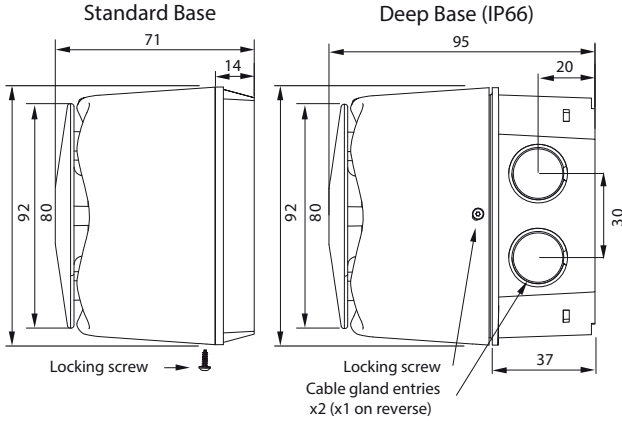
- 902CHA6A0: Banshee Excel CH - Red
- 902CHA4A0: Banshee Excel CH - White
- 902CHA5A0: Banshee Excel CH - Grey
- 903CHA6A0: Banshee Excel CH - Red, Deep Base IP 66
- 903CHA4A0: Banshee Excel CH - White, Deep Base IP 66
- 903CHA5A0: Banshee Excel CH - Grey, Deep Base IP 66

**PART NUMBERS - SPARES & ACCESSORIES**

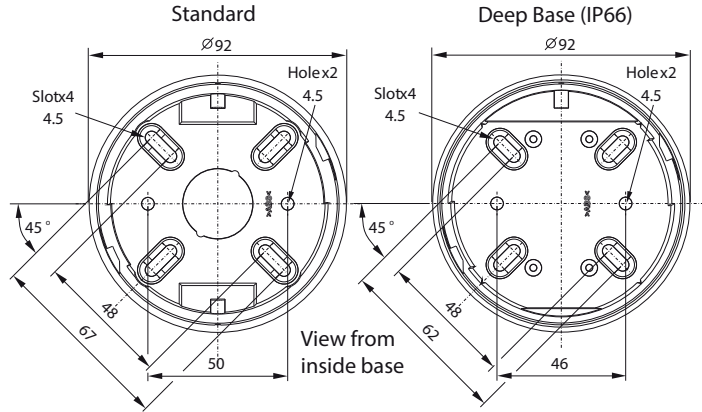
- 8502700: Mains Pack - 110 V ac/230 V ac input 24 V dc output
- 8502900: Flush Mounting Ring - for Banshee Excel, Excel Lite
- 8503100: External Fixing Clip for Deep Base
- (avoids drilling through base thus retaining IP 66 rating)
- BA87331/P: Deep Base - White, complete with 'O' Ring
- BA87341/P: Deep Base - Red, complete with 'O' Ring
- BA87351/P: Deep Base - Grey, complete with 'O' Ring

INSTALLATION

BANSHEE EXCEL CH SOUNDER



BANSHEE EXCEL COMMON BASE



Sound Output Table

No.	Sound Frequencies and Patterns	code 12345	Description	EN54-3 28Vdc see notes	Typ SPL@1m on axis		Typ Current mA	
					12V	24V	12V	24V
1	800Hz to 950Hz swept at 120Hz	00000	Banshee Buzz LF	-	94	100	6	12
2	800Hz to 950Hz swept at 9Hz	10000	Banshee Fast Sweep LF	3	94	100	6	12
3	800Hz to 950Hz swept at 3Hz	01000	Banshee Slow Sweep LF	-	94	100	6	12
4	Continuous at 900Hz	11000	Banshee Continuous LF	-	94	100	6	12
5	830Hz to 970Hz swept at 9Hz	00100	Banshee Fast Sweep LF (New)	-	93	100	6	12
6	800Hz to 970Hz swept at 1Hz	10100	Medium Sweep LF	3	94	100	6	12
7	Continuous at 950Hz	01100	Continuous LF	-	94	99	6	13
8	Intermittent at 950Hz 1s on, 1s off	11100	Backup Alarm LF	-	93	99	7	14
9	Alternating 800Hz/1000Hz at 1Hz	00010	Alternate LF	-	94	100	6	13
10	800Hz/1000Hz swept at 0.5s	10010	Medium Sweep LF	-	94	100	6	12
11	Alternating tones 800/950Hz at 3Hz	01010	Alternate LF	-	94	101	6	12
12	2400Hz to 2900Hz at 120Hz	11010	Banshee buzz HF	-	102	109	16	35
13	2400Hz to 2900Hz at 9Hz	00110	Banshee Fast Sweep HF	-	103	110	17	35
14	2400Hz to 2900Hz at 3Hz	10110	Banshee Slow Sweep HF	-	103	110	17	35
15	Continuous 2900Hz	01110	Banshee Continuous HF	-	103	109	19	39
16	2450Hz to 3100Hz swept at 9Hz	11110	Banshee Fast Sweep HF (New)	-	103	109	18	36
17	Intermittent at 2900Hz 1sec on, 1sec off	00001	Backup Alarm HF	-	103	109	18	36
18	Alternating tones 2400/2900Hz at 3Hz	10001	Alternate HF	-	104	110	16	36
19	500Hz rising to 1200Hz over 3.5 sec, silence 0.5sec,	01001	Slow Whoop	3	95	101	6	12
20	1200Hz falling to 500Hz over 1sec, silence 10mS	11001	Din Tone (DK)	3	93	100	5	10
21	554Hz for 100ms and 440Hz for 400mS	00101	French Fire Sounder	3	90	96	4	7
22	420Hz repeating 0.625 sec on, 0.625 sec off	10101	Australian Alert Signal	-	89	94	3	6
23	500Hz to 1200Hz sweeping 3.75 secs on, 0.25 secs off	01101	Australian Evacuation Signal	-	95	101	6	12
24	950Hz for 0.5s on 0.5s off, for 3 phases, silence for 1.5s	11101	US Temporal Tone LF	-	93	99	5	10
25	2900Hz for 0.5s on 0.5s off, for 3 phases, silence for 1.5s	00011	US Temporal Tone HF	-	103	109	13	26
26	Intermittent 660Hz 150mS on, 150mS off	10011	Swedish Tone (Fire)	-	90	96	3	6
27	Continuous 660Hz	01011	Swedish Tone (All Clear)	-	91	97	5	9
28	Intermittent 970Hz 500mS on, 500mS off	11011	ISO8201 LF	-	90	96	5	10
29	Intermittent 2900Hz 500mS on, 500mS off	00111	ISO8201 HF	-	103	109	13	27
30	Yodel 800Hz/1000Hz, 0.25 sec	10111	BT Banshee (FP1063.1)	-	94	100	6	12
31	Continuous 1000Hz	01111	BT Banshee (FP1063.1)	-	88	94	6	14
32	Bell Tone	11111	Bell Tone	-	94	99	12	25

- Volume control providing up to 20dB attenuation. All frequencies are nominal.
- Column EN54-3 shows tones approved under the Construction Product Directive.
- Polar diagram information is available in the technical manual, available on request.