

The BS-680FC is certified according to the European Standard EN 54-24: 2008 and compliant with the British Standard BS 5839-8: 2008.
DoP number is 1438/CPD/0178

■DESCRIPTION

Constructed with metal cabinet, the speaker is ideal for use in a voice alarm system. Can be surface- or flush- mounted to the wall. Either concealed in-wall wiring or exposed wiring can be used for speaker cable connection. The speaker structure of direct wall-mounting with screws prevents the speaker from falling easily even if an outward force is applied to. The input impedance can be easily changed by changing the tap position of the transformer. The built-in 16 cm double cone speaker unit delivers high quality sound. Two steatite screw terminal blocks (1 cable to 1 connection type) make bridge connection easier.

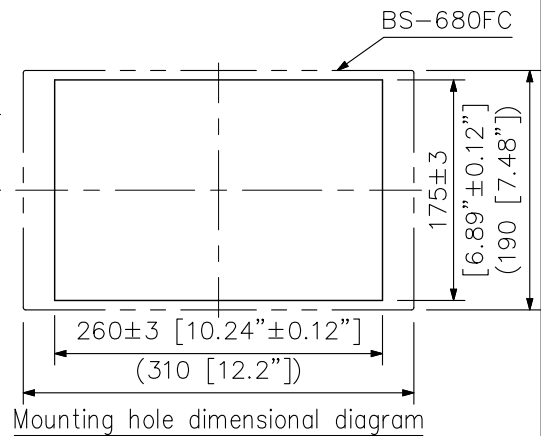
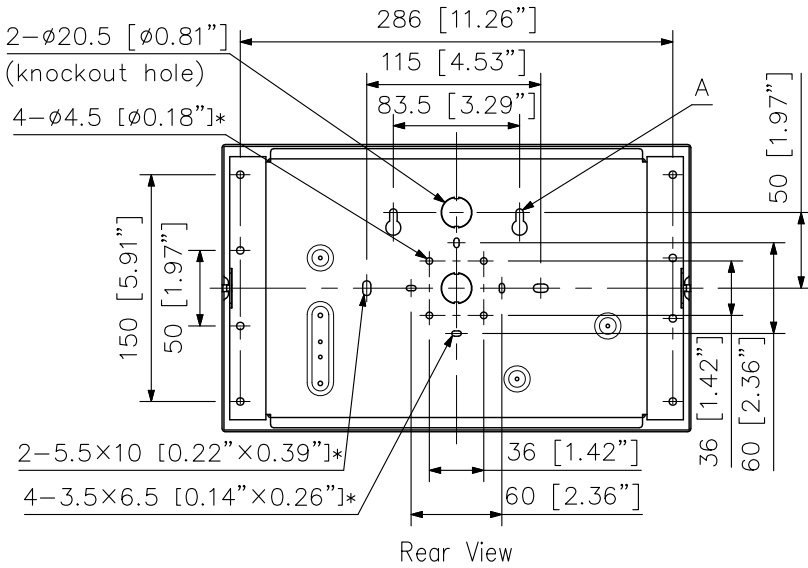
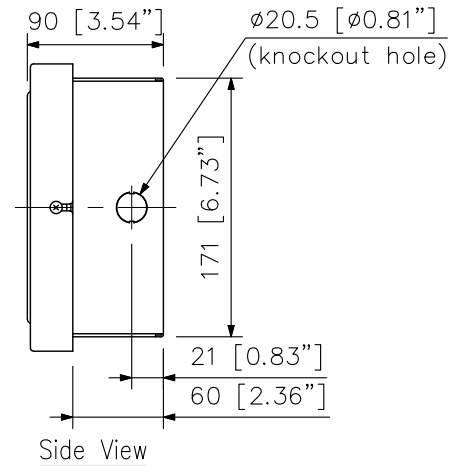
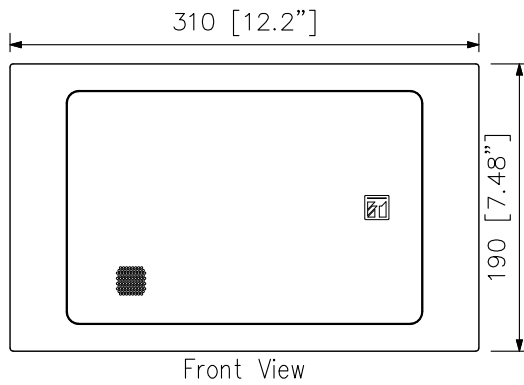
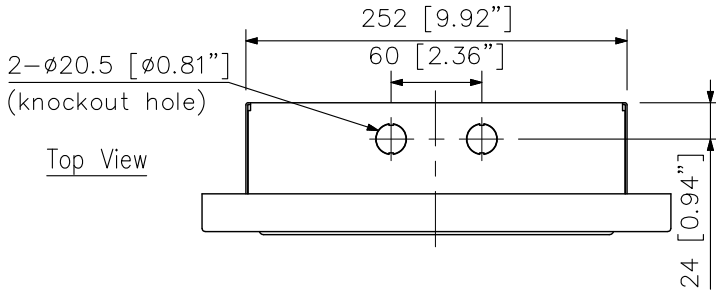
■SPECIFICATIONS

Rated Noise Power	6 W (100 V line), 3 W (70 V line)
Rated Impedance	100 V line: 1.7 kΩ (6 W), 3.3 kΩ (3 W), 6.7 kΩ (1.5 W), 13 kΩ (0.8 W) 70 V line: 1.7 kΩ (3 W), 3.3 kΩ (1.5 W), 6.7 kΩ (0.8 W), 13 kΩ (0.4 W)
Sensitivity	>94 dB (1 W, 1 m) (500 Hz - 5 kHz, pink noise) >77 dB (1 W, 4 m) (100 Hz - 10 kHz, pink noise) according to EN 54-24 >89 dB (1 W, 1 m) (100 Hz - 10 kHz, pink noise) converted based on EN 54-24
Maximum Sound Pressure Level*	>84 dB (6 W, 4 m) (100 Hz - 10 kHz, pink noise) according to EN 54-24 >96 dB (6 W, 1 m) (100 Hz - 10 kHz, pink noise) converted based on EN 54-24
Frequency Response	150 Hz - 20 kHz
Coverage Angle (-6 dB)	500 Hz: 180° (horizontal and vertical); 1 kHz: 140° (horizontal and vertical); 2 kHz: 120° (horizontal), 110° (vertical); 4 kHz: 100° (horizontal), 80° (vertical); according to EN 54-24
Environmental type	A (indoor applications) according to EN 54-24
Speaker Component	16 cm (6") double cone-type
Applicable Cable	Solid wire: ø1.0 - ø3.0 mm (AWG 18-9)
Connection	Screw connector (steatite terminal × 2) bridging
Finish	Baffle, Cabinet: Steel plate, off-white (RAL 9010 or equivalent color), paint Grille: Surface-treated steel plate net, off-white (RAL 9010 or equivalent color), paint
Dimensions	310 (W) × 190 (H) × 90 (D) mm (12.2" × 7.48" × 3.54")
Weight	2.6 kg (5.73 lb)
Accessory	Rubber grommet ×2, Speaker mounting screw (4 × 16) ×4

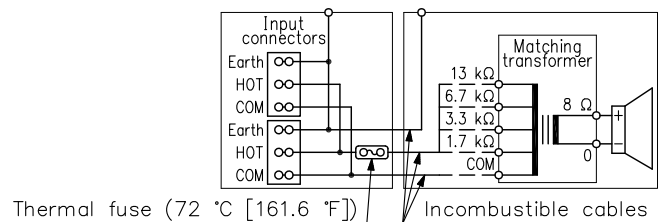
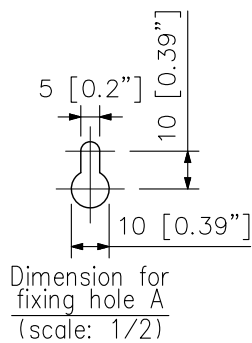
* TOA's rating is conservative, specifying a 100 % confidence level. According to notified body CNBOP the following measures have been verified: 89.7 dB at 6 W, 4 m and 101.7 dB at 6 W, 1 m.

[Note] The specification data was measured in an anechoic chamber.
Reference axis: axis is on the center of grill surface and perpendicular to the grill surface.
Reference plane: plane is on the grill surface and perpendicular to the reference axis.
horizontal plane: plane is containing the reference axis and perpendicular to the reference plane.

■ APPEARANCE



*Since no mounting screws are supplied with the speaker, separately prepare them appropriate for the construction of wall and its thickness.



UNIT:mm SCALE:1/5