

MA300 - SERIES



HEAVY DUTY INCREMENTAL ENCODER Ø 58 MM

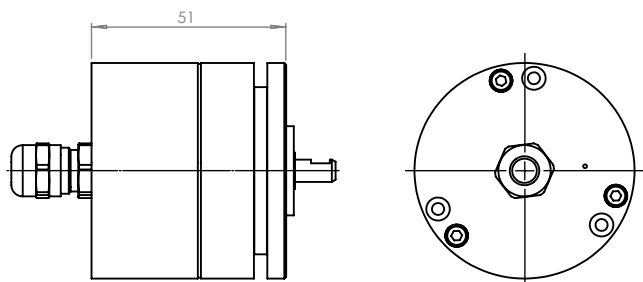
Encoder with special flange and 3 mounting holes M4

- Ø 58 mm
- 6 or 10 mm solid shaft with face
- Enlarged sturdy bearings, mechanically locked
- Short circuit and reversed polarity proof
- Dust and splash proof up to IP67
- Standard: 7-35 Vdc power supply, 300kHz
2 square wave signals
- Options: Marker pulse, with/without inverted signals
5 Vdc power supply, 300 kHz
Customization upon request

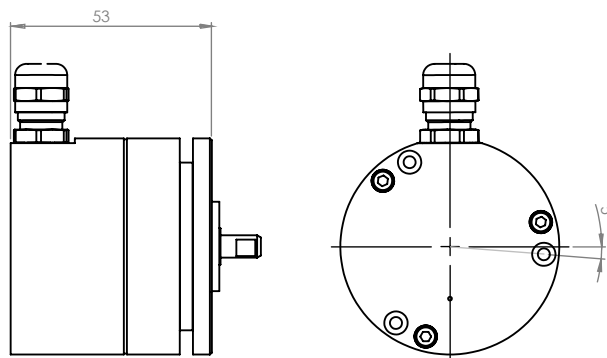


*Flexible and durable
encoder for demanding
applications*

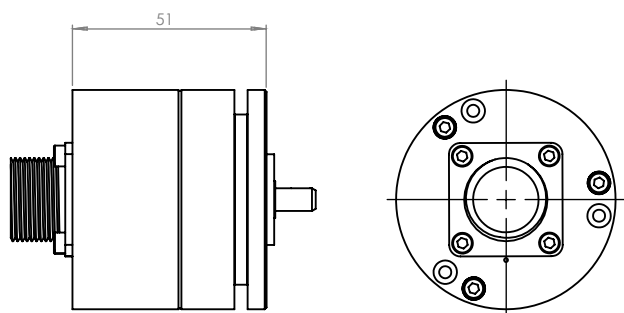
1. Axial cable, 1 m 6x0,22



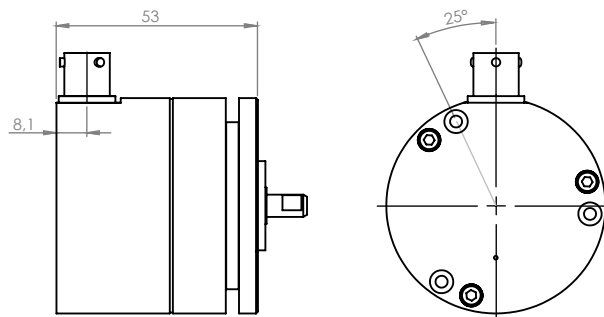
2. Radial cable, 1 m 6x0,22



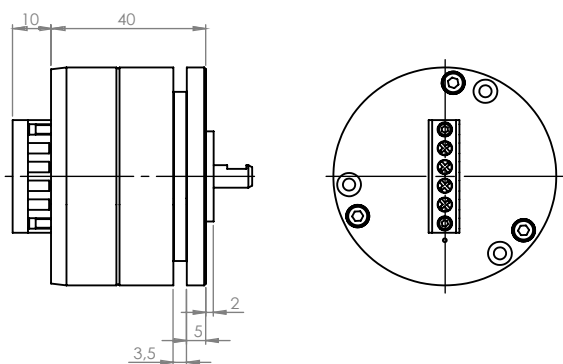
3. Axial 6-pin male MS connector



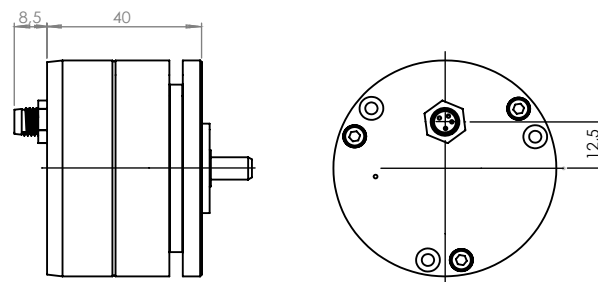
4. Radial 4-pin male KPT connector



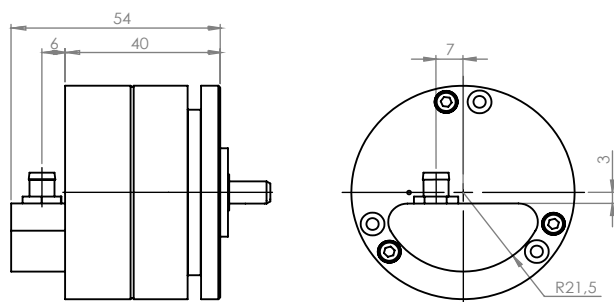
6. Axial 4-screw terminal



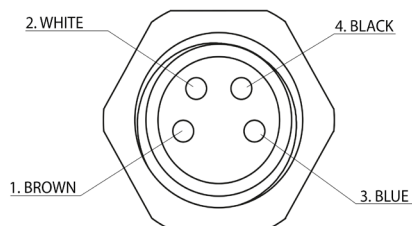
9. Axial 4-pin M8 male connector



44. Axial/Radial 4-pin M8 male connector



PIN-out description connection 9 & 44 (Male)

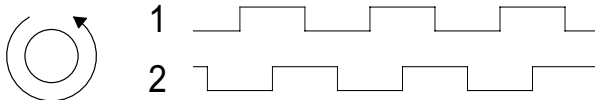


ELECTRICAL SPECIFICATION, STANDARD

Power supply	7–35 Vdc
Current consumption	Max 40 mA without load
Output circuit	HTL
Low level output volt	Max <0,5 V at 20 mA load and 20°C
High level output volt	Min >Vcc-2V at 20mA load and 20°C
Short circuit protected	Yes
Polarity protected	Yes
Transient protected	Yes
Max load	70 mA

OUTPUT SIGNALS, STANDARD

CCW rotation viewed
from shaft end



SIGNAL ACCURACY

Channel separation	90 el°
Max frequency	300 kHz
Operating temperature	-40° to +80°C

MECHANICAL SPECIFICATION

Housing	Aluminum, electrically conductive for increased interference protection
Sealing	IP67 dust and waterproof (IP66 at shaft outlet)
Bearings	Permanently greased
Bearing load at 1 000 rpm:	
Radial	180 N Gives 50 000 hrs bearing life
Axial	130 N
Max rpm	3 000 (6 000)
Vibration	20g 20-2000 Hz
Chock	200g at 11 ms
Weight	approx: 300 g (without cable)

CONNECTIONS

1. Axial cable, 1 m 6x0,22
2. Radial cable, 1 m 6x0,22
3. Axial 6-pin male MS connector
4. Radial 4-pin male KPT connector
6. Axial 4-screw terminal
9. Axial 4-pin M8 male connector
44. Axial/Radial 4-pin M8 male connector

FUNCTION

	Cable 1-2	3	4	6	9 & 44
1	Green	A	A	3	Blue (Pin 3)
2	Yellow	D	B	4	Black (Pin 4)
1 inverted	White	B	-	-	-
2 inverted	Black	C	-	-	-
+V	Red	E	C	1	Brown (Pin 1)
0V	Blue	F	D	2	White (Pin 2)

MATING CONNECTORS & CABLES

For connection 3, MS3106E-14S-6S

For connection 4, KPT06E8-4S

For connection 9 & 44

M8SR2, Snap Straight 2m 4x0,25 PUR/PUR

M8SR5, Snap Straight 5m 4x0,25 PUR/PUR

M8SV2, Snap Angled 2m 4x0,25 PUR/PUR

M8SV5, Snap Angled 5m 4x0,25 PUR/PUR

ORDERING CODE

	MA300	6	1000	1	X
Model	_____				
Shaft 6 or 10 mm	_____				
Pulserate 1 - 1024	_____				
Connection	_____				
X= meter cable	_____				