

## MB490 - SERIES



### HEAVY DUTY INCREMENTAL ENCODER Ø 60 MM


*Encoder with adapter flange for redundancy*

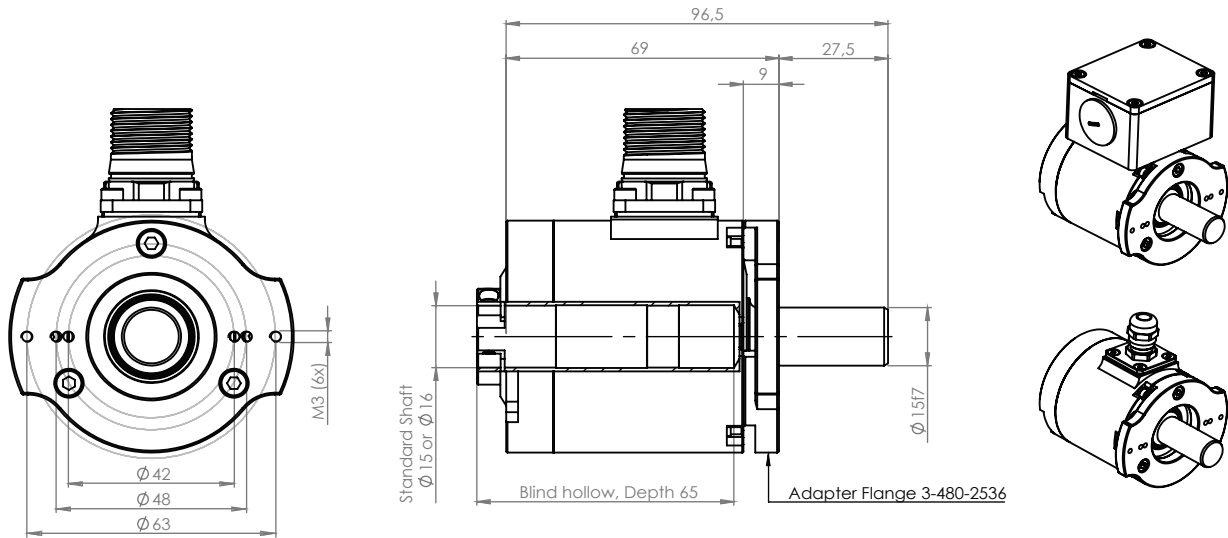
- Front end shaft: 15 or 16 mm semi hollow shaft
  - Back end solid shaft: standard seize 15 mm
  - Enlarged ceramic, non conductive, sturdy bearings
  - Short circuit and reversed polarity proof
  - Dust and waterproof IP67
  - Standard           7-35Vdc or 5Vdc Power Supply  
                          2 Square Wave Signals, 300kHz  
                          Marker Pulse, Inverted Signals
  - Option Customization upon request
- Front end solid shaft seize option: 12-25mm  
- Front end shaft semi hollow shaft seize option: 12mm to max 16mm  
- Back end solid shaft seize option: 10 to max 17 mm



*Flexible and durable  
encoder for demanding  
applications*

 File E342441

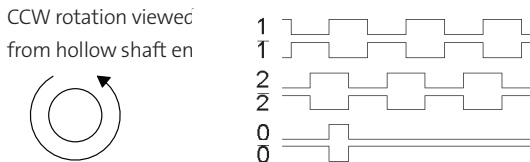
 Conforms to european EMC directive  
89/336/EEC standards:  
EN61000-6-4 emission in industrial environments  
EN61000-6-2 immunity in industrial environments



### ELECTRICAL SPECIFICATION, STANDARD

Electronic option	H (HTL)	or	T (TTL)
Supply voltage	7–35 Vdc(SELV)	or	5Vdc
Current consumption	Max 40 mA without load		
Output circuit	Linedriver RS422A compatible		
Low level output volt.	Max <0,5V at 20 mA load and 20°C		
High level output volt.	Min >Vcc-1V at 20mA load and 20°C		
Short circuit protected	Yes		
Polarity protected	Yes		
Transient protected	Yes		
Max load	70 mA		

### OUTPUT SIGNALS, STANDARD



### SIGNAL ACCURACY

Dividing error max	$\pm 50 \text{ el}^\circ$
Channel separation	$90 \pm 25 \text{ el}^\circ$
Max frequency	300 kHz
Operating temperature	-40° to +80°C

### MECHANICAL SPECIFICATION

Housing	Aluminum, electrically conductive for increased interference protection	
Sealing	IP67 dust and waterproof	
Bearings	Ceramic, non conductive	
Bearing load at	1 000 rpm:	
Radial	600 N	Gives 50 000 hrs bearing life
Axial	275 N	
Max rpm	9 000 rpm	
Vibration	20 g 22-2000 Hz	
Chock	100 g at 11 ms	
Weight	approx. 610 g. (without cable)	

Accredited testing according to standard:

IEC 60068-2-6	2008	Sine
IEC 60068-2-27	2008	Shock

### CONNECTIONS

A	Radial M23 Male Connector, CCW
B	Radial cable, 5m 8x0,25 TP/PUR with screen
C	Terminal box with cable gland for $\phi 6\text{-}\phi 12\text{mm}$

### FUNCTIONS

	A	B	C
1	5	Yellow	4
2	8	Green	6
0	3	Brown	8
1 inv.	6	Grey	5
2 inv.	1	White	7
0 inv.	4	Pink	9
+V	12	Red	1
0 V	10	Blue	2
+V sense	2	-	-
0V sense	11	-	-
Gnd	Chassi	Screen	Chassi

### SHAFT TYPE

B = Semi hollow Shaft      S = Solid Shaft

### ORDERING CODE

Model	MB490- A A -H1024-B16 - 15- S*
Material (Aluminium)	
Connection type	
Electrical option	
Pulserate 1024	
Shaft type	
Shaft diameter 1	
<b>Shaft diameter 2</b>	
<i>Special customization</i>	

**Shaft diameter to be specified for redundant option**

*To be specified upon customization*



Skogsvägen 1, SE-645 34 Strängnäs, Sweden  
 Tel: +46 152 33 11 90 Fax: +46 152 33 11 91  
 E-mail: info@emetaencoders.com  
 www.emetaencoders.com