

STATOR COUPLINGS



STATOR COUPLINGS

For MB480-Series

- For use with MB48-Series encoder
- Solid aluminium
- Available options:
 - R55 center encoder 3-480-2533
 - R70 center encoder 3-480-2534

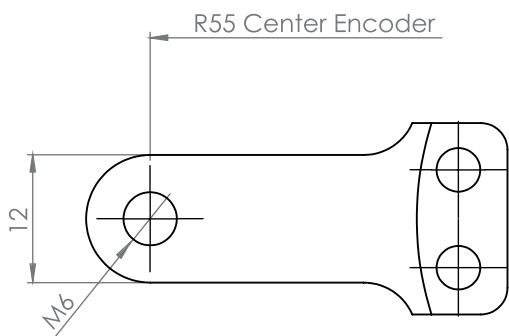


*Flexible and durable
encoder for demanding
applications*

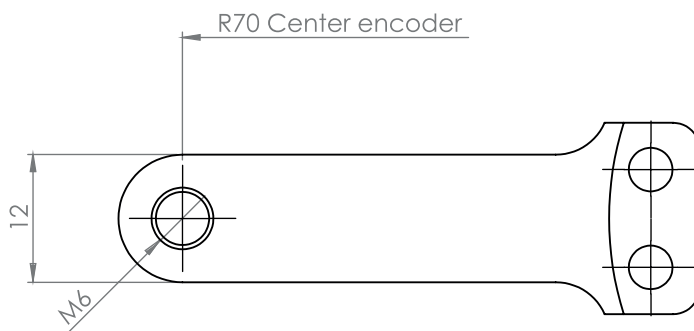
UL File E342441

CE Conforms to european EMC directive
89/336/EEC standards:
EN61000-6-4 emission in industrial environments
EN61000-6-2 immunity in industrial environments

DESCRIPTION STATOR COUPLINGS FOR MB480-SERIES



3-480-2533



3-480-2534

ORDERING KEY

R55 Center encoder	3-480-2533
R70 Center encoder	3-480-2534



Skogsvägen 1, SE-645 34 Strängnäs, Sweden
Tel: +46 152 33 11 90 Fax: +46 152 33 11 91
E-mail: info@emetaencoders.com
www.emetaencoders.com