

## STATOR COUPLING



### STATOR COUPLING

3-221-1121

- For use with hollow shaft encoders
- Suitable for use with:
  - MA200-Series
  - MB480-Series
- Steel

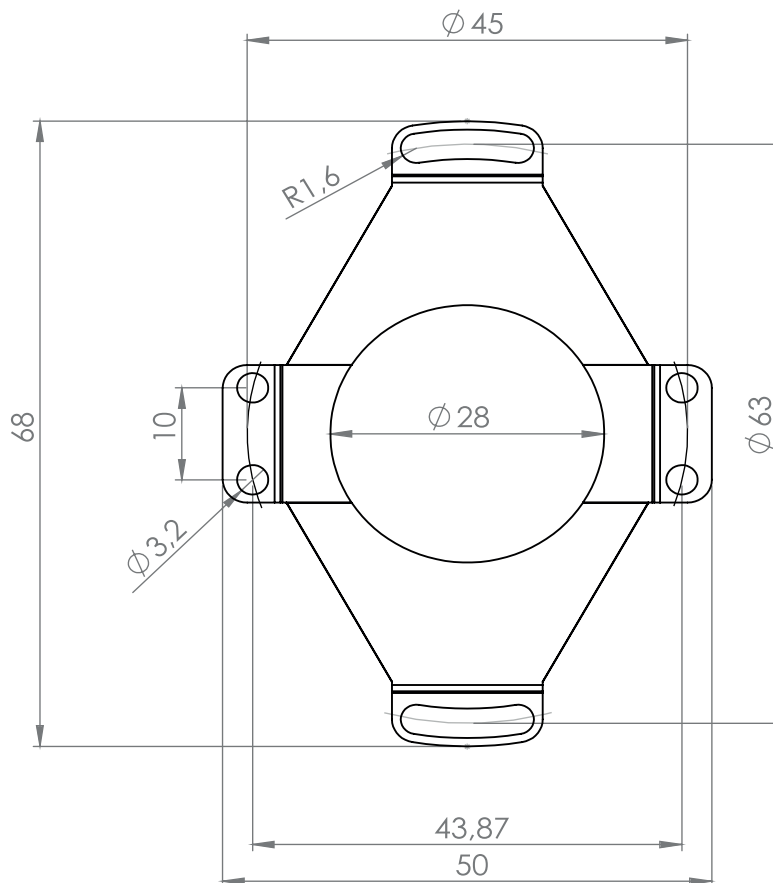


*Flexible and durable  
encoder for demanding  
applications*

**UL** File E342441

**CE** Conforms to european EMC directive  
89/336/EEC standards:  
EN61000-6-4 emission in industrial environments  
EN61000-6-2 immunity in industrial environments

# DESCRIPTION STATOR COUPLING 3-221-1121



**3-221-1121**  
Stator coupling

## ORDERING KEY

3-221-1121



Skogsvägen 1, SE-645 34 Strängnäs, Sweden  
Tel: +46 152 33 11 90 Fax: +46 152 33 11 91  
E-mail: [info@emetaencoders.com](mailto:info@emetaencoders.com)  
[www.emetaencoders.com](http://www.emetaencoders.com)