

MG553 - SERIES



BEARINGLESS INCREMENTAL ENCODER Ø 30 MM

Encoder with synchro flange

- High ingress protection class IP68
- Non-contact measuring principle
- No wearing parts and long useable life
- Small dimensions

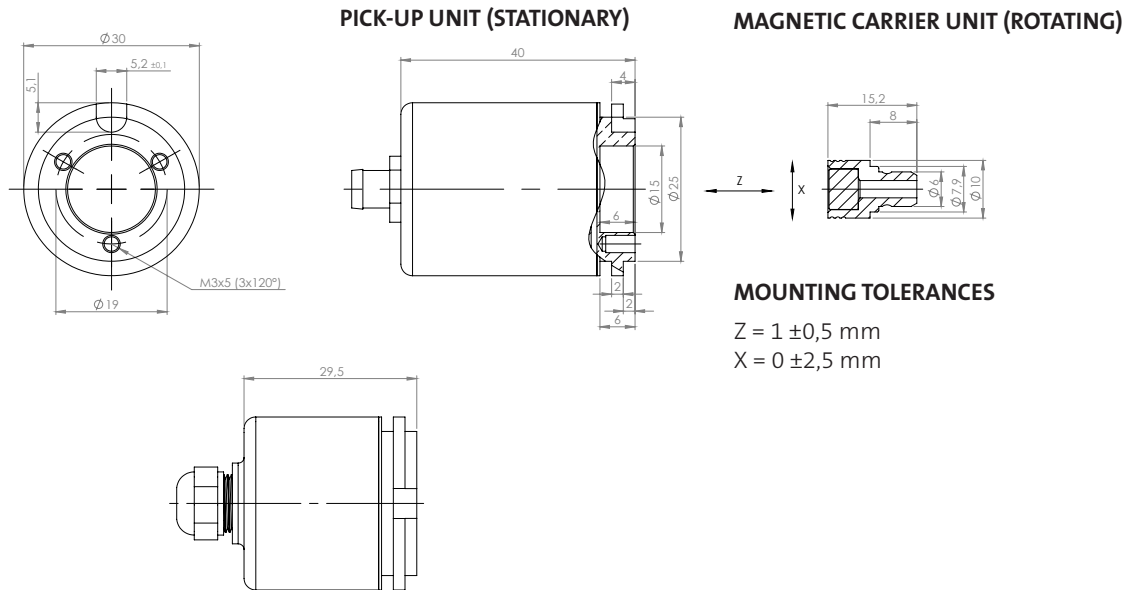
Standard: 7-35Vdc Power Supply, 100 kHz
2 Square Wave Signals up to 1024 ppr
Marker pulse with LED indication

Options: Inverted signals and Marker pulse
Customization upon request



*Flexible and durable
encoder for demanding
applications*

CE Conforms to european EMC directive 89/336/EEC
standards:
EN61000-6-4 emission in industrial environments,
EN61000-6-2 immunity in industrial environ

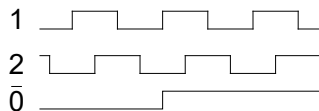
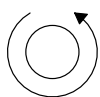


ELECTRICAL SPECIFICATION, STANDARD

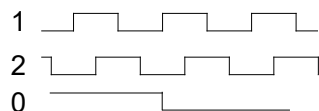
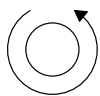
Power supply	Vcc 7–35 Vdc
Current consumption	Max 40 mA, without load
Output circuit	Line driver
Low level output volt	Max <0,5 V at 20 mA load and 20°C
High level output volt	Min >Vcc-2V at 20mA load and 20°C
Short circuit protected	Yes (thermal)
Polarity protected	Yes
Transient protected	Yes
Max load	70 mA

OUTPUT SIGNALS, MG553N (0inv-PULSE = 180° MECHANICAL)

CCW rotation seen from shaft end



OUTPUT SIGNALS, MG553P (0-PULSE = 180° MECHANICAL)



SIGNAL ACCURACY

Resolution	1 to 1024 ppr
Max frequency	100 kHz
Operating temperature	-40° to +70°C

MECHANICAL SPECIFICATION

Housing material	Aluminum, electrically conductive for increased interference protection
Encapsulation class	IP68 (IEC 60529)
Max. rotational speed	9000 rpm
Vibration	50g 20-2000 Hz (IEC 60068-2-6)
Chock	200g at 11 ms (IEC 60068-2-27)
Weight	Approx. 30 g (without cable)

CONNECTION

1xU	Axial cable, 5x0,25 PUR, free cable length
35	Axial 5-pin M8 connector

FUNCTION

Model	1XU	MG553N - Pin	MG553P - Pin
1	Green	Green 3	Green 3
2	Yellow	Yellow 4	Yellow 4
0	Grey	NC NC	Gray 5
0 invert	NC	Gray 5	NC NC
+V	Brown	Brown 1	Brown 1
0V	White	White 2	White 2

ORDERING CODE

Model	MG553N	6	17	1	X
Magnet carrier					
Pulserate (1-1024)					
Connection					
X= meter cable					

NC = Not Connected
Rev. 2 2022-10-17, Specifications in this datasheet is subject to change without prior notice.