

MG35-SERIES



BEARINGLESS INCREMENTAL ENCODER Ø 30 MM

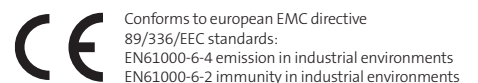
- High ingress protection class IP68
- Non-contact measuring principle
- No wearing parts with long useable life
- Small dimensions & Flat design

Standard: 7-35Vdc Power Supply, 100kHz
2 Square Wave Signals up to 1024 ppr
24 months Warranty

Options: 5V Power Supply

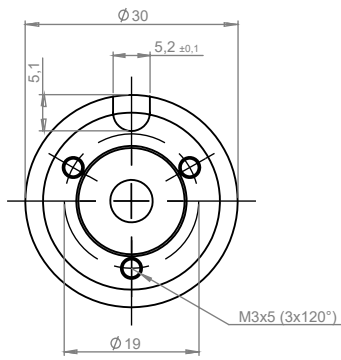


*Flexible and durable
encoder for demanding
applications*

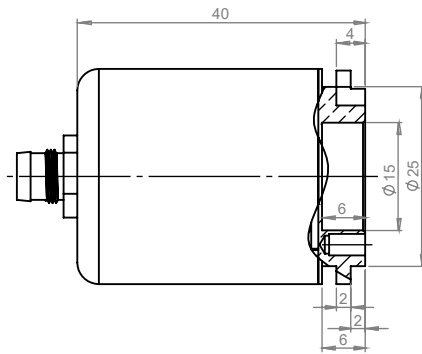


INCREMENTAL ENCODER MODEL

MG35-SERIES

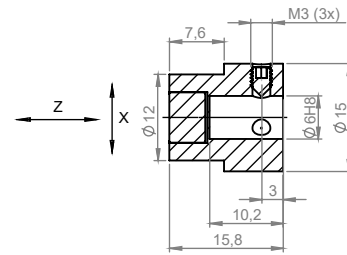


PICK-UP UNIT (STATIONARY)



MAGNETIC CARRIER UNIT (ROTATING)

MAGNET ACCESSORY PART NO. 106001

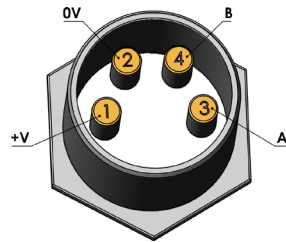


MOUNTING TOLERANCES (all models)

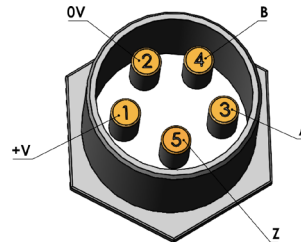
Z = $1 \pm 0,5$ mm

X = $0 \pm 0,25$ mm

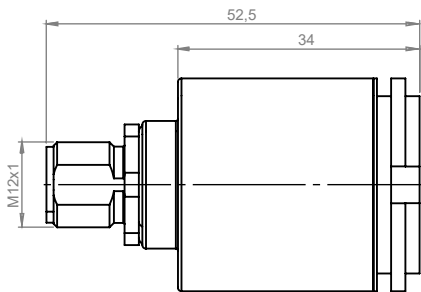
4 PIN M8 MALE ASSIGNMENT
DESCRIPTION -CON 34



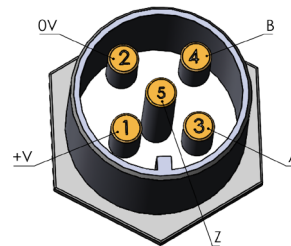
5 PIN M8 MALE ASSIGNMENT
DESCRIPTION -CON 35



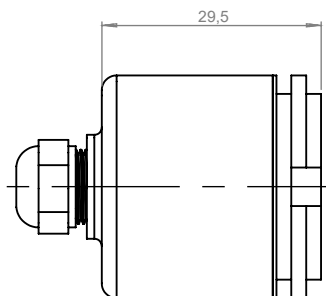
Connection 34 & 35



5 PIN M12 MALE ASSIGNMENT
DESCRIPTION -CON 55



Connection 55 (5 PIN M12 MALE ASSIGNMENT)



Connection 1XU, (Cable 0,25 mm)

INCREMENTAL ENCODER MODEL

MG35-SERIES

MECHANICAL SPECIFICATION

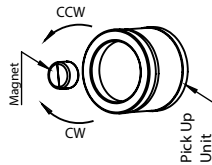
Housing material	Anodized aluminium Optional: stainless steel (AISI 316) or plastic
Encapsulation class	IP68 (IEC 60529)
Max. rotational speed	9000 rpm
Vibration	50g 20-2000 Hz (IEC 60068-2-6)
Chock	200g at 11 ms (IEC 60068-2-27)
Weight	Approx. 30 g (without cable)

ELECTRICAL SPECIFICATION, STANDARD

Power supply	7-35 Vdc or 5V (Optional)
Current consumption	Max 40 mA, without load
Output circuit	Line driver
Low level output volt	Max <0,5 V at 20 mA load and 20°C
High level output volt	Min >Vcc-2V at 20mA load and 20°C
Short circuit protected	Yes (thermal, overheat protected)
Polarity protected	Yes (applies to function +V and 0V)
Transient protected	Yes
Max load	70 mA
Resolution	1 to 1024 ppr
Max frequency	100 kHz
Operating temperature	-40° to +70°C

CCW/CW ROTATION

CCW rotation viewed from shaft end (all models)



CONNECTION

1XU	Axial cable 0.25mm ² , free cable length, X = No. meters
34	Axial 4pin M8 Male connector
35	Axial 5 pin M8 Male connector
54	Axial 4 pin M12 Male connector
55	Axial 5 pin M12 Male connector

FUNCTION	1XU	(NC= not connected)	OUTPUT SIGNAL
Model	MG35A		
1	Green		
2	Yellow		
0	NC		
0 Inverted	NC	1	
+V	Brown	2	
0V	White		
STATUS	NC		

Model	MG35B	OUTPUT SIGNAL	
1	Green		
2	Yellow		
0	Gray		
0 Inverted	NC	1	
+V	Brown	2	
0V	White	0	
STATUS	NC		(0-Pulse = connected)

Model	MG35C	OUTPUT SIGNAL	
1	Green		
2	Yellow		
0	NC		
0 Inverted	NC	1	
+V	Brown	2	
0V	White		
STATUS	Grey		(Status connected= indicating functionality)

Model	MG35D	OUTPUT SIGNAL	
1	Green		
2	Yellow		
0	Gray		
0 Inverted	NC	1	
+V	Brown	2	
0V	White	0	
STATUS	NC		
APPLIED CONNECTION TYPES 1XU, 35 & 55 (0-Pulse = 180° Mechanical)			

Model	MG35E	OUTPUT SIGNAL	
1	Green		
2	Yellow		
0	Gray		
0 Inverted	NC	1	
+V	Brown	2	
0V	White	0	
STATUS	Pink		
APPLIED CONNECTION TYPES 1XU (0-Pulse connected & status connected, indicating functionality)			

FUNCTION CON 34

		Pin	OUTPUT SIGNAL
1	Blue	Pin 3	Applied fuctions: A
2	Black	Pin 4	
+V	Brown	Pin 1	
0V	White	Pin 2	

FUNCTION CON 35 & 55

		Pin	OUTPUT SIGNAL
1	Blue	Pin 3	(View applicable funtions: A,B,C,D)
2	Black	Pin 4	
0*	Grey	Pin 5	
+V	Brown	Pin 1	
0V	White	Pin 2	* Depending on function status or zero signal

ACCESSORIES*

		ORDERING CODE
M8SR5,	Snap Straight 5m 4x0,25 PUR/PUR	101109
M8SV2,	Snap Angled 2m 4x0,25 PUR/PUR	101110
M8SV5,	Snap Angled 5m 4x0,25 PUR/PUR	101111
M8SR5-5	Screw, Straight 5m 5x0,25 PUR/PUR	101115
M8SV5-5	Screw, Angled 5m 5x0,25 PUR/PUR	101116

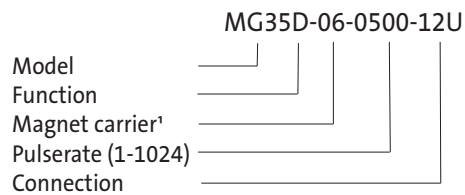
*Not included, ordered separatly

MATING CONNECTORS FEMALE*

DESCRIPTION	ORDERING CODE
M8SR5, Snap Straight 5m 4x0,25 PUR/PUR	101109
M8SV2, Snap Angled 2m 4x0,25 PUR/PUR	101110
M8SV5, Snap Angled 5m 4x0,25 PUR/PUR	101111

*Not included, ordered separatly

ORDERING CODE



¹ Specify -06 to include magnet carrier unit (part no. 106001)
Specify -0X to exclude magnet carrier unit (part no. 106001)



Skogsvägen 1, SE-645 34 Strängnäs, Sweden
Tel: +46 152 33 11 90 Fax: +46 152 33 11 91
E-mail: info@emetaencoders.com
www.emetaencoders.com