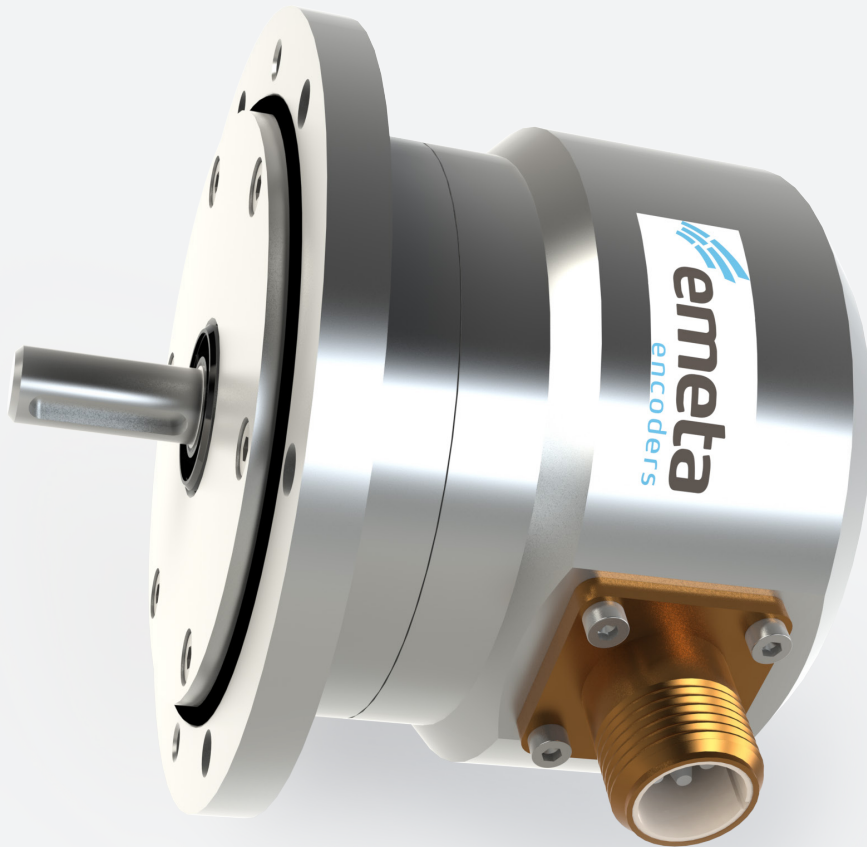


MA401 - SERIES



HEAVY DUTY INCREMENTAL ENCODER Ø 115 MM

Encoder with EURO-flange B10 in stainless steel AISI 316

- Offshore and salt water firm
- Ø 115 mm, stainless steel AISI 316
- Ø 11 mm shaft with key, stainless steel 1.4057
- Enlarged sturdy bearings
- Short circuit and reversed polarity proof
- Dust and splash proof IP67
- Standard
 - 5-30 Vdc power supply
 - 300 kHz
 - 2 square wave signals and marker pulse

The logo for emeta encoders, featuring a stylized blue wave icon to the left of the text 'emeta encoders'.

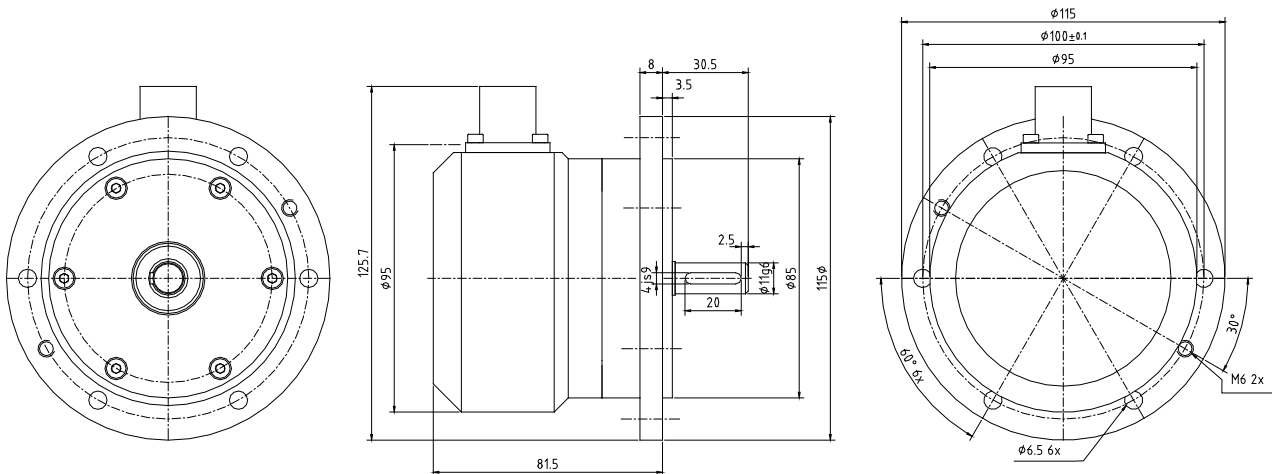
*Flexible and durable
encoder for demanding
applications*

 File E342441



Conforms to european EMC directive
89/336/EEC standards:
EN61000-6-4 emission in industrial environments
EN61000-6-2 immunity in industrial environments

INCREMENTAL ENCODER MODEL MA401

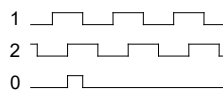


ELECTRICAL SPECIFICATION, STANDARD

| | |
|-------------------------|-----------------------------------|
| Supply voltage | 5–30 Vdc (SELV) |
| Current consumption | Max 40 mA without load |
| Output circuit | Linedriver RS422A compatible |
| Low level output volt. | Max <0,5 V at 20 mA load and 20°C |
| High level output volt. | Min >Vcc-1V at 20mA load and 20°C |
| Short circuit protected | Yes |
| Polarity protected | Yes |
| Transient protected | Yes |
| Max load | 70 mA |

OUTPUT SIGNALS, STANDARD

CCW rotation viewed
from shaft end



SIGNAL ACCURACY

| | |
|-----------------------|-----------------|
| Dividing error max | ±50 el° |
| Channel separation | 90 ±25 el° |
| Max frequency | 300 kHz |
| Operating temperature | -40° till +80°C |

MECHANICAL SPECIFICATION

| | |
|-----------------|----------------------------|
| Housing | Stainless steel AISI 316 |
| Shaft | Stainless steel 1.4057 |
| Sealing | IP67 dust and splash proof |
| Bearings | Permanently greased |
| Bearing load at | 1 000 rpm |
| Radial | <350 N |
| Axial | <250 N |
| Max rpm | 3 000 (8 000) |
| Vibration | 20g 20-2000 Hz |
| Shock | 200g at 11 ms |
| Weight | 3,6 kg (AISI316) |

CONNECTION

47. Radial 7-pin male connector
Marine Bronze, Gisma 24.02.2P07.2.00.0

FUNCTIONS

| | Pin |
|------------|-----|
| 1 | 5 |
| 2 | 6 |
| 0 | 7 |
| +V | 1 |
| Gnd | 3 |

MATING CONNECTOR

Gisma 24.06.2S07.2.00.0

ORDERING CODE

| | | | | |
|--------------------|-------|----|------|----|
| Model | MA401 | 11 | 1024 | 47 |
| Shaft 11 mm | _____ | | | |
| Pulse rate 1-2 500 | _____ | | | |
| Connection | _____ | | | |



Skogsvägen 1, SE-645 34 Strängnäs, Sweden
Tel: +46 152 33 11 90 Fax: +46 152 33 11 91
E-mail: info@emetaencoders.com
www.emetaencoders.com