

## MG550 - SERIES



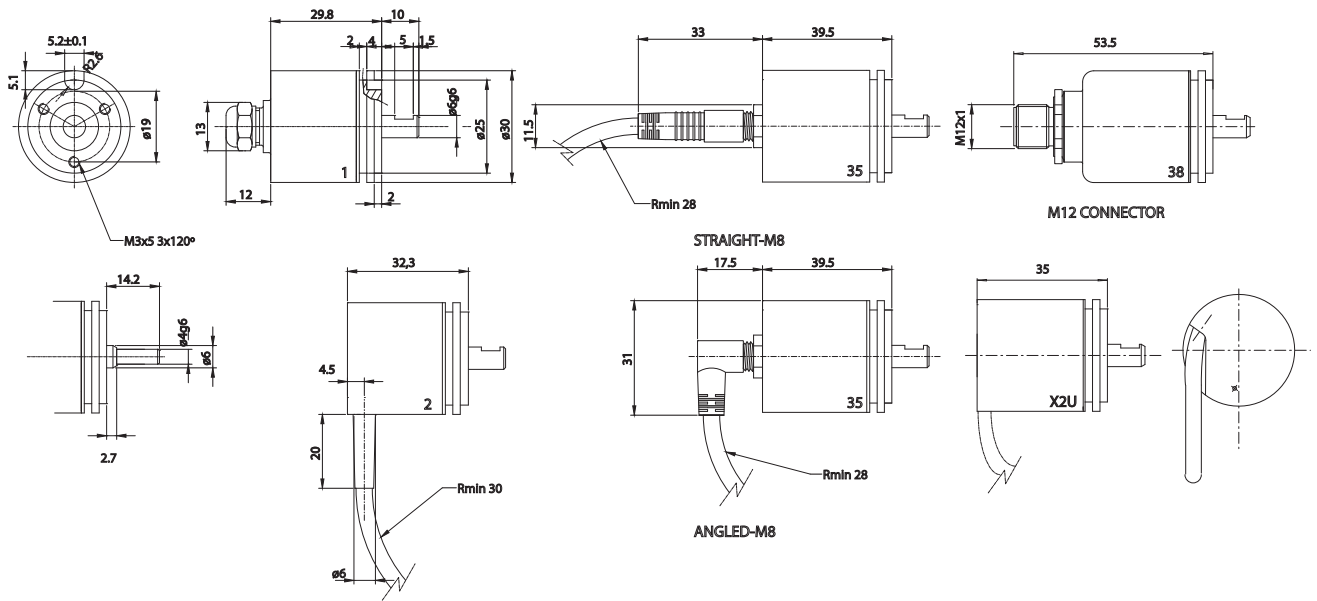
### MAGNETIC INCREMENTAL ENCODER Ø 30 MM

*Encoder with synchro flange and 3 mounting holes M3*

- Ø 30 mm
- 4 mm solid shaft without face or 6 mm with face
- Enlarged sturdy bearings
- Short circuit and reversed polarity proof
- Ingress protection up to IP67, depends on connection
- Standard: 7-35V Power Supply, 100kHz
  
- Option: Marker Pulse,  
Inverted Signals  
Customization upon request



*Flexible and durable  
encoder for demanding  
applications*

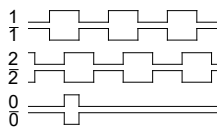
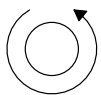


## ELECTRICAL SPECIFICATION

Supply voltage	Vcc 7-35 V
Current consumption	Max 40 mA without load
Output circuit	Linedriver RS422A compatible
Low level output volt.	Max <0,5 V at 20 mA load and 20°C
High level output volt.	Min >Vcc-1V at 20mA load and 20°C
Short circuit protected	Yes
Polarity protected	Yes
Transient protected	Yes
Max load	70 mA

## OUTPUT SIGNALS

CCW rotation seen from shaft end



## SIGNAL ACCURACY

Max frequency	100 kHz
Operating temperature	-40° to +80°C

## MECHANICAL SPECIFICATION

Housing	Aluminum, electrically conductive for increased interference protection
Sealing	IP67 dust and waterproof (IP66 at shaft outlet)
Bearings	Permanently greased
Bearing load at Radial	1 000 rpm 30 N Gives 50 000 hrs
Axial	30 N bearing life
Max rpm	3 000 (12 000)
Vibration	20g 20-2000 Hz
Shock	200g at 11 ms
Weight	Approx. 300 gr (without cable)

## CONNECTIONS

<b>1x</b>	Axial cable, TP/PUR	<b>35</b>	Axial 5-pin male M8
<b>2x</b>	Radial cable, TP/PUR	<b>38</b>	Axial 8-pin male M12
<b>1xU</b>	Axial cable, Unitronic	<b>38V</b>	Axial 8-pin male M12
<b>X2U</b>	Axial/Radial, 1m Unitronic		

## FUNCTION

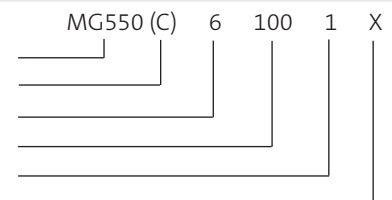
	<b>1x,2x</b>	<b>(C)1x,2x</b>	<b>1xU, X2U</b>	<b>35</b>	<b>38</b>	<b>38V</b>
<b>1</b>	Green	Green	Green	3	3	3
<b>1 inv</b>	White	-	-	-	1	-
<b>2</b>	Yellow	Yellow	Yellow	4	4	4
<b>2 inv</b>	Grey	-	-	-	5	-
<b>0</b>	Brown	Brown	Grey	5	2	2
<b>0 inv</b>	Pink	-	-	-	6	-
<b>+V</b>	Red	Red	Brown	1	8	8
<b>0V</b>	Blue	Blue	White	2	7	7
<b>Gnd</b>	Screen	Screen	-	Chassi	Chassi	Chassi
<b>Status</b>	-	Pink	-	Gray	-	6

## MATING CABLE CONNECTORS

M8SR5-5, female straight screw connector, 5m cable  
M8SV5-5, female angled screw connector, 5m cable

## ORDERING CODE

Model  
Status output  
Shaft 4 or 6 mm  
Pulserate 1-1024  
Connection  
X= meter cable



Skogsvägen 1, SE-645 34 Strängnäs, Sweden  
Tel: +46 152 33 11 90. Fax: +46 152 33 11 91  
E-mail: info@emetaencoders.com  
www.emetaencoders.com