

MP500 - SERIES



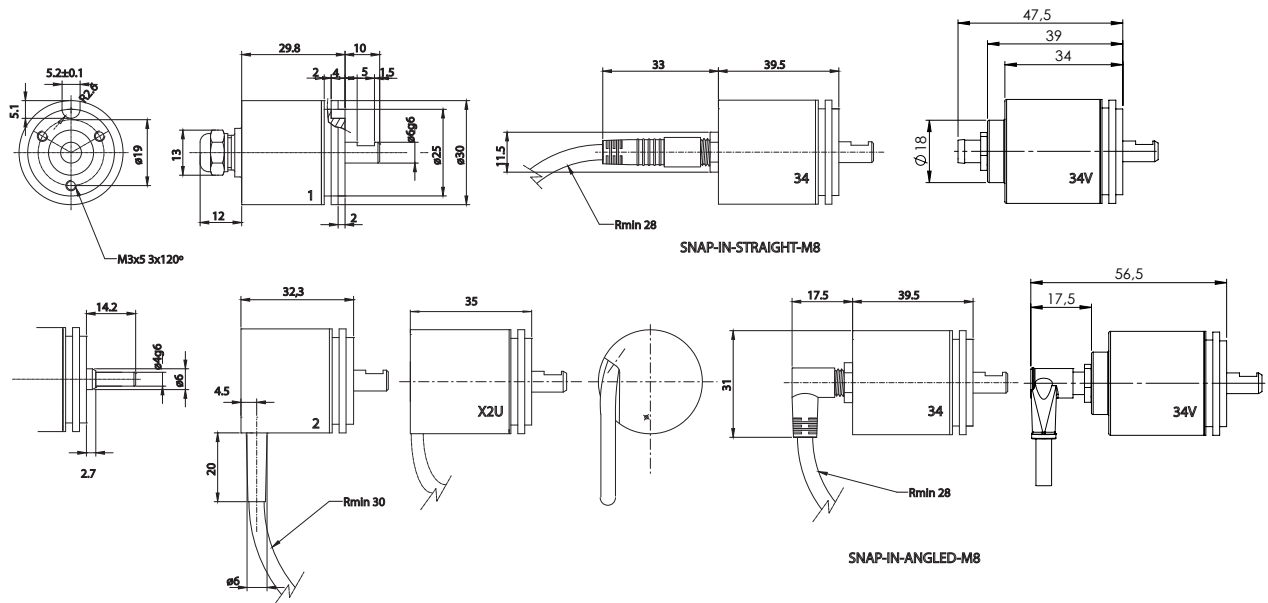
MAGNETIC POTENTIOMETER Ø 30 MM

Encoder with synchro flange and 3 mounting holes M3

- Ø 30 mm
- 4 mm solid shaft without face or 6 mm with face
- Enlarged sturdy bearings, mechanically locked
- Short circuit and reversed polarity proof
- Ingress protection to IP67
- Standard: 5 or 9-30Vdc Power Supply
Directional output
Configurable active angle output
- Options: Marker pulse, and/or inverted signals



*Flexible and durable
encoder for demanding
applications*

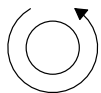


ELECTRICAL SPECIFICATION

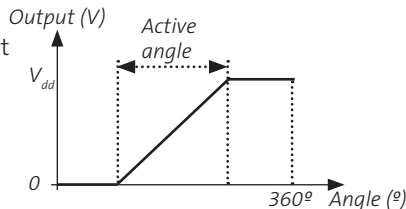
Power supply	$V_{dd} = 5 \text{ Vdc} \pm 10\%$ or 9-30Vdc
Current consumption	Max 20 mA
Output circuit	Analogue voltage 0.5-4.5V or 0-5V
Output resistive load	$R_{min} = 100 \text{ k}\Omega$ (0 to V_{dd} output) $R_{min} = 10 \text{ k}\Omega$ (10% to 90% V_{dd} output)
Output capacitance load	$C_{max} = 1 \text{ nF}$
Short circuit protected	Yes

OUTPUT SIGNAL & DIRECTION

Rotation seen from PICK-UP unit front



L = CCW, R = CW



CONNECTION TYPE

1	Axial cable, 1 m (UNITRONIC)
1XU	Axial cable, free cable length

FUNCTION

Output CCW	Green
Output CW	Yellow
+V	Brown
0V	White

ORDERING CODE

Model	MP500X - 06 - L360 - 1XU
Shaft	
Direction (R/L)	
Active angle	
Connection	
X = meter cable	

OUTPUT CIRCUIT & PERFORMANCE

Resolution	12 bit
Direction	Increasing voltage
Active angle	20° to 360° (set upon manufacturing)

POWER SUPPLY & OUTPUT VOLTAGE PERFORMANCE

MP500A	$V_{dd} = 5 \text{ Vdc}, 0 \dots 5 \text{ V over active angle}$
MP500B	$V_{dd} = 5 \text{ Vdc}, 0.5 \dots 4.5 \text{ V over active angle}$
MP500C	$V_{dd} = 9-30 \text{ Vdc}, 0 \dots 5 \text{ V over active angle}$
MP500D	$V_{dd} = 9-30 \text{ Vdc}, 0.5 \dots 4.5 \text{ V over active angle}$

MECHANICAL SPECIFICATION

Housing material	Aluminum, electrically conductive for increased interference protection
Encapsulation class	IP68 (IEC 60529)
Max. rotational speed	3000 rpm
Operating temperature	-40° to +70°C
Storage temperature	-40° to +70°C
Vibration	50g 20-2000 Hz (IEC 60068-2-6)
Chock	200g at 11 ms (IEC 60068-2-27)
Weight	Approx. 300 g (without cable)