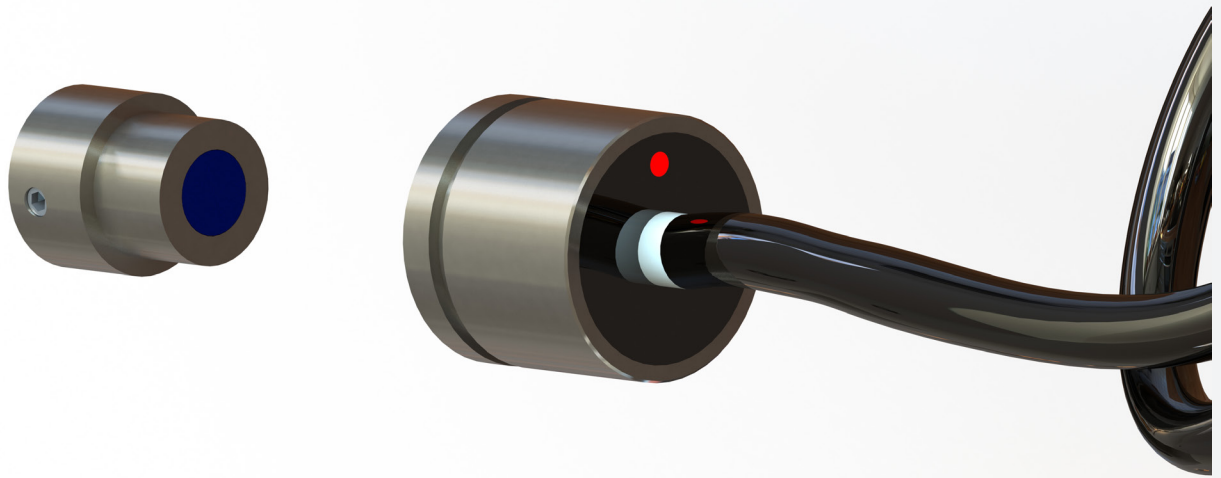


## MG23 - SERIES



### BEARINGLESS INCREMENTAL ENCODER Ø 22 MM

*Encoder with synchro flange*

- High ingress protection class IP68
- Non-contact measuring principle
- No wearing parts with long useable life
- Small dimensions & Flat design

Standard: 7-35Vdc Power Supply, 100kHz  
2 Square Wave Signals up to 1024 ppr

Options: Marker pulse with LED indication  
Status output with alarm function  
Extended warranty up to 48 months



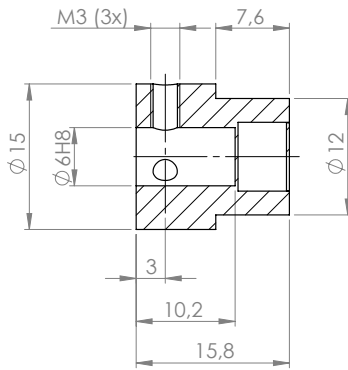
*Flexible and durable  
encoder for demanding  
applications*

### MOUNTING TOLERANCES

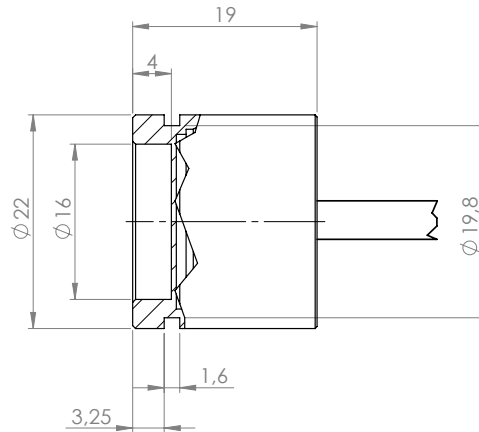
dx ±3 mm  
dy ±3 mm  
dz ±1 mm

### MOUNTING CLEARANCE

Z = 1 mm



MAGNET ACCESSORY PART NO. 106001



### ELECTRICAL SPECIFICATION, STANDARD

Power supply	7–35 Vdc
Current consumption	Max 40 mA, without load
Output circuit	Line driver
Low level output volt	Max <0,5 V at 20 mA load and 20°C
High level output volt	Min >Vcc-2V at 20mA load and 20°C
Short circuit protected	Yes (thermal)
Polarity protected	Yes
Transient protected	Yes
Max load	70 mA

### CONNECTION

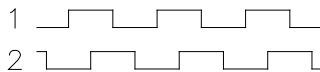
1	Axial cable 0.25mm <sup>2</sup> , 1 m length
1XU	Axial cable 0.25mm <sup>2</sup> , free cable length, X = No. meters
1XT	Axial cable 0.5mm <sup>2</sup> , free cable length, X = No. meters
59	Axial, cable 16cm with 4 pin M8 connector
74	Axial, cable 15cm with 4 pin M12 connector

### STATUS OUTPUT / DIAGNOSTIC OUTPUT

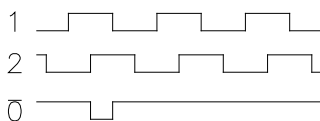
Status output Active high, (magnet is within tolerance)

### OUTPUT SIGNALS, MG23A & MG23C

CCW rotation seen from shaft end



### OUTPUT SIGNALS, MG23N (0-PULSE INVERTED)



### SIGNAL ACCURACY

Resolution	1 to 1024 ppr
Max frequency	100 kHz
Operating temperature	-40° to +70°C

### MECHANICAL SPECIFICATION

Housing material Aluminum, electrically conductive for increased interference protection

Encapsulation class	IP68 (IEC 60529)
Max. rotational speed	9000 rpm
Vibration	50g 20-2000 Hz (IEC 60068-2-6)
Chock	200g at 11 ms (IEC 60068-2-27)
Weight	Approx. 30 g (without cable)

### FUNCTION

Model	MG23A	MG23B	MG23C	MG23D	MG23N
1	Green	Green	Green	Green	Green
2	Yellow	Yellow	Yellow	Yellow	Yellow
0	NC	Gray	NC	Gray	NC
0 invert	NC	NC	NC	NC	Gray
+V	Brown	Brown	Brown	Brown	Brown
0V	White	White	White	White	White
STATUS	NC	NC	Gray	NC	NC

Model	MG23A-X-X-1XT	MG23A-X-X-59	MG23A-X-X-74
1	White	Blue	Blue
2	Black	Black	Black
+V	Red	Brown	Brown
0V	Blue	White	White

### ORDERING CODE

	MG23X	X	XXXX	XX
Model	_____			
Option	_____			
Pulse rate (1-1024)	_____			
Connection	_____			



Skogsvägen 1, SE-645 34 Strängnäs, Sweden  
Tel: +46 152 33 11 90. Fax: +46 152 33 11 91  
E-mail: info@emeta.se  
www.emetaencoders.com

NC = Not Connected  
Rev. 2 2019-10-23. Specifications in this data sheet is subject to change without prior notice.