

MA368 - SERIES



HEAVY DUTY INCREMENTAL ENCODER Ø 68 MM

Encoder with special flange and 3 mountingholes M4

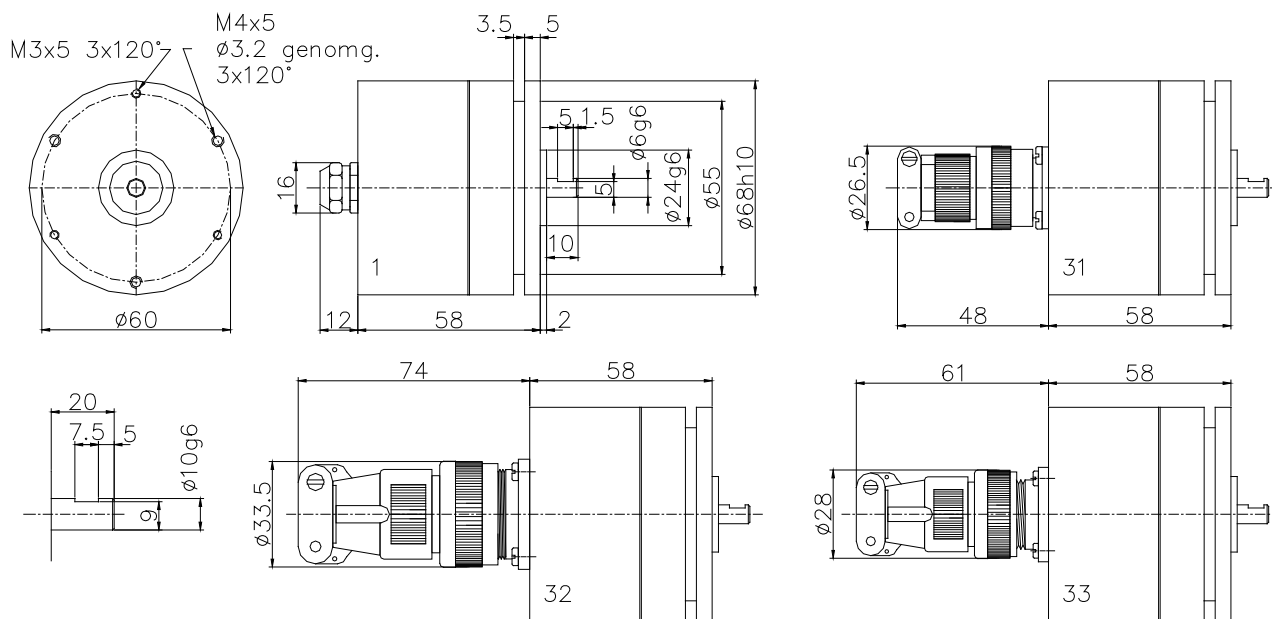
- Ø 68 mm
- 6 or 10 mm solid shaft with face
- Enlarged sturdy bearings
- Short circuit and reversed polarity proof
- Dust and splash proof up to IP67
- Standard: 5-30V power supply, 300kHz
2 square wave signals
Marker pulse and inverted signals
- Options: 5V power supply, 300 kHz
7-35V power supply, 100 kHz



*Flexible and durable
encoder for demanding
applications*



Conforms to european EMC directive 89/336/EEC standards:
EN61000-6-4 emission in industrial environments,
EN61000-6-2 immunity in industrial environ

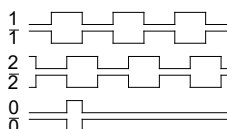


ELECTRICAL SPECIFICATION, STANDARD

| | |
|-------------------------|-----------------------------------|
| Supply voltage | Vcc 5–30 V |
| Current consumption | Max 40 mA without load |
| Output circuit | Linedriver RS422A compatible |
| Low level output volt. | Max <0,5 V at 20 mA load and 20°C |
| High level output volt. | Min >Vcc-1V at 20mA load and 20°C |
| Short circuit protected | Yes |
| Polarity protected | Yes |
| Transient protected | Yes |
| Max load | 70 mA |

OUTPUT SIGNALS, STANDARD

CCW rotation viewed from shaft end



SIGNAL ACCURACY

| | |
|-----------------------|---------------|
| Dividing error max | ±50 el° |
| Channel separation | 90 ± 25 el° |
| Max frequency | 300 kHz |
| Operating temperature | -40° to +80°C |

MECHANICAL SPECIFICATION

| | |
|-----------------|---|
| Housing | Aluminum, electrically conductive for increased interference protection |
| Sealing | IP67 dust and splash proof |
| Bearings | Permanently greased |
| Bearing load at | 1 000 rpm: |
| Radial | 180 N Gives 50 000 hrs |
| Axial | 130 N bearing life |
| Max rpm | 6 000 (12 000) |
| Vibration | 20g 20-2000 Hz |
| Chock | 200g at 11 ms |
| Weight | approx. 450 g (without cable) |

CONNECTIONS

1. Axial cable, 1 m
31. Axial 8-pin male connector KPT02E 12-8P
32. Axial 10-pin male connector MS3102E 18-1P
33. Axial 6-pin male connector MS3102E 14S-6P

FUNCTION

| | Cable 1-2 | Conn 31-32 | 33 |
|--------------|-----------|------------|--------|
| 1 | Green | A | B |
| 2 | Yellow | D | C |
| 0 | Brown | G | D |
| 1 inv | White | B | |
| 2 inv | Black | C | |
| 0 inv | Violet | H | |
| +V | Red | E | F |
| 0 V | Blue | F | A |
| Gnd | Screen | Chassi | Chassi |

MATING CONNECTORS

- For 31, KPT06E 12-82
 For 32, MS3106E 18-15
 For 33, MS3106E 14S-6S

ORDERING CODE

| | | | | | |
|--------------------|-------|---|------|---|---|
| Model | MA368 | 6 | 1000 | 1 | X |
| Shaft 6 or 10 mm | | | | | |
| Pulse rate 1-5 000 | | | | | |
| Connection | | | | | |
| X= meter cable | | | | | |

