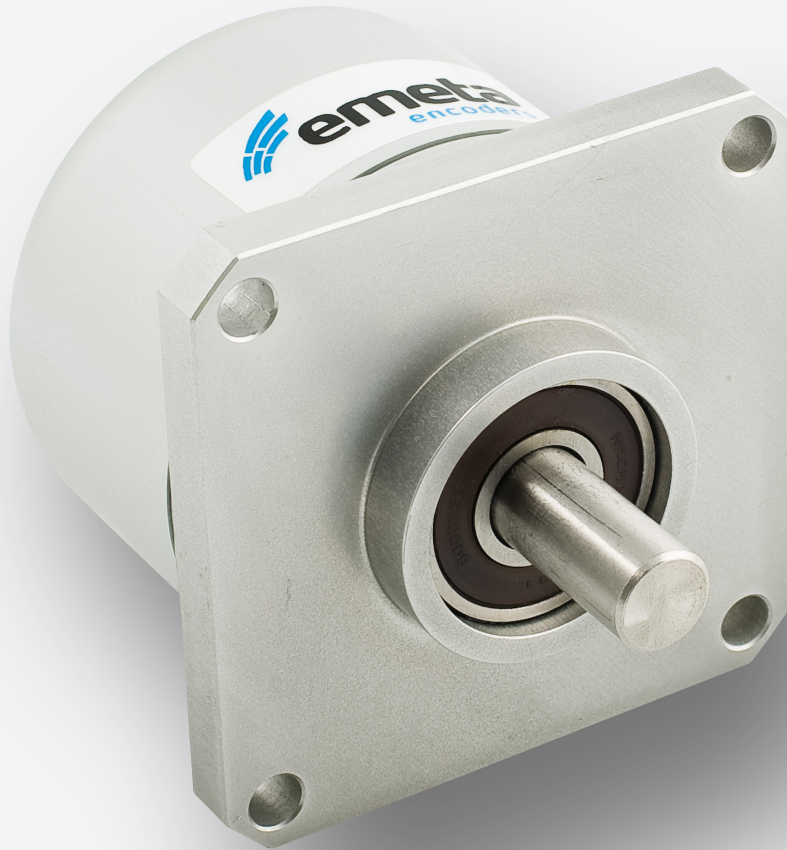


MA131 - SERIES



HEAVY DUTY INCREMENTAL ENCODER Ø 58 MM

Encoder with square flange 63,5 x 63,5mm

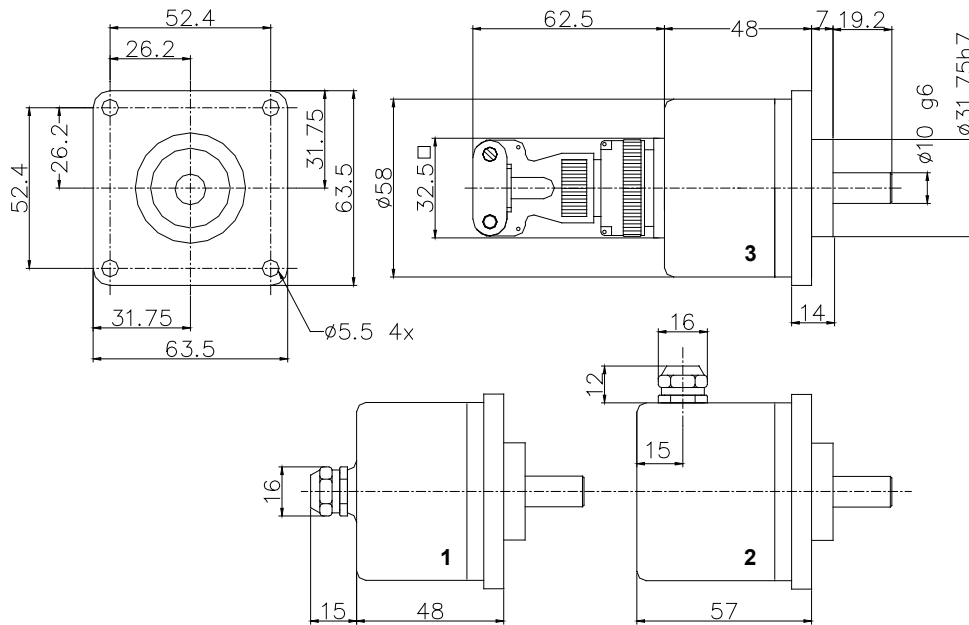
- Ø 58 mm
- 10 mm shaft without face
- Enlarged sturdy bearings
- Short circuit and reversed polarity proof
- Dust and splash proof IP65
- Standard
 - 5-30V power supply, 300kHz
 - 2 square wave signals
 - Marker pulse and inverted signals
- Options
 - 5V power supply, 300kHz
 - 7-35V power supply, 100kHz
 - Customization upon request



*Flexible and durable
encoder for demanding
applications*



Conforms to european EMC directive 89/336/EEC standards:
EN61000-6-4 emission in industrial environments,
EN61000-6-2 immunity in industrial environ

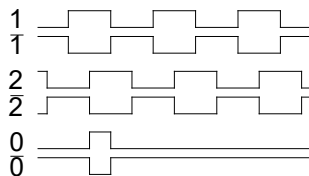
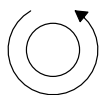


ELECTRICAL SPECIFICATION, STANDARD

Supply voltage	Vcc 5–30 V
Current consumption	Max 40 mA without load
Output circuit	Linedriver RS422A compatible
Low level output volt.	Max <0,5 V at 20 mA load and 20°C
High level output volt.	Min >Vcc-1V at 20mA load and 20°C
Short circuit protected	Yes
Polarity protected	Yes
Transient protected	Yes
Max load	70 mA

OUTPUT SIGNALS, STANDARD

CCW rotation viewed from shaft end



SIGNAL ACCURACY

Dividing error max	±50 el°
Channel separation	90 ±25 el°
Max frequency	300 kHz
Operating temperature	-40° to +80°C

MECHANICAL SPECIFICATION

Housing	Aluminum, electrically conductive for increased interference protection
Sealing	IP65 dust and splash proof
Bearings	Permanently greased
Bearing load at	1 000 rpm:
Radial	180 N Gives 50 000 hrs
Axial	130 N bearing life
Max rpm	6 000 (12 000)
Vibration	20g 20-2000 Hz
Chock	200g @ 11 ms
Weight	approx: 300 g. (without cable)

CONNECTIONS

1. Axial cable, 1 m 8x0,22 with screen
2. Radial cable, 1 m 8x0,22 with screen
3. Axial 7-pin male connector MS3102E 16S-1P
4. Radial 7-pin male connector MS3102E 16S-1P

FUNCTION

	Cable 1-2	Conn 3	Conn 4
1	Green	A	A
2	Yellow	B	B
0	Brown	-	-
1 inv	White	C	C
2 inv	Black	E	E
0 inv	Violet	-	-
+V	Red	D	D
0 V	Blue	F	F
Gnd	Screen	G	G

ORDERING CODE

Model	MA131	10	1000	1	X
Shaft 10 mm					
Pulse rate 1-5 000					
Connection					
X= meter cable					

