

## MA100 - SERIES



### HEAVY DUTY INCREMENTAL ENCODER Ø 58 MM

*Encoder with synchroflange and 3 mountingholes M4*

- Ø 58 mm
- 6 or 10 mm solid shaft with face
- Enlarged sturdy bearings
- Short circuit and reversed polarity proof
- Dust and splash proof IP65
- Standard: 5-30V power supply, 300KHz  
2 square wave signals  
Marker pulse and inverted signals
- Options: 5V power supply, 300 KHz  
7-35V power supply, 100 KHz  
Customization upon request

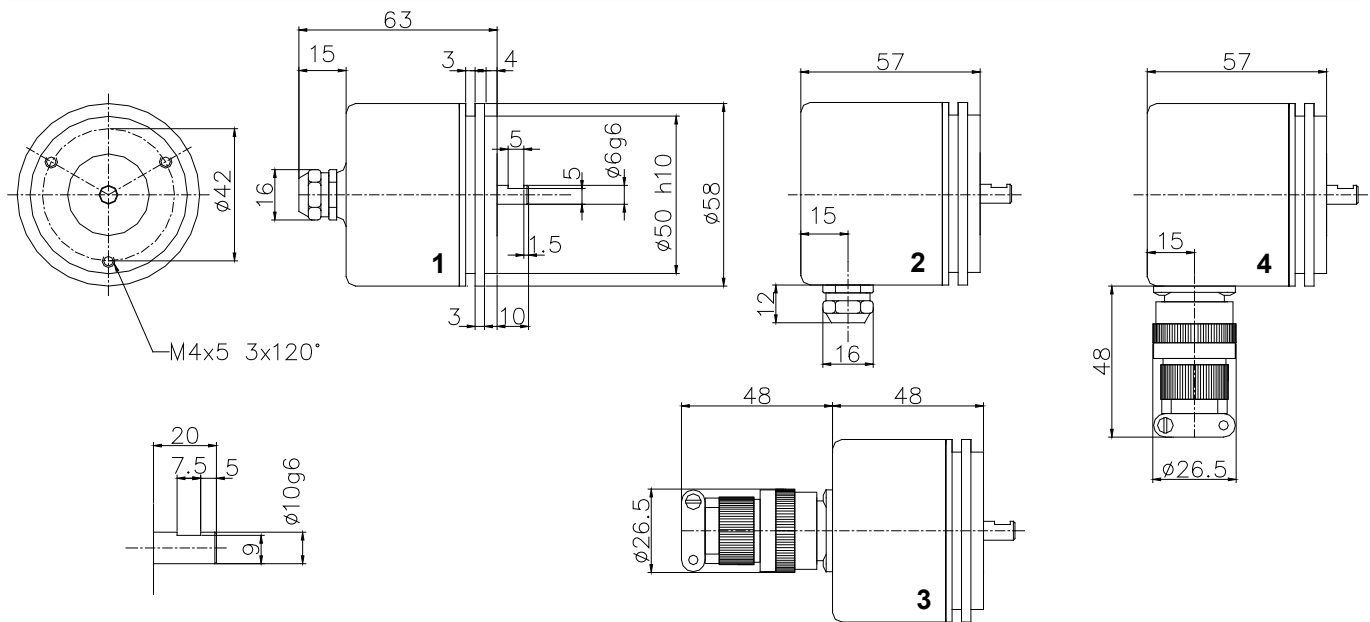


*Flexible and durable  
encoder for demanding  
applications*



Conforms to european EMC directive 89/336/EEC  
standards:  
EN61000-6-4 emission in industrial environments,  
EN61000-6-2 immunity in industrial environ-

# INCREMENTAL ENCODER MODEL MA100

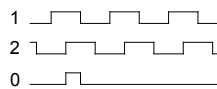
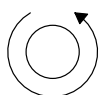


## ELECTRICAL SPECIFICATION, STANDARD

Supply voltage	Vcc 5–30 V
Current consumption	Max 40 mA without load
Output circuit	Linedriver RS422A compatible
Low level output volt.	Max <0,5 V at 20 mA load and 20°C
High level output volt.	Min >Vcc-1V at 20mA load and 20°C
Short circuit protected	Yes
Polarity protected	Yes
Transient protected	Yes
Max load	70 mA

## OUTPUT SIGNALS, STANDARD

CCW rotation viewed from shaft end



## SIGNAL ACCURACY

Dividing error max	±50 el°
Channel separation	90 ±25 el°
Max frequency	300 KHz
Operating temperature	-40° till +80°C

## MECHANICAL SPECIFICATION

Housing	Aluminum, electrically conductive for increased interference protection
Sealing	IP65 dust and splash proof
Bearings	Permanently greased
Bearing load at 1 000 rpm:	
Radial	180 N Gives 50 000 hrs bearing life
Axial	130 N
Max rpm	6 000 (12 000)
Vibration	20g 20-2000 Hz
Chock	200g vid 11 ms
Weight	ca: 275 gr (without cable)

## CONNECTIONS

1. Axial cable, 1 m 8x0,22 with screen
2. Radial cable, 1 m 8x0,22 with screen
3. Axial 8-pin male connector KPT 02E- 8P
4. Radial 8-pin male connector KPT 02E- 8P

## FUNCTION

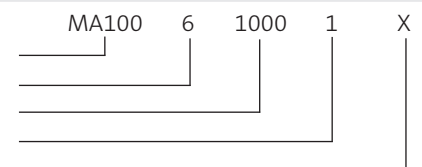
	Cable 1-2	Connector 3-4
<b>1</b>	Green	A
<b>2</b>	Yellow	D
<b>0</b>	Brown	G
<b>1 inv</b>	White	B
<b>2 inv</b>	Black	C
<b>0 inv</b>	Violet	H
<b>+V</b>	Red	E
<b>0 V</b>	Blue	F
<b>Gnd</b>	Screen	Chassi

## MATING CONNECTORS

For 3, KPT 06E 12-8S Connector 8-pol female  
For 4, KPT 06E 12-8S Connector 8-pol female

## ORDERING CODE

Model  
Shaft 6 or 10 mm  
Pulse rate 1-5 000  
Connection  
X= meter cable





Skogsvägen 1, SE-645 34 Strängnäs, Sweden  
Tel: +46 152 33 11 90. Fax: +46 152 33 11 91  
E-mail: info@emeta.se  
www.emetaencoders.com