



bioethanol

BURNERS & INSERTS

Crea7ionEVOPlus

Fire line

Code: PJ00153

AUTOMATIC FIRE LINE

Materials

Stainless steel

Finishings

Brushed stainless steel

Black/white lacquered stainless steel

Black titanium-coated brushed stainless steel

Polished stainless steel*

Black titanium-coated polished stainless steel

COMBUSTION ZONE

Materials

Black ceramic-coated brushed stainless steel

Dimensions

Customizable in various sizes from 400mm to 2400mm

Fuel

Bioethanol

Ignition Mode

Remote control and display

Tank

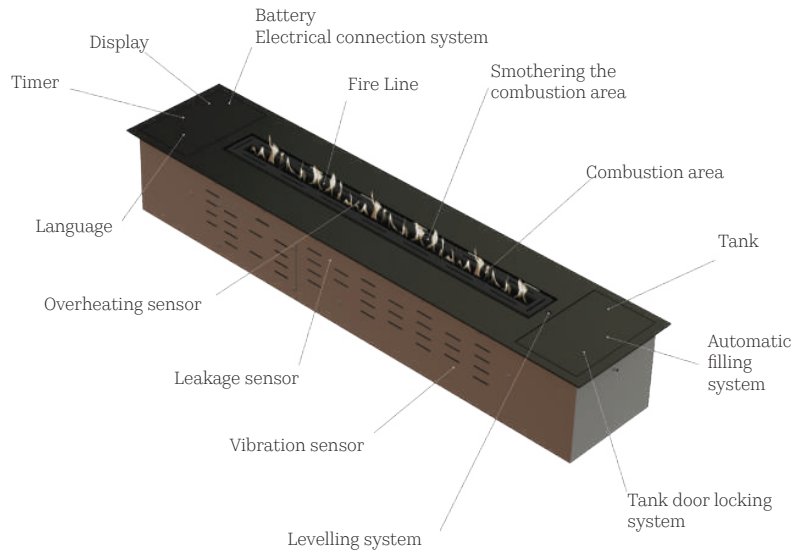
3 L, 5 L, 8 L and 10 L

Filling system

Local filling system included

Automatic displaced filling system **(+€688,70)**

Home automation included (under permission)



Model	Dimensions (W x D x H) (mm inches)	Weight (kg lbs)	Tank (L)	Autonomy (hours)		Power (kW)	Recommended min.area (sqm sft)	Standard unit price (brushed stainless steel)	Black/white lacquered unit price	Black titanium coated brushed stainless steel	Black titanium coated polished stainless steel*
				min.	max.						
400	Model	766 x 210 x 160 30.2 x 8.3 x 6.3	21	3	8	6	2	15			
	Built in hole	746 x 190 x >170 29.4 x 7.5 x >6.7	46.3								
600	Model	955 x 210 x 160 37.6 x 8.3 x 6.3	22	3	5	4	3,4	21			
	Built in hole	935x 190 x >170 45.1 x 7.5 x >6.7	51.8								
800	Model	1166 x 210 x 160 45.9 x 8.3 x 6.3	29	5	6	5	4.5	29			
	Built in hole	1146 x 190 x >170 45.1 x 7.5 x >6.7	63.9								
1200	Model	1566 x 210 x 160 61.7 x 8.3 x 6.3	42	5	4	3	6,75	44			
	Built in hole	1546 x 190 x >170 60.9 x 7.5 x >6.7	92.9								
1600	Model	1966 x 210 x 160 77.4 x 8.3 x 6.3	51	8	5,5	4	9	59			
	Built in hole	1946 x 190 x >170 76.6 x 7.5 x >6.7	121.3								
2000	Model	2366 x 210 x 160 93.2 x 8.3 x 6.3	64	10	6	15	4	96			
	Built in hole	2346 x 190 x >170 92.4 x 7.5 x >6.7	141.1								
2400	Model	2766 x 210 x 160 108.9 x 8.3 x 6.3	73.5	10	3,5	17	5	110			
	Built in hole	2746 x 190 x >170 108.1 x 7.5 x >6.7	162								

*The finishing polished stainless steel has the same price as the black titanium coated polished stainless steel

Crea7ionEVOPlus 600 Lite

Code: PJ00153

AUTOMATIC FIRE LINE

Materials

Stainless steel

Finishings

Brushed stainless steel

Black lacquered stainless steel

COMBUSTION ZONE

Materials

Brushed stainless steel

Dimensions

600 mm

Fuel

Bioethanol

Ignition Mode

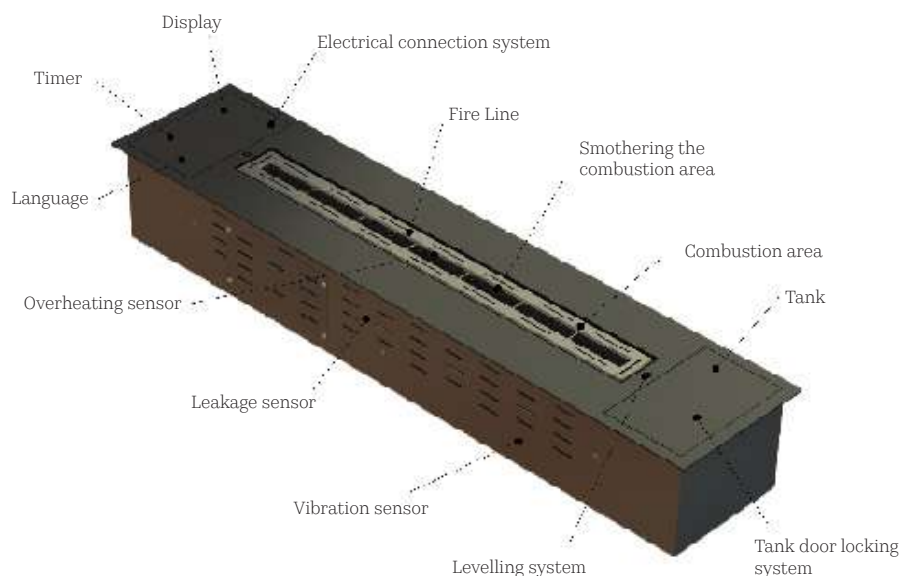
Remote control and display

Tank

3,5 L

Filling system

Manual filling



Cre7ionEVOPlus 600 lite differences:

- Batteries connection is optional (+€344,93)
- Manual filling system included
- Home automation not available
- Combustion zone in brushed stainless steel

Model	Dimensions (W x D x H) (mm inches)	Weight (kg lbs)	Tank (L)	Autonomy (hours)		Power (kW)	Recommended min.area (sqm sft)	Standard unit price (brushed stainless steel)	Black lacquered unit price
				min.	max.				
600 _{lite}	Model	955 x 210 x 160 37.6 x 8.3 x 6.3	22	3,5	6	5	3,4	21	
	Built in hole	935x 190 x >170 45.1x 7.5 x >6.7	51.8						

Crea7ionEVOPlus

Crea7ionEVOPlus

Frontal glass option



Model	Dimensions (W x D x H) (mm inches)	Standard unit price
400	395 x 6 x 75 15.6 x 0.25 x 3	
600 600 <i>lite</i>	595 x 6 x 75 23.4 x 0.25 x 3	
800	795 x 6 x 75 31.3 x 0.25 x 3	
1200	1195 x 6 x 75 47 x 0.25 x 3	
1600	1595 x 6 x 75 62.8 x 0.25 x 3	
2000	1995 x 6 x 75 <small>3x glasses 662 x 6 x 75</small> 26,06"x0,23"x2,95" <small>3x glasses 662 x 6 x 75</small>	
2400	2395 x 6 x 75 <small>3x glasses 795 x 6 x 75</small> 31,3"x0,23"x2,95" <small>3x glasses 795 x 6 x 75</small>	

CreationEVOPlus L Burner

Art. EJO0181

AUTOMATIC FIRE LINE

Materials

Stainless steel

Finishings

Brushed stainless steel

Black/white lacquered stainless steel:

(+€172,46)

Polished stainless steel: (+€862,31)

Black titanium-coated brushed stainless steel: (+€804,83)

Black titanium-coated polished stainless steel: (+€862,31)

COMBUSTION ZONE

Materials

Black ceramic-coated brushed stainless steel

Dimensions

Customizable in three different sizes

Fuel

Bioethanol

Ignition Mode

Remote control and display

Tank

8 L and 10 L

Filling system

Local filling system included

Automatic displaced filling system

(+€688,70)

Model I

800+800 Fire line

Dimensions

W1079mm x W1079mm x

D210mm x H160mm

W42.5"xW42.5"xD7.5"xH6.7"

Built in hole:

W1059mm x W1059mm x

D190mm x H170mm

W41.7"xW41.7"xD7.5"xH6.7"

Weight

58 kg | 127.9 lbs

Ignition Mode

Remote control and display

Tank

10 L

Power

9 kW

Autonomy

4-7 hours

Recommended minimum area

59 m² | 635 sft

Model II

1200+400 Fire line

Dimensions

W1479mm x W679mm x

D210mm x H160mm

W42.5" x W42.5" x D7.5" x H6.7"

Built in hole:

W1459mm x W659mm x

D190mm x H170mm

W41.7" x W41.7" x D7.5" x H6.7"

Weight

63 kg | 127.9 lbs

Ignition Mode

Remote control and display

Tank

8 L

Power

9 kW

Autonomy

4-6.5 hours

Recommended minimum area

110 m² | 96.9 sft

Model III

1200+1200 Fire line

Dimensions

W1479mm x W1479mm x

D210mm x H160mm

W58.2" x W58.2" x D8.3" x H6.3"

Built in hole:

W1459mm x W1459mm x

D190mm x H170mm

W57.4" x W57.4" x D7.5" x D6.7"

Weight

73 kg | 160.9 lbs

Ignition Mode

Remote control and display

Tank

10 L

Power

17 kW

Autonomy

3.5-6.5 hours

Recommended minimum area

110 m² | 1184 sft

CreationEVOPlus Modular

Code: PJO0182



AUTOMATIC FIRE LINE

Materials

Stainless steel

Finishings

Brushed stainless steel

Black/white lacquered stainless steel

Polished stainless steel*

Black titanium-coated brushed stainless steel

Black titanium-coated polished stainless steel

Protection

Frontal glass

Model 700: W650 mm x D6 mm x H75 mm
W25.6" x D0.25" x H3"

Model 900: W850 mm x D6 mm x H75 mm
W33.5" x D0.25" x H3"

Model 1300: W1250 mm x D6 mm x H75 mm
W49.2" x D0.25" x H3"

COMBUSTION ZONE

Materials

Black ceramic-coated brushed stainless steel

Dimensions

Customizable in three sizes: 600, 800 and 1200mm

Fuel

Bioethanol

Ignition Mode

Remote control and display

Tank

5 L, 8 L and 10 L

Filling system

Local filling system included

Automatic displaced filling system optional (+€688,70)

Model	Dimensions (W x D x H) (mm inches)	Weight (kg lbs)	Tank (L)	Autonomy (hours)		Power (kW)	Recommended min.area (sqm sft)	Standard unit price (brushed stainless steel)	Black/white lacquered unit price	Black titanium coated brushed stainless steel	Black titanium coated polished stainless steel*
				min.	max.						
700	700 x 250 x 160	21.5	5	8	6	3.5	21				
	276 x 9.9 x 9.6	47.4									
900	900 x 250 x 160	37	8	7	5	4.5	29				
	35.4 x 9.9 x 9.6	81.6									
1300	1300 x 250 x 160	52	10	6	4	6.75	44				
	51.2 x 9.9 x 9.6	114.6									

*The finishing polished stainless steel has the same price as the black titanium coated polished stainless steel

Crea7ionEVOPlus Fire Round

Code: FJ00184



AUTOMATIC FIRE LINE

Materials

Stainless steel

Finishings

Brushed stainless steel

Black/white lacquered stainless steel

Polished stainless steel*

Black titanium-coated brushed stainless steel

Black titanium-coated polished stainless steel

Dimensions

Ø500mm x H200mm

Ø5.1" x H7.9"

Weight

40 kg | 88.2 lbs

Recommended minimum area

14 m² | 150.7 sft

Protection

High temperature resistant glass included

Home automation included (under permission)

COMBUSTION ZONE

Materials

Black ceramic -coated brushed stainless steel

Fuel

Bioethanol

Ignition Mode

Remote control and display

Tank

10 L

Power

2-4 kW

Autonomy

15-25 hours

Filling system

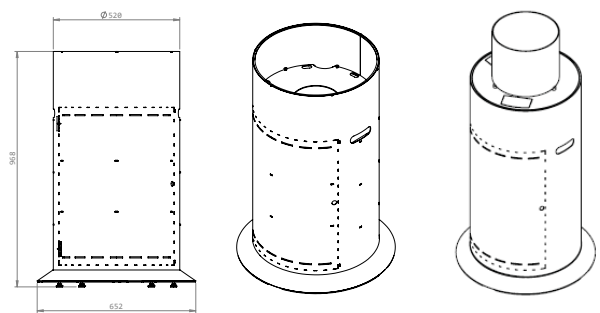
Local filling system included

Automatic displaced filling system optional (+€688,70)

OPTION

Fire round Support: Black/white lacquered steel (+€2.523,70)

Fire round Support: Rusted corten steel (+€2.765,15)



Fire round support

*The finishing polished stainless steel has the same price as the black titanium coated polished stainless steel

Concept

Mechanical Burners

Burner I

Code: PJ00002



Materials

Stainless steel

Fuel

Bioethanol

Ignition Mode

Manual

Dimensions

Ø 292 x H93 mm

Ø 11.5 x H3.7"

Weight

6 kg | 13.2 lbs

Tank

2 L

Power

3.4 kW

Autonomy

4-6 hours

Minimum recommended area

18 m² | 193.8 sft

Accessories

Round glass support

(+€183,96)

Higher Glass - High Temperature

Resistant Glass (+€603,62)

Lower Glass - High Temperature

Resistant Glass (+€304,68)

Protection cover (+€517,39)

Decorative ceramic firewood

(+€172,46)

Burner VI

Code: PJ00131



Materials

Stainless steel

Fuel

Bioethanol

Ignition Mode

Manual

Dimensions

Ø292 x H109.3 mm

Ø11.5 x H4.3"

Weight

5.5 kg | 12.1 lbs

Tank

1,2 L

Power

2 kW

Autonomy

4 hours

Minimum recommended area

13 m² | 139.9 sft

Accessories

Round glass support

(+€183,96)

Higher Glass - High Temperature

Resistant Glass

(+€603,62)

Lower Glass - High Temperature

Resistant Glass

(+€304,68)

Protection cover (+€517,39)

Decorative ceramic firewood

(+€172,46)

Standard unit price

€893,36

Standard unit price

€893,36

Burner II

Code: PJ00000



Materials

Stainless steel

Fuel

Bioethanol

Ignition Mode

Manual

Dimensions

W367 x D227 x

H86 mm

W14.4x D8.9 x H3.4"

Weight

6 kg | 13.2 lbs

Tank

2 L

Power

3.4 kW

Autonomy

8 hours

Recommended minimum area

22 m² | 150.7 sft

Accessories

Support II +

glass

(+€632,36)

Protection cover

(+€517,39)

Burner III

Code: PJ00001



Materials

Stainless steel

Fuel

Bioethanol

Ignition Mode

Manual

Dimensions

W487 x D227 x

H86 mm

W19.2 x D8.9 x

H3.4"

Weight

11 kg | 24.3 lbs

Tank

3 L

Power

4.5 kW

Autonomy

7 hours

Recommended minimum area

30 m² | 322.9

sqft

Accessories

Support III +

glass

(+€678,35)

Protection cover

(+€551,88)

Burner V

Code: PJ00100



Materials

Stainless steel

Fuel

Bioethanol

Ignition Mode

Manual

Dimensions

W950 x D220 x

H101 mm

W37.4 x D8.7 x H4"

Weight

25 kg | 55.1 lbs

Tank

10 L

Power

8.5 kW

Autonomy

10 hours

Recommended minimum area

55 m² | 592 sft

Accessories

Support V + glass

(+€954,29)

Protection cover

(+€632,36)