

metalfire

| architectural fireplaces |

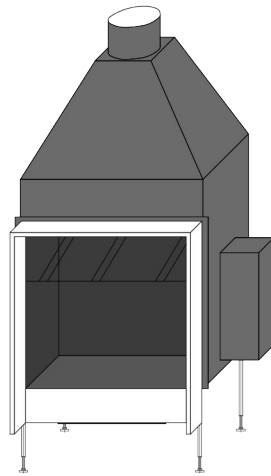
FINISHING FRAMES URBAN

Dimensions (mm)

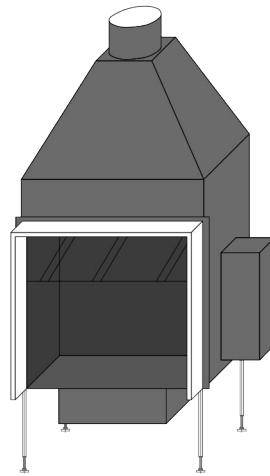
- finishing frame
(thickness x depth) = 10 x 90mm

Specifications

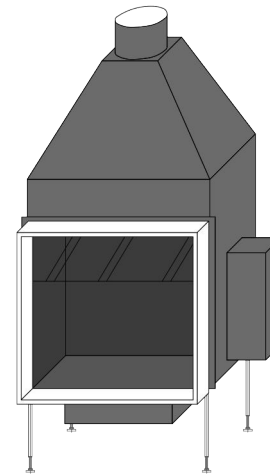
- finishing frames made of black painted drawn steel
- frames are made-to-measure:
contact the Metalfire dealer for dimensions
and pricing
- also see 'COMBUSTION OPENING / FINISHING
FRAME ON URBAN ' for detailed information



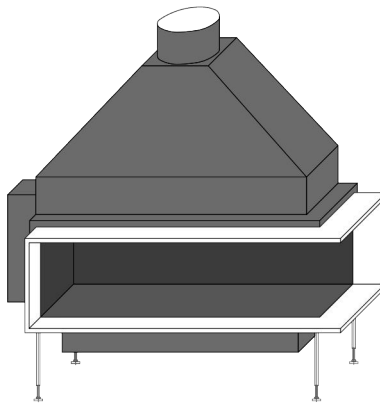
3 SIDED FINISHING FRAME + PLINTH



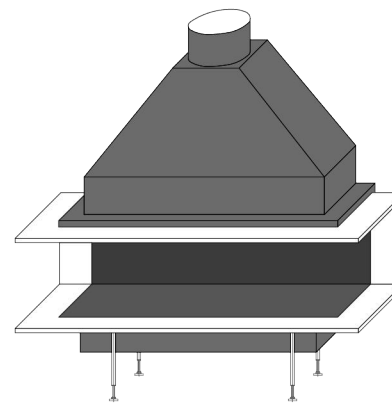
3 SIDED FINISHING FRAME



4 SIDED FINISHING FRAME




6 SIDED FINISHING FRAME



8 SIDED FINISHING FRAME

scale 1:20

www.metalfire.eu

EN 509 

General dimensional tolerances up to 6mm
Metalfire preserves the right to modify specifications without previous notice