

PJ-2.5 RGBW

Compact IP66 rated Quad color wash light with Active Diffuser

SPECIFICATION SHEET



The PJ-2.5 utilizing 15 powerful 25W RGBW LEDs in one small body, makes the PJ-2.5 the perfect wash light for smaller environments/projects. It produces an impressive output of 10.946 lumens with a long throw. With an IP66 rating, it is suitable for both indoor and outdoor applications. An active dehumidifier is built in to remove any humidity that may enter the interior of the PJ-2.5, ensuring optimal performance.

As a wash light, the PJ-2.5 RGBW offers an unlimited color mixing palette. One of its standout features is the internal active diffuser, which eliminates the need for lens selection and can be adjusted remotely via DMX control to transition from a narrow to a wide flood beam. The fixture also includes wireless DMX and RDM capabilities. To top it all off, the PJ-2.5 is equipped with our specially developed DVT LIGHT technology, ensuring 100% flicker-free operation. This eliminates any flickering and allows you to avoid the hassle of configuring your camera settings.

KEY FEATURES

- 100% Flicker free - no need for frequency adjustment
- No coil whinning
- Low-noise cooling
- 15 x 25W RGBW LEDs
- 10° - 45° electronically adjustable beam angle
- IP66 rated for outdoor use
- RDM enabled
- Wireless DMX capability
- Automatic temperature control
- CRI >70
- Durable aluminum housing
- C5-M corrosion resistance

TECHNICAL SPECIFICATIONS

CONTROL AND PROGRAMMING

Intensity:	0 - 100%
Control Protocol:	DMX 512, Wireless DMX (CRMX), RDM enabled
DMX Modes:	Multiple (refer to latest DMX charts)
Wireless DMX:	Built-in CRMX system
Control Interface:	OLED display with control panel (UP, DOWN, ESC, ENTER buttons)
Control Interface POI:	No, only through RDM
DMX connection:	5-pin XLR in and out
DMX connection POI:	5mtr (197 inch.) cable with bare ends
Number of segments:	3 individually RGB(W) controllable segments
Stand-alone control:	Yes
Control resolution:	16-bit RGBW
Dimmer resolution:	16-bit
DMX channels:	7/12/13/32
DMX compliance:	USITT DMX 512A
RDM compliance:	ANSI/ESTA E1.20
Firmware update:	Serial upload via DMX

PHOTOMETRIC

LED Type:	15 x 25W RGBW LEDs
Light Intensity @ 1mtr Narrow/Wide:	324.283 / 7.104 Lux
Luminous Flux RGB wide - Narrow/Wide:	10.946 / 8.980 lm
Red - Narrow/Wide:	2.299 / 1.861 lm
Green - Narrow/Wide:	3.775 / 2.952 lm
Blue - Narrow/Wide:	971 / 704 lm
Efficiency:	35 lm/W
Color Rendering Index (CRI):	>70
CCT:	2000 - 10.000K
Beam Angle:	Electronically adjustable 10° - 45° (120° Field)
Color:	Full RGBW spectrum
LED lifetime:	50.000 hours (Minimum)

THERMAL

Operating Temperature:	-40° C to +50° C
Maximum Ambient Temperature (Ta max.):	50° C
Cooling System:	Active (cooling fans)
Minimum distance to normal flammable:	0.5 mtr (19.68 inch.)
Minimum distance to illuminated surface:	0.5 mtr (19.68 inch.)
Automatic temperature control (Safety feature):	Yes

ELECTRICAL SPECIFICATIONS

Power:	300W maximum power consumption
Input Voltage:	100 - 240 VAC, 47 - 63 Hz
Power Factor:	>0.99 @100V - >0.95 @230V
Inrush Current:	15A/100V - 30A/230V
Total Harmonic Distortion (THD):	(To be determined - Contact manufacturer for details)
Power connection:	True1 type in and out
Power connection POI:	5mtr (197 inch.) cable with bare ends

CONSTRUCTION

Protection rating:	IP66
Impact resistance:	IK07
Corrosion Resistance:	C5-M
Housing Material:	Plastic, aluminum, rubber, steel
Housing Color:	Black (RAL9004) / White (RAL9010)
Lens material:	Tempered glass

PHYSICAL DIMENSIONS

Depth:	17 cm (6.71 inch.)
Width:	42.3 cm (16.65 inch.)
Height:	28.6cm (11.26 inch.)
Weight:	10.6 kg (23.37 Lbs.)
Tilt Range:	0° - + / - 120°

INSTALLATION

Orientation:	Any
Mounting Std.:	2 x quarter-turn locking points for omega brackets
Mounting POI:	3 x 12mm holes for fixed installation
Tilt fixation POI:	2 x Stainless steel M8 bolt + washer

APPROVALS

ETL:	UL Std. 1573 (Pending)
CE:	Yes
RoHS:	Yes

ENVIRONMENTAL

RoHS:	Compliant
REACH:	Compliant
WEEE:	Compliant

INCLUDED ITEMS

Omega brackets with 1/4 turn fasteners:	2 pcs (Not included with POI Version)
Safety information leaflet:	1 pcs

WARRANTY

Fixture Standard:	2 years
Fixture POI:	5 years

ORDERING INFORMATION

PJ-2.5 RGBW Black:	50200001
PL-2.5 RGBW Custom color:	50200003
PJ-2.5 RGBW POI Black:	50201001
PJ-2.5 RGBW POI White:	50201003
PJ-2.5 RGBW POI Custom color:	50201005

ACCESSORIES

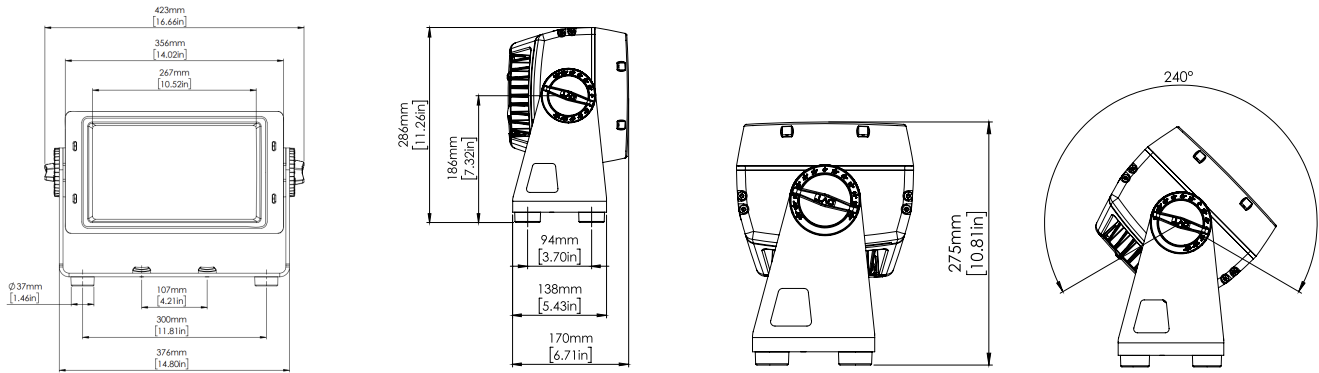
Uploader Dongle

Note: This product is designed and manufactured in compliance with UL Standard 1573. (Pending)
For detailed compliance information, please refer to the full product manual or contact the manufacturer.

PHYSICAL DIMENSIONS

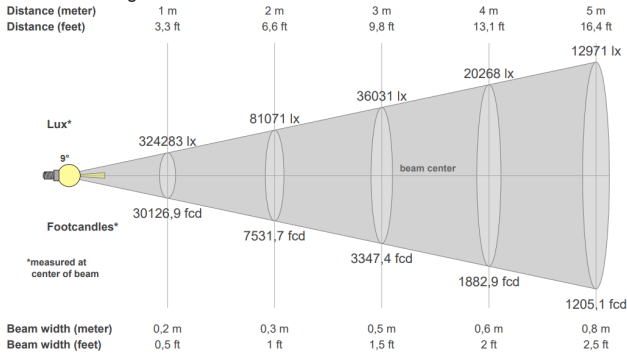
PHYSICAL DIMENSIONS

Depth:	17 cm (6.71 inch.)
Width:	42.3 cm (16.65 inch.)
Height:	28.6cm (11.26 inch.)
Weight:	10.6 kg (23.37 Lbs.)
Tilt Range:	0° - + / - 120°



PHOTOMETRIC

Narrow Beam Angle



Wide Beam Angle

