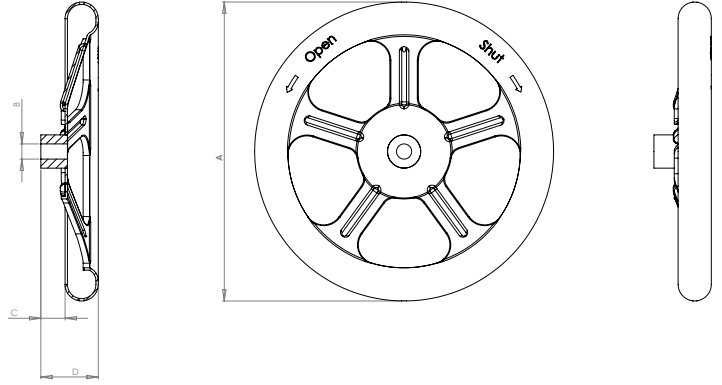


# WOLLENBERG

## STAINLESS STEEL INDUSTRIAL HANDWHEELS



TYPE	DIAMETER Ø MM	HEIGHT WITHOUT HUB MM	NO. OF SPOKES
I 100 Ø / S	Ø 100	14	3
I 125 Ø / S	Ø 125	12	3
I 160 Ø / S	Ø 160	16	4
I 200 Ø / S	Ø 200	22	4
I 250 Ø / S	Ø 250	24	5
I 315 Ø / S	Ø 315	32	5
I 400 Ø / S	Ø 400	44	5

**Material:** AISI 316.

**Surface treatment:** Pickling.

**Stamping:** The handwheels are stamped with "Open" and "Shut".

For larger quantities, we can supply special requirements for hub measurements and in different stainless-steel qualities.