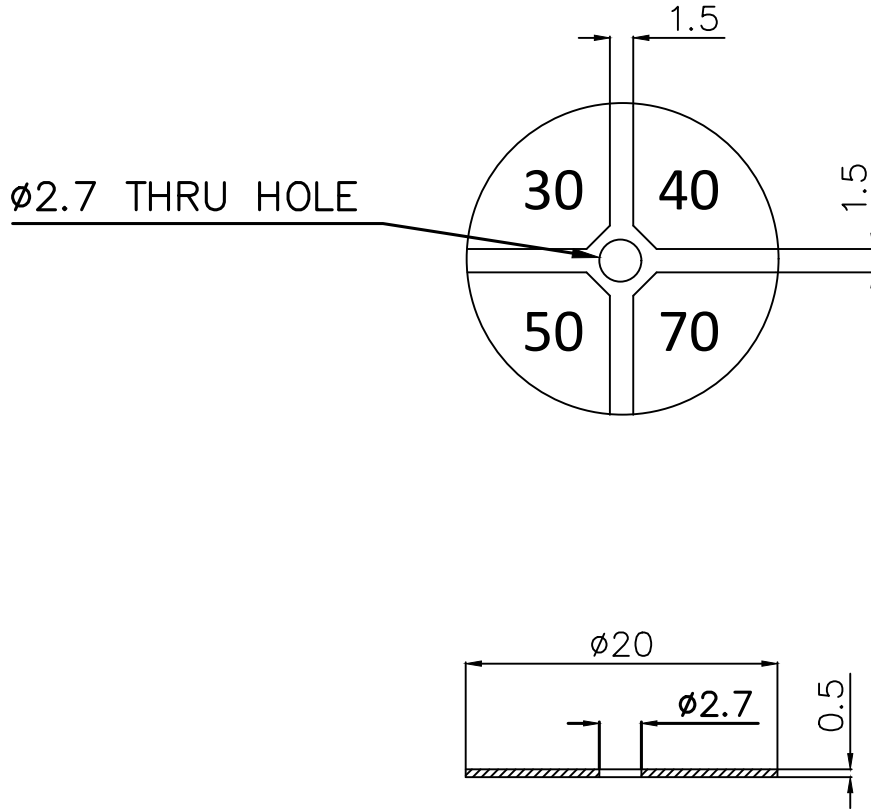


DRG No  
BL/D13244

REMOVE ALL SHARP EDGES  
UNLESS SPECIFIED



THIRD ANGLE PROJECTION  
DO NOT SCALE - ASK

USED ON



WHEN THE RELATIVE REACHES STATES VALUE, THE  
INDICATOR SHALL CHANGE FROM BLUE TO PINK

THIS DESIGN IS THE PROPERTY OF BROWNELL  
LTD, AND MAY NOT BE COPIED OR REPRODUCED  
WITHOUT THEIR PRIOR WRITTEN PERMISSION

MATERIAL	PROTECTIVE FINISH				
IMPREGNATED FILTER PAPER	-----				
		ORIGINAL	1	06/01/20	
EST. WT. -----	SURFACE ROUGHNESS	CHANGE	MOD No	ISSUE	DATE
DIMS IN mm		TOLERANCES (UNLESS STATED)	LINEAR	ANGULAR	
SCALE 2:1	-----		0 = ±0.5 0.0 = ±0.25 0.00 = ±0.05	±0.5°	
 RED DOT = ORIGINAL  BLACK DOT = COPY	<b>BROWNELL LTD</b> LONDON NW10 7XF		DRAWN SKS	CHECKED NP	
TITLE HUMIDITY INDICATOR			DRAWING No. BL/D13244		