

DRG No  
BL/D12071 INST

REMOVE ALL SHARP EDGES UNLESS SPECIFIED

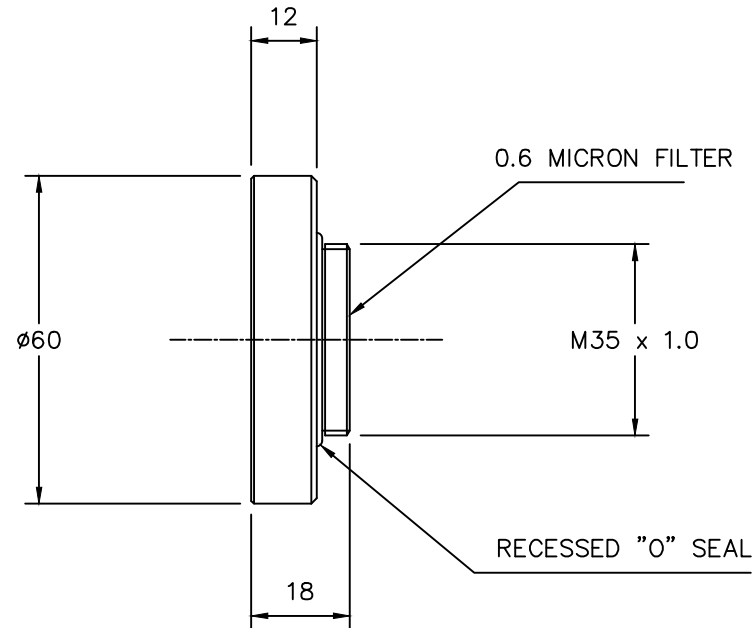
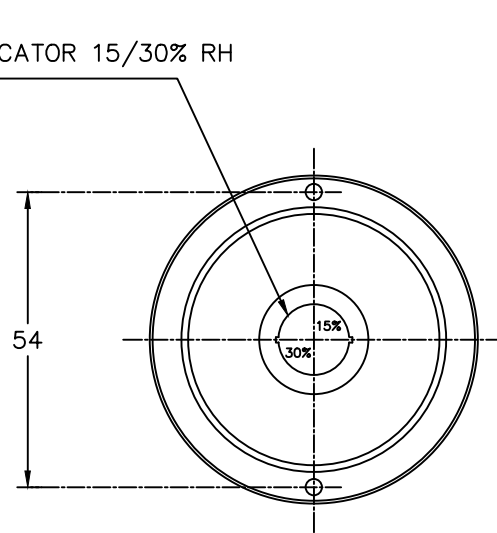
THIRD ANGLE PROJECTION

DO NOT SCALE - ASK

USED ON -----

THIS DRAWING IS THE PROPERTY OF BROWNELL LTD. AND MAY NOT BE COPIED OR REPRODUCED WITHOUT THEIR PRIOR WRITTEN PERMISSION

HUMIDITY INDICATOR 15/30% RH



DESICCANT CONTENTS

NOMINAL CONTENTS 11 GRAMS  
DESICCANT TYPE: MOLECULAR SIEVES

ENVIRONMENTAL PERFORMANCE: DEF STAN 44-2

ORIGINAL		1	25/06/15
CHANGE	MOD No	ISSUE	DATE

MATERIAL ALUMINIUM ALLOY	PROTECTIVE FINISH ANODISED & DYED BLACK	TOLERANCES UNLESS OTHERWISE STATED	ANGULAR DIMS. ±0.5°	LINEAR DIMS. DIN 16901-130	BROWNELL Ltd. LONDON NW10 7XF	<input type="checkbox"/> RED DOT=ORIGINAL <input type="checkbox"/> BLACK DOT=COPY	DRAWN RB	CHECKED NP
		SURFACE TEXTURE						
EST. WT.	-----	DIMENSIONS IN in/mm	mm		TITLE NATO STOCK No 4440-99-807-6411	DRAWING NUMBER		
		SCALE (ORIGINAL)	1:1		DESICCANT CONTAINER DEHUMIDIFIER	BL/D12071 INST		