



Desiccators

AGM CONTAINER CONTROLS, INC.
 PO BOX 40020 • TUCSON ARIZONA 85717-0020
 TEL: 800-995-5590 (520) 881-2130 • FAX: (520) 881-4983
 www.agmcontainer.com • sales@agmcontainer.com

5" ACCESS PORTS

TA595

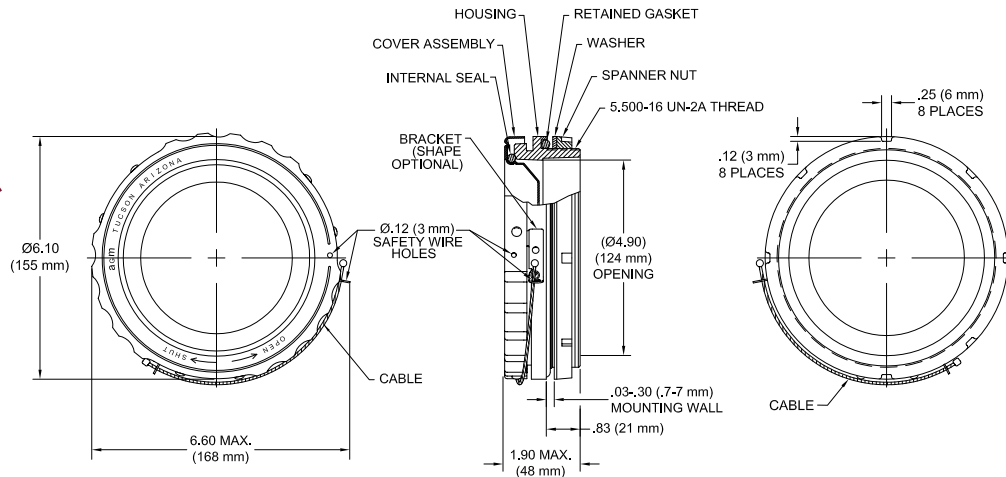
These ports provide access to desiccant, data or accessory storage areas in containers, eliminating the labor of opening the container, and reducing the exposure of the contents to hostile environments. In addition, they can be used as temporary through-holes for cabling and tubing. This larger version of our time tested TA495 has a clear opening of 4.80" (122 mm) dia. Port is installed through a 5.52" (140 mm) dia. hole. Gasket, washer and mounting nut are furnished.

Designed for mounting on a smooth, flat surface; may not seal tightly if surface is curved, domed or too rough.

Tamper-Proof. Holes through cover and flange of port are provided for safety wiring and inspector's seal.



NEW!



Weights

- TA5951.55 lbs. (703 grams)
 - TA595-31.54 lbs. (699 grams)
 - TA595-51.51 lbs. (685 grams)
- Torque value for spanner nut: 200 in. - lbs. (22.50 N•m)

Materials & Finishes

Aluminum alloys, conversion coated per MIL-C-5541. Stainless steel cover, passivated. Buna-N o-ring and gasket.

TA595-3



Similar to TA595 (above), except that TA595-3 has a 1.050" (26 mm) dia. hole in cover for mounting Series TA238, TA240-R, TA330, TA333-R or TA340-R Two-Way Breather Valves. (Order valves separately.)

TA595-5



Similar to TA595 (above), except that TA595-5 has a 2.015" (52 mm) dia. hole in cover for mounting a TA770-R Two-Way Breather Valve. (Order valves separately.)