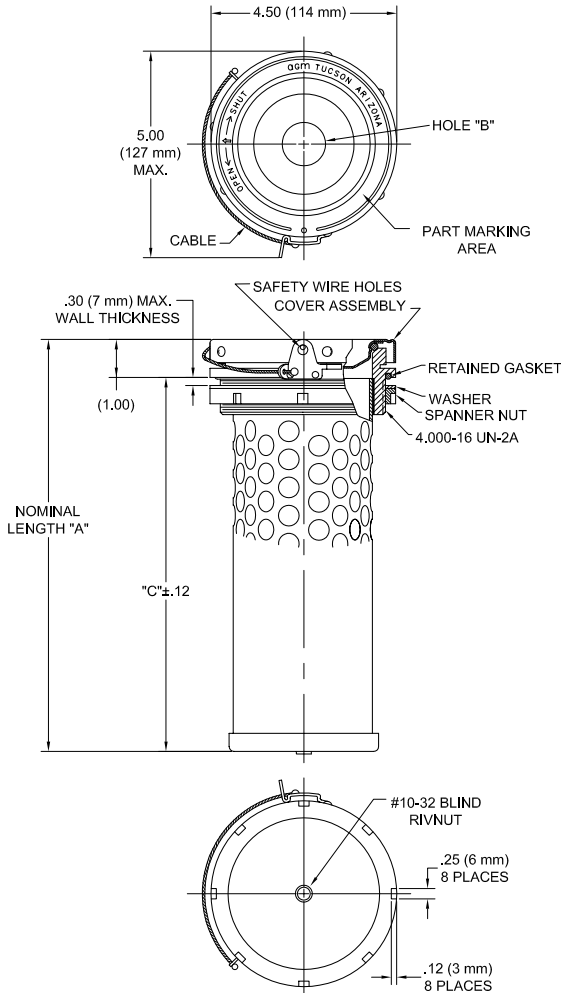




Desiccators

AGM CONTAINER CONTROLS, INC.
 PO BOX 40020 • TUCSON ARIZONA 85717-0020
 TEL: 800-995-5590 (520) 881-2130 • FAX: (520) 881-4983
 www.agmcontainer.com • sales@agmcontainer.com

DESICCANT BASKETS Meet SAE Specification AS5153



TA486



These desiccant baskets are designed to hold MIL-D-3464 bagged desiccant for use in shipping and storage containers. They are available in a variety of sizes, holding up to 48 units of desiccant. Bags can be replaced easily, without opening the entire container. Installed through a 4.015" (102 mm) dia. hole in the container wall. Each basket comes complete with spanner nut, washer and retained gasket. Holes through the cover and flange are provided for safety wiring and inspector's seal. Cover can be supplied with a 1.05" (26 mm) dia. hole for mounting a Two-Way Breather Valve (TA238, TA240-R, TA330, TA333-R or TA340-R), a 1.265" (32 mm) dia. hole for mounting a TA440-R Two-Way Breather Valve, or with a 2.015" (52 mm) dia. hole for mounting a TA770-R Two Way Breather Valve. (Order valves separately.)

TA486 - [] - []

Dash numbers for Length and Hole Size may be used in any combination (i.e. TA486-12-5).

Dash No.	Length & Desiccant Capacity A	Dash No.	Hole B	Dimensions C	Weight
--- 7	7 Inches 16 Units (Two 8-Unit Bags)	No Dash	No Hole	6.75" (171 mm)	1.25 lbs. (568 grams)
---12	12 Inches 32 Units (Four 8-Unit Bags)	---3	1.050" Dia. Hole (26 mm)	11.75" (298 mm)	1.40 lbs. (636 grams)
---14	14 Inches 40 Units (Four 8-Unit + Two 4-Unit Bags)	---4	1.265" Dia. Hole (32 mm)	13.75" (349 mm)	1.45 lbs. (658 grams)
---17	17 Inches 48 Units (Six 8-Unit Bags)	---5	2.015" Dia. Hole (52 mm)	16.75" (425 mm)	1.60 lbs. (726 grams)

Note: To calculate the number of units of desiccant required, multiply the volume of the container, in cu. ft., by 1.2. Additional desiccant may be required to compensate for dunnage (source: MIL-STD-2073-1C, Method 50).

Materials & Finishes

Aluminum alloys, conversion coated per MIL-C-5541. Stainless steel cover, passivated. MS28775 o-ring and gasket.

Torque value for spanner nut:
 150 in. - lbs. (17 N•m)