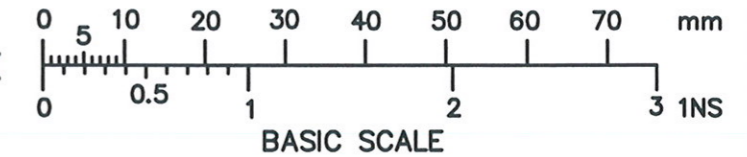


DRG No
BL/D9882/02 INST

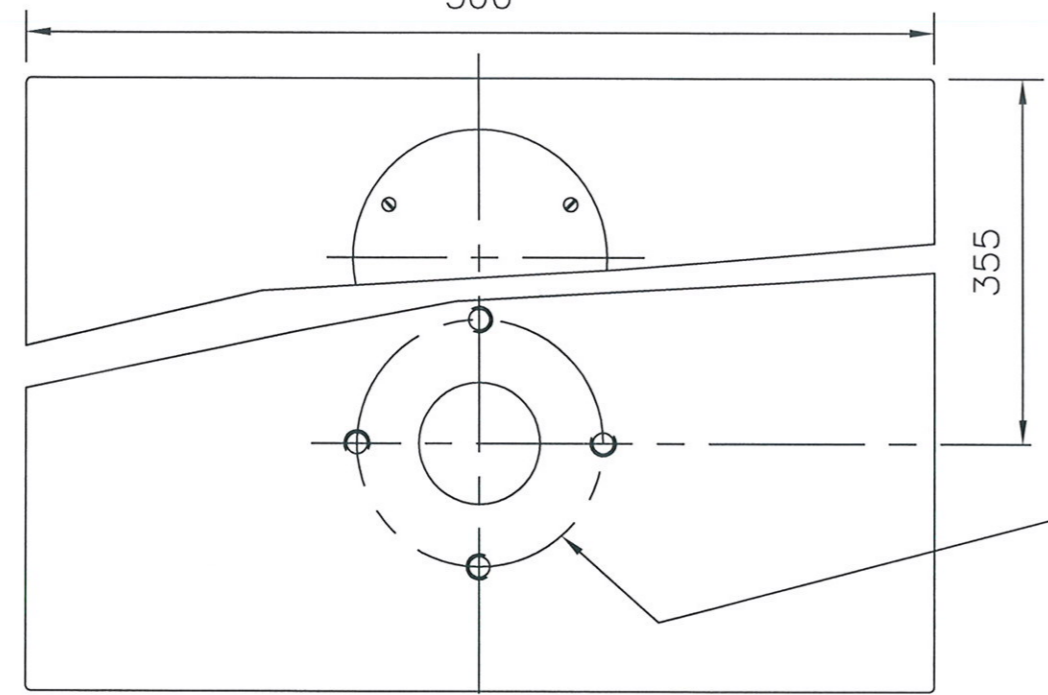
THIRD ANGLE PROJECTION



USED ON

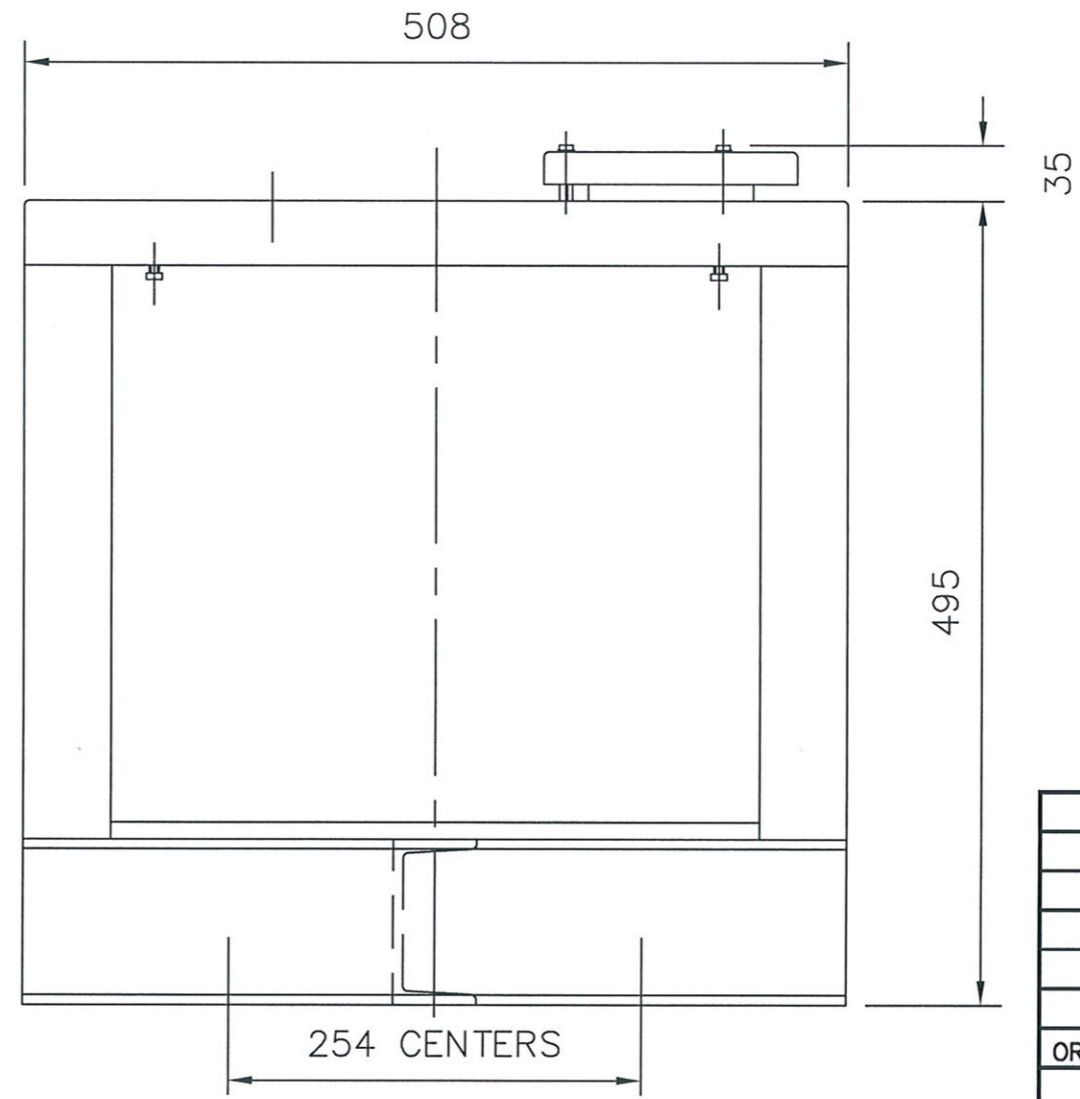
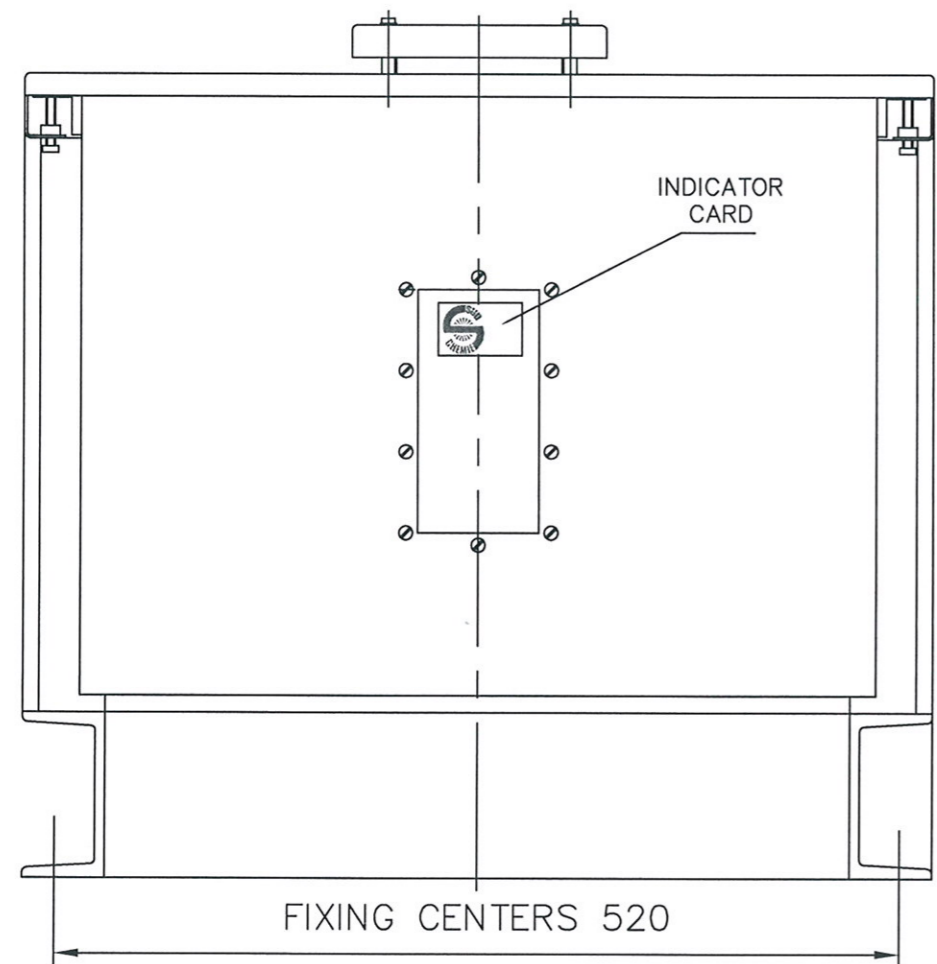
REMOVE ALL SHARP EDGES UNLESS SPECIFIED

DO NOT SCALE - ASK



NOTE :-
FILLED WITH 50Kg OF MOLECULAR SIEVE DESICCANT

FIXINGS FOR ANSI CLASS 125 80mm FLANGE (M16)



THIS DESIGN IS THE PROPERTY OF BROWNELL LIMITED AND MAY NOT BE COPIED OR REPRODUCED WITHOUT THEIR WRITTEN PERMISSION

ORIGINAL		1	09-03-06
CHANGE	MOD No	ISSUE	DATE

<input type="radio"/> RED DOT=ORIGINAL <input type="radio"/> BLACK DOT=COPY	DRAWN PK	CHECKED
--	-------------	-------------

MATERIAL	STEEL
EST. WT.	

PROTECTIVE FINISH	PHOSPHATE DEF STAN
	03-11 CLASS 2
	POLYESTER POWDER
	COAT BLUE

TOLERANCES	±3
DIMENSIONS IN in/mm	mm
SURFACE ROUGHNESS	
SCALE (ORIGINAL)	1:5

SÜD-CHEMIE

TITLE
MODEL M630 TANK DRYER

DRAWING NUMBER	BL/D9882/02 INST
----------------	------------------