

DRAWING NUMBER  
BL/D9882/01 INST

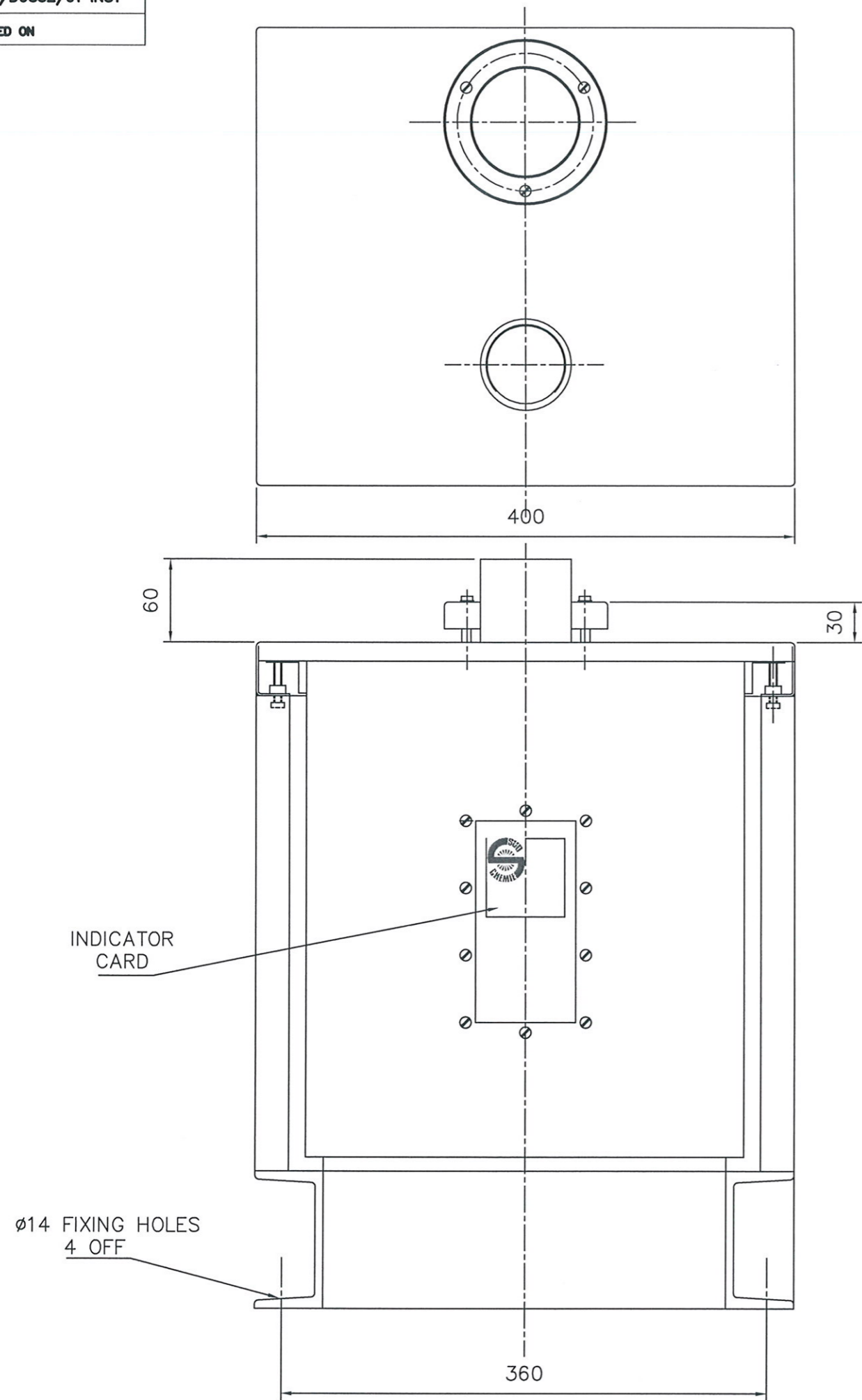
USED ON

THIRD ANGLE PROJECTION

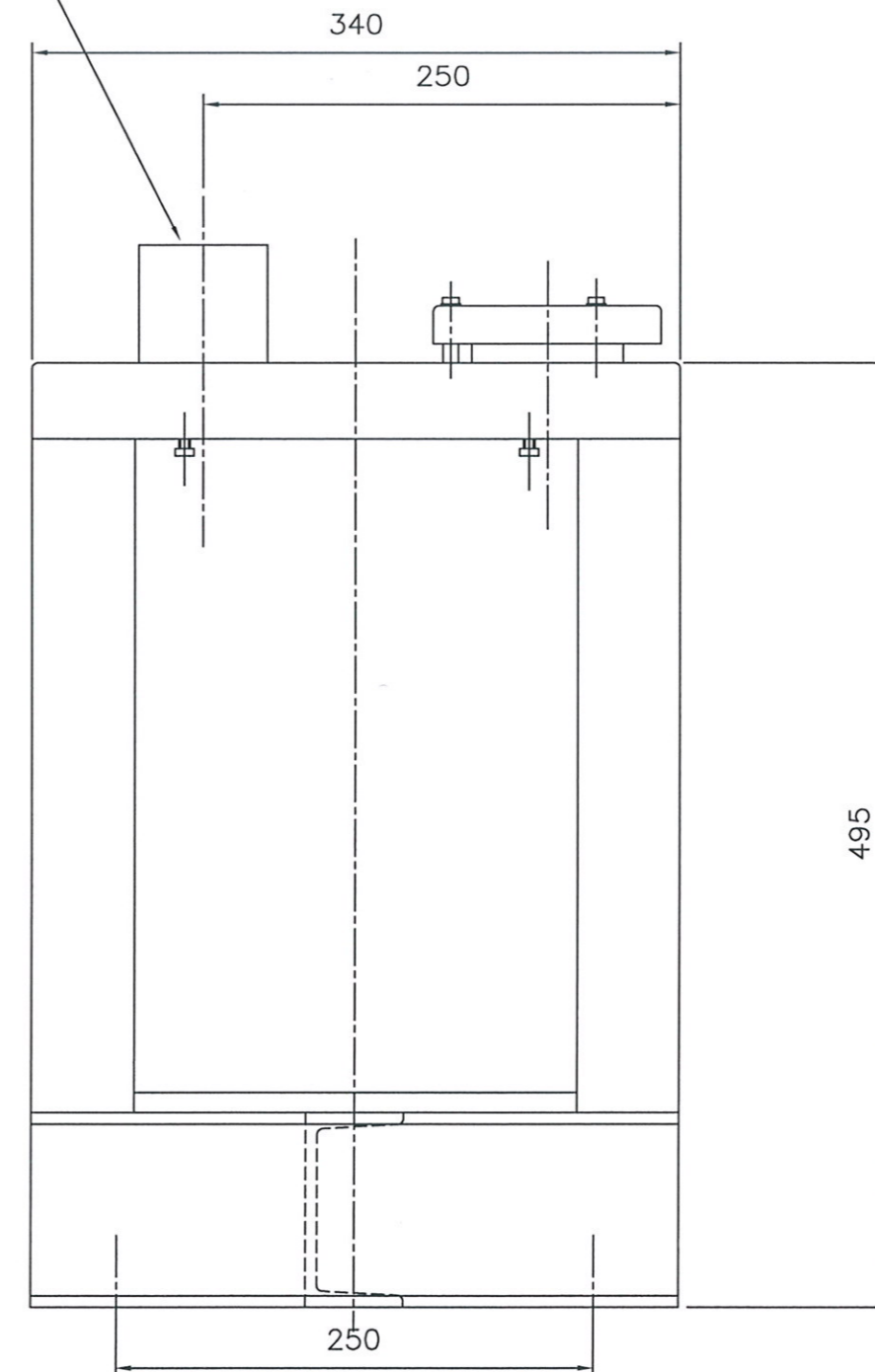


NOTE :-

FILLED WITH MOLECULAR SIEVE DESICCANT



2" BSP



THIS DESIGN IS THE PROPERTY OF BROWNELL Ltd. AND MAY NOT BE COPIED OR REPRODUCED WITHOUT THEIR PRIOR WRITTEN PERMISSION

MATERIAL	PROTECTIVE FINISH	TOLERANCES		TITLE MODEL M620 TANK DRYER
MILD STEEL	PHOSPHATE TO DEF STAN 03-11 CLASS 2 POLYESTER POWDER COAT BLUE	±3		
		DIMENSIONS IN In/mm MM SURFACE ROUGHNESS SCALE NTS		
ORIGINAL CHANGE MOD No 1 ISSUE DATE 09-03-08				DRAWN PK CHECKED
RED DOT = ORIGINAL BLACK DOT = COPY				DRAWING NUMBER BL/D9882/01 INST